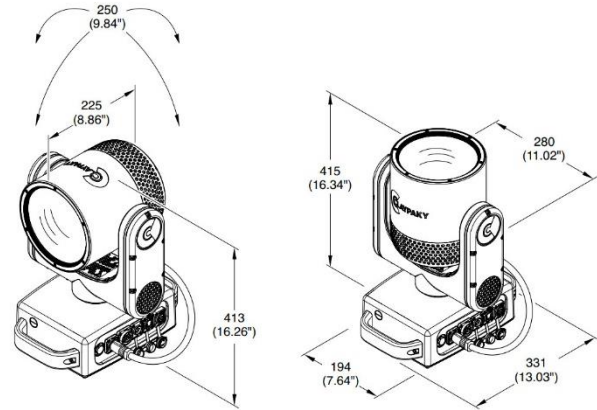


MODEL: MINI-B AQUA

CODE: CL3026

October 10, 2024



LIGHT SOURCE:

- Source type:** • LED RGBW
- Power:** • 40 W x 7 (Osram)
- LED life expectancy:** • 50.000 Hrs L70*

* It may vary depending on various factors, such as the type of use and environment

PHOTOMETRIC DATA:

- Zoom range:** • 4 – 55°
- Lm output:** • 3420 Lm (integrating sphere)
- Front lens:** • Ø 153 mm
- Optical syt.:** • High efficiency

NOISE LEVEL:

- Controlled by:** • Able to control linearly the speed of the fans
- Fixed presets:**
 - Silent mode: 40.2 dBA
 - Auto mode: 46.0 dBA
 - Theatre mode: 46.8 dBA
 - Constant mode: 50.3 dBA

CONTROL & CONNECTIONS:

- Personalities:** • 4 modes with 17 / 21 / 21 / 29 control channels
- Protocols:** • DMX, Art-Net, sACN, RDM
- Connectors:**
 - Locking 5 pin XLR IN/OUT
 - RJ45 IN
- Power con.:** • PowerCon True1 IN/OUT
- Web server:** • Built-in
- CloudIO:** • Fully compatible

DYNAMIC EFFECTS:

- Colors:**
 - RGBW color mixing – 16 bit
 - Linear CTO 2500K to 8000K
 - Preset macro colors
- Movement:**
 - Tilt: 260° (16 bit) – MAX speed: 3,5 sec
 - Pan: 540° (16 bit) – MAX speed: 5,4 sec
 - Automatic repositioning
 - Fast / Normal / Boost speed selectable by functional channel
- Beam:**
 - Motorized zoom

Dimmer / Shutter:

- High resolution electronic dimmer - 24 bit, 5 curves
- High speed electronic strobe

HARDWARE & SOFTWARE:

- Long life self-charging battery
- Display graphic LCD backlit B/W display
- Firmware upload from another fixture
- Firmware upgrade via Web Server
- Diagnostic
- DMX monitoring
- Remote access through RDM

HOUSING:

- Aluminium and steel structure with plastic covers
- Two side handles for transportation
- IP66 protection rate
- Working in any position
- Hanging system: with fast-lock Omega clamps (1/4 turn) on the base
- Optional safety chain

ELECTRICAL:**Operating voltage:**

- 100-120 / 200-240V, 50/60 Hz

In/Out MAX:

- In/Out Max 2300VA, 6(2) fixtures @ 200-240Vac (@ 100-120Vac); Max 8.25A

Power Supply:

- Electronic auto range with active PFC

MAX power consumption:

- 375 W

THERMAL SPECIFICATION:**MAX Ambient temperature:**

- 45°C (113°F)

Min Ambient Temperature:

- -20°C (-4°F)

MAX temp. of the ext. surface:

- 90°C (194°F)

Total heat dissipation:

- 956,6 BTU/hr ±10% / 1008 kJ/hr ±10%

SAFETY SPECIFICATIONS:**Min. dist. of illum. objs:**

- 0,2 m (8")

Min. dist. from flamm. mat.:

- 0,2 m (8")

Protections:

- Thermally protected power supply (overheating and cooling failure)
- Forced ventilation with axial fans
- Fuse T6.3A – 250V + battery fuse

COMPLIANCE:**CE Marking (in conformity to the following):**

- 2014/35/EU – Low Voltage Directive (LVD)
- 2014/30/EU – Electromagnetic Compatibility (EMC)
- 2011/65/EU - Restriction of the use of certain hazardous substances (RoHS)
- 2009/125/EC - EcoDesign requirements for Energy-related Products (ErP)

UKCA conforms to UK regulations:

- S.I. 2016 N.1101
- S.I. 2016 N.1091
- S.I. 2012 N.3032
- S.I. 2021 N.745

cMETLus LISTED:

- UL 1573:2003
- CSA C22.2 N.166:2015

PACKAGING:

- Carton box + Polystyrene
- Carton box + Foam shell
- Flight case + Foam shell (6 positions)

WEIGHT & SIZES:**Weight:**

- 12,7 Kg (27,9 lbs)

Base dim.s:

- 194 x 331 mm
- 7,64 x 13,03 In

Height with vert. head (h):

- 415 mm
- 16,34 In

Dist. b/t 2 fixt:

- 400 mm

ACCESSORIES:**Omega bracket:**

- 1x433060/801 (Included)

ETL Power:

- CAB02B-802 (Optional)*
* Cord 1.5 m (bare end with IP65 PowerConTrue1 conn.)

Flight case (6 pos):

- CF1023F (Optional)

Foam shell:

- F21339/001 (Optional)

Safety Chain:

- 105015/802 (Optional)

Clamp:

- C21070 (Optional)

PowerCon True1 con.:

- CON000 (Optional)