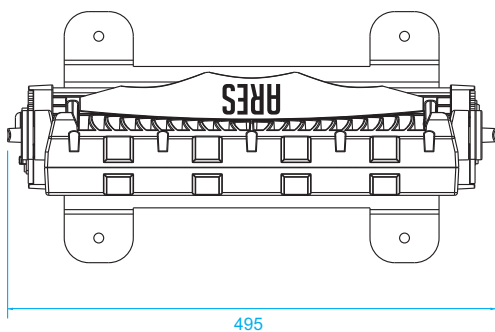
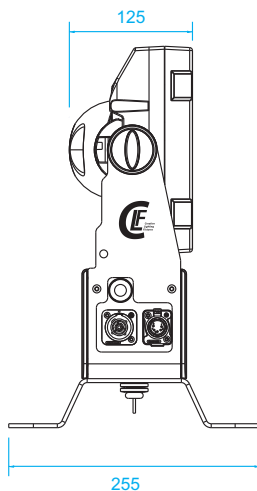
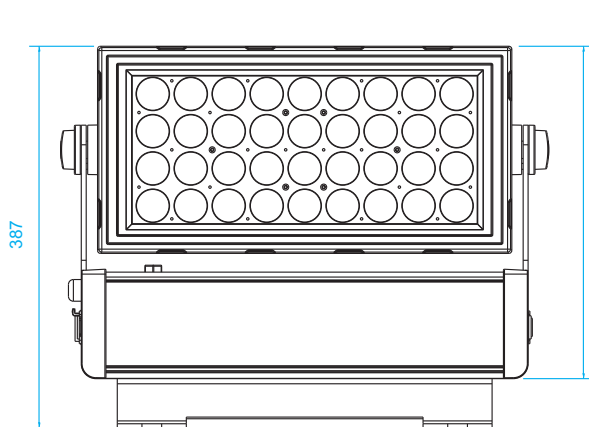


# TABLE OF CONTENTS

<b>Dimensions</b>	<b>1</b>
<b>Safety Information</b>	<b>2</b>
<b>Fixture overview</b>	<b>4</b>
<b>Introduction</b>	<b>5</b>
<b>AC power</b>	<b>5</b>
Power voltage	5
Power cables	6
Relaying power to other devices	6
<b>Data link</b>	<b>6</b>
Tips for reliable data transmission	6
<b>Physical installation</b>	<b>7</b>
Fastening the fixture to a flat surface	7
<b>Setup</b>	<b>8</b>
Control panel and menu navigation	8
DMX address setting	8
W-DMX Control	8
Control Mode	9
Calibration options	10
Auto Show	10
Master / Slave	10
<b>Personality</b>	<b>11</b>
Fans	11
Led power	11
Dimmer Speed	11
Key-Lock	11
W-DMX	11
Calibration	11
Refresh rate	11
LCD brightness	11
DMX Hold	11
<b>Information</b>	<b>11</b>
Software type	11
Usage time	11
Temperature	11
<b>Factory reset</b>	<b>11</b>
<b>DMX protocols</b>	<b>12</b>
<b>Onboard control menus</b>	<b>23</b>
<b>Blow-out Diagram</b>	<b>24</b>
<b>Specifications</b>	<b>25</b>

# DIMENSIONS

ALL DIMENSIONS ARE IN MILLIMETERS



# SAFETY INFORMATION



## WARNING!

Read the safety precautions in this section before installing, powering, operating or servicing this product

The following symbols are used to identify important safety information on the product and in this manual:



**DANGER!**  
Safety hazard.  
Risk of severe injury or death.



**DANGER!**  
Hazardous voltage. Risk of lethal or severe electric shock.



**WARNING!**  
Fire hazard.



**WARNING!**  
LED light emission. Risk of eye injury.



**WARNING!**  
Burn hazard. Hot surface. Do not touch.



**WARNING!**  
Wear protective eyewear.



**WARNING!**  
Refer to user manual.



**Warning! Risk Group 3 (high risk) LED product according to EN 62471. Do not look into the beam at a distance of less than 3 meters from the front surface of the product. Do not view the light output with optical instruments or any device that may concentrate the beam.**

This product is for professional use only. It is not for household use.



This product presents risks of severe injury or death due to fire and burn hazards, electric shock and falls.

Read this manual before installing, powering or servicing the fixture, follow the safety precautions listed below and observe all warnings in this manual and printed on the fixture. If you have questions about how to operate the fixture safely, please contact your supplier.



### PROTECTION FROM ELECTRIC SHOCK

- Disconnect the fixture from AC power before removing or installing any cover or part and when not in use.
- Always ground (earth) the fixture electrically.
- Use only a source of AC power that complies with local building and electrical codes and has both overload and ground-fault (earth-fault) protection.
- Before using the fixture, check that all power distribution equipment and cables are in perfect condition and rated for the current requirements of all connected devices.
- Power input and through put cables must be rated 20A minimum, have three conductors 1.5 mm<sup>2</sup> (16 AWG) minimum conductor size and an outer cable diameter of 5 - 15 mm. Cables must be hard usage type (SJT or equivalent) and heat-resistant to 90° C minimum.
- Use only PowerCON TRUE 1<sup>®</sup> cable connectors to connect to power input sockets. Use only PowerCON TRUE 1<sup>®</sup> cable connectors to connect to power through put sockets.
- Isolate the fixture from power immediately if the power plug or any seal, cover, cable, or other component is damaged, defective, deformed, wet or showing signs of overheating. Do not reapply power until repairs have been completed.



## DO NOT EXPOSE THE FIXTURE TO RAIN OR MOISTURE

- Refer any service operation not described in this manual to a qualified technician.
- Socket outlets used to supply the fixture with power or external power switches must be located near the fixtures and easily accessible so that the fixtures can easily be disconnected from power.

## PROTECTION FROM BURNS AND FIRE



- Do not operate the fixture if the ambient temperature ( $T_a$ ) exceeds 40°C.
- The exterior of the fixture becomes hot during use. Avoid contact by persons and materials. Allow the fixture to cool for at least 10 minutes before handling.
- Keep all combustible materials (e.g. fabric, wood, paper) at least 100 mm away from the fixture.
- Keep flammable materials well away from the fixture.



- Ensure that there is free and unobstructed airflow around the fixture.
- Do not illuminate surfaces within 200 mm of the fixture.
- Do not attempt to bypass thermostatic switches or fuses.
- If you relay power from one fixture to another using power throughput sockets, do not connect more than ten the fixture in total to each other in an interconnected chain.
- Connect only other the fixture to fixture power throughput sockets. Do not connect any other type of device to these sockets.
- Do not connect any other type of device to these sockets.
- Do not stick filters, masks or other materials to any optical component, besides the optional CLF Ares filters.
- Do not modify the fixture in any way not described in this manual.
- Do not use fixture on a dimmer.

## PROTECTION FROM INJURY



- Do not look continuously at LEDs from a distance of less than 3 meters from the front surface of the fixture without protective eyewear such as shade 4-5 welding goggles. At less than this distance, the LED emission can cause eye injury or irritation. At distances of 3 meters and above, light output is harmless to the naked eye provided that the eye's natural aversion response is not overcome.

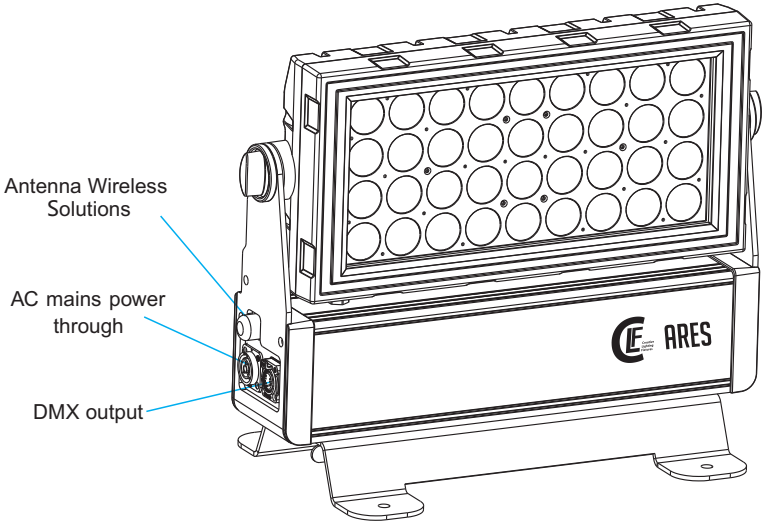
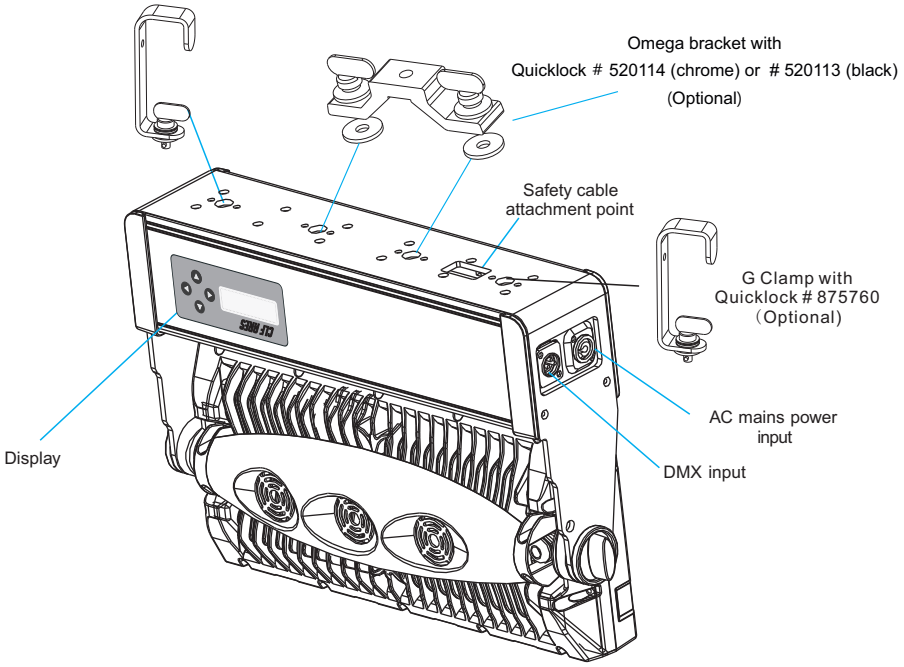


- Do not look at LEDs with magnifiers, telescopes, binoculars or similar optical instruments that may concentrate the light output.
- Ensure that persons are not looking at the LEDs from within 3 meters when the product lights up suddenly. This can happen when power is applied, when the product receives a DMX signal, or when SERVICE menu items are selected.



- Fasten the fixture securely to a fixed surface or structure when in use.
- Ensure that any supporting structure and/or hardware used can hold at least 10 times the weight of all the devices they support.
- Allow enough clearance around the fixture to ensure that it cannot collide with an object or another fixture when it moves.
- Check that all external covers and rigging hardware are fastened securely.
- Block access below the work area and work from a stable platform whenever installing, servicing or moving the fixture.
- Do not operate the fixture with missing or damaged covers, shields or any optical component.

# FIXTURE OVERVIEW



# INTRODUCTION

## SUPERIOR LED WASH

### 4 INDIVIDUALLY CONTROLLABLE SEGMENTS

- Adjustable beam angle several options available (for example 36° and 54°)
- Designed for multiple applications
- Deep and saturated colors
- Flicker free operation
- Solid housing
- Wireless DMX



### USING FOR THE FIRST TIME

**Warning!** Read “Safety Information” on page 2 before installing, powering, operating or servicing the fixture. Before applying power to the fixture:

- Check that the local AC mains power source is within the fixture’s power voltage and frequency ranges.
- See “Power cables and power plug” on page 6. Install a PowerCON TRUE 1<sup>®</sup> power input connector on a suitable power cable.

# AC POWER



**Warning!** Read “Safety Information” starting on page 2 before connecting the fixtures to AC mains power.

**Warning!** For protection from electric shock, the fixture must be grounded (earthed). The power distribution circuit must be equipped with a fuse or circuit breaker and ground-fault (earth-fault) protection.



**Warning!** Socket outlets or external power switches used to supply the fixture with power must be located near the fixture and easily accessible so that the fixtures can easily be disconnected from power.

**Important!** Do not insert or remove live PowerCON TRUE 1<sup>®</sup> connectors to apply or cut power, as this may cause arcing at the terminals that will damage the connectors.

**Important!** Do not use an external dimming system to supply power to the fixture, as this may cause damage to the fixture that is not covered by the product warranty.



### POWER VOLTAGE

**Warning!** Check that the voltage range specified on the fixtures serial number label matches the local AC mains power voltage before applying power to the fixture.

The fixtures accepts AC mains power at 100-240 V nominal, 50/60 Hz. Do not apply AC mains power to the fixture at any other voltage than specified.

## POWER CABLES

Power input and throughput cables must be rated 20A minimum, have three conductors 1.5 mm<sup>2</sup> (16 AWG) minimum conductor size and an outer cable diameter of 5 - 15 mm. Cables must be hard usage type (SJT or equivalent) and heat-resistant to 90°C minimum. In the EU the cable must be HAR approved or equivalent.

If you install a power plug on the power cable, install a grounding-type (earthed) plug that is rated 20A minimum. Follow the plug manufacturer's instructions. Table 1 shows standard wire color-coding schemes and some possible pin identification schemes; if pins are not clearly identified.



Wire Color (EU models)	Wire Color (US models)	Conductor	Symbol	Screw (US)
Brown	Black	Live	L	Yellow or Brass
Blue	White	Neutral	N	Silver
Yellow/Green	Green	Ground (earth)	 or 	Green

Table 1 : Wire color-coding and power connections

## RELAYING POWER TO OTHER DEVICES

Warning! Do not connect more than ten fixtures in total to AC mains power in one interconnected chain. Power can be relayed to another device via the PowerCON TRUE 1<sup>®</sup> throughput socket.

If you daisy chain the fixtures in a chain so that they all draw AC mains power via the first fixture, certain points must be respected:

- A heavy duty, three-conductor, 16 AWG or 1.5 mm<sup>2</sup> cable with SJT or equivalent cable jacket must be used to connect the first fixture to AC mains power.
- PowerCON TRUE 1<sup>®</sup> connectors must be used to draw AC mains power from the fixtures power throughput sockets and yellow PowerCON TRUE 1<sup>®</sup> connectors must be used to supply power at the fixture's power input sockets.

# DATA LINK

DMX 512 data is required in order to control a fixture via DMX. The fixture has 3-pin XLR connectors for DMX data input and output. The pin-out on all connectors is pin 1 = shield, pin 2 = cold (-), and pin 3 = hot (+).

## TIPS FOR RELIABLE DATA TRANSMISSION

To connect the fixture to data:

1. Connect the DMX data output from the controller to the 3-pin XLR connector of the nearest fixture.
2. Connect the DMX output of the fixture closest to the controller to the DMX input of the next fixture and continue connecting fixtures output to input.



# PHYSICAL INSTALLATION

Warning! The fixture must be either fastened to a flat surface such as a stage or wall, or clamped to a truss or similar structure in any orientation using a rigging clamp.

Warning! If the fixture can cause injury or damage if it falls, attach an approved safety cable to one of the safety cable attachment points on the base (see "Fixture overview" on page 4).

Check that all surfaces to be illuminated are minimum 200 mm. from the fixture, that combustible materials (wood, fabric, paper, etc.) are located at least 100 mm. from the fixture, that there is free airflow around the fixture and that there are no flammable materials nearby.

## FASTENING THE FIXTURE TO A FLAT SURFACE

The fixture can be fastened to a fixed flat surface that is oriented at any angle. Check that the surface can support at least 10 times the weight of all fixtures and equipment to be installed on it.



Warning! The supporting surface must be hard and flat or air vents in the base may be blocked, which will cause overheating. Fasten the fixture securely. Do not place the fixture on a surface or leave it where it can be moved or can fall over. Attach a securely anchored safety cable to the safety cable attachment point (see "Fixture overview" on page 4) if the fixture is to be installed in any location where it may fall and cause injury or damage if the primary attachment fails.

1. Block access under the work area. Working from a stable platform, hang the fixture on the truss. Tighten the rigging clamp.
2. Secure the fixture against clamp failure with a secondary attachment such as an approved safety cable that is rated for the weight of the fixture using one of the attachment points at the edges of the base (see "Fixture overview" on page 4). Do not use any other part of the fixture as a safety cable attachment point.

# OUTDOOR IP-RATED FIXTURES

CLF products are applied to official classified IP norm levels. For this product the IP rate is IP65 when using the covers for the chassis parts. IP65 means according classified norm: shielded against dust and pressurized water from any side. Typical use for outdoor rated stage events with normal weather acceptance. So no heavy rain, because then the water pressure over exceeds the IP norm.

## SOLID OBJECT

1	Protected against a solid object greater than 50mm such as a hand.
2	Protected against a solid object greater than 12.5mm such as a finger.
3	Protected against a solid object greater than 2.5mm such as a screwdriver.
4	Protected against a solid object greater than 1mm such as a wire.
5	Dust protected. Limited ingress of dust permitted. Will not interfere with operation of the equipment.
6	Dust tight. No ingress of dust.

## MOISTURE

1	Protected against vertical falling drops of water. Limited ingress permitted.
2	Protected against vertical falling drops of water with enclosure tilted up to 15 degrees from the vertical. Limited ingress permitted.
3	Protected against sprays of water up to 60 degrees from the vertical. Limited ingress permitted.
4	Protected against water splashes from all directions. Limited ingress permitted.
5	Protected against jets of water. Limited ingress permitted.
6	Protected against powerful jets of water. Limited ingress permitted.
7	Protected against the effects of immersion in water between 15cm and 1m for 30 minutes.
8	Protected against the effects of immersion in water under pressure for long periods.

IP **6** **5**  
Ingress Protection

## CONDENSATION/MOISTURE INSIDE HOUSING

Because of high humidity levels during production condensation can occur inside the housing. This is mostly visible on the coldest parts of the fixture, like the front glass or display. To prevent this problem we work with special conditioned areas for outdoor fixtures. Because of the breathing air valves it is still possible to get humidity inside the fixture. This will evaporate slowly. Do not put wet fixtures in a flightcase, this will help humidity enter the fixture.

## FIXTURES TEMPERATURE SPECIFICATION

Make sure the fixture is used within its working temperature range. Outside this range we cannot guarantee correct operation.

## TEMPORARY USAGE:

Stage event equipment is designed with temporary use in mind. Our product purpose is for theatre, festival, (disco) clubs and indoor & outdoor concerts. Long term use is possible but keep in mind that it can bring damage to aging materials and affect the coated surface (i.e. stainless steel). Rubber sealings will be negatively affected after long-term UV exposure and should be checked by qualified service technicians over time.

Tighten screws too hard will also affect the IP-rating.

# SETUP

Warning! Read "Safety Information" on page 2 before installing, powering, operating the fixture.

## CONTROL PANEL AND MENU NAVIGATION

The onboard control panel and backlit graphic display are used to set the fixture's DMX address, configure individual fixture settings (personality), read out data and execute service utilities. See "Onboard control menus" on page 23 for a complete list of menus and commands.

Using the control buttons

- To enter the menu select [MODE].
- Press [UP] and [DOWN] to scroll within a menu or adjust values.
- To enter a menu, select a function or apply a selection, press [ENTER].
- To escape a function or move back one level in the menu structure, press [MODE].
- Holding down the "UP" and "DOWN" button for more than 3 seconds, the MENU display will rotate 180°.



## DMX ADDRESS SETTING

The DMX address, also known as the start channel, is the first channel used to receive instructions from the controller. For independent control, each fixture must be assigned its to a separate channel .

The DMX address can be configured by using the DMX ADDRESS menu in the control panel. For setting the DMX address press [ENTER] before you can change the address.

- The main screen will show a 'dot' and the backlight will be switched off when a DMX signal is detected.

## W-DMX CONTROL

Go to the W-DMX section in the main menu, press the button "UP" to switch off Wireless DMX or disconnect with all connected Transmitters.

Press the button "DOWN" to set the unit in the "ready to connect with all not connected transmitters" mode. If you press the mode button on the Wireless solution transmitter all the units in this mode will be connected.

If the unit is successfully connected in the home display the sign "▲ : V " appears. If the unit is not connected to a transmitter in the home display the sign "▲ : X ". If the unit is switched off in the home display the sign "▲ : OFF ".

- Holding the **MENU** and **ENTER** button for more than 3 seconds, the wireless board will reset.
- Do not use Wireless DMX and Wired DMX at the same time because it will give unwanted interference

## CONTROL MODE

DMX control mode is selected in the CONTROL MODE menu. The fixture can be controlled with 7 DMX control modes:

	4ch	9ch	11ch	16ch	21ch	27ch	30ch
RGBW	✓	✓	✓			✓	
Strobe		✓	✓		✓	✓	✓
Dimmer		✓	✓		✓	✓	✓
Function set		✓	✓		✓	✓	✓
Macro color		✓	✓			✓	✓
CCT		✓	✓			✓	
LED block ( Dimmer)							✓
LED block ( RGBW)				✓	✓	✓	✓
LED block ( Dimmer speed)							✓
Effect			✓		✓	✓	✓
Dimmer / Auto speed			✓		✓	✓	✓

# CALIBRATION OPTIONS

There are three options for Static color:

## 1. NO CALIBRATION

Color calibration mode is off.

## 2. MANUAL

Manual calibration mode, RGBW to white is according your custom calibration.  
Manual calibration can be calibrated by the control panel and DMX channel.

### Calibrate by control panel

1. Press MODE button until **【MANUAL】** is displayed, press ENTER
2. Enter the password
3. Set **【Red,Green,Blue】** to white by custom calibration

### Calibrate by DMX channel

channel 3 is set to 245-249 to enter dmx controller calibration

Channel	Function	Value	Setting
1	No function	000 - 255	
2	No function	000 - 255	
3	No function	000 - 255	
4	Calibrate by DMX channel	000 - 229 230 - 234 240 - 244 245 - 249 250 - 255	No function come back to DMX mode No function turn on manual calibration mode by dmx control Illuminate display Value must be held for 3 seconds to activate.
5	Save Correction	000 - 254 255	No function Save Correction, Value must be held for 3 seconds to activate.
6	Red	000 - 255	0 - 100%
7	Green	000 - 255	0 - 100%
8	Blue	000 - 255	0 - 100%
9	White	000 - 255	0 - 100%

## 3. FACTORY CALIBRATION MODE

Fixture is calibrated in the factory by radiant machine.

# AUTO SHOW

The auto function gives 20 automatically RGBW color combinations which are running without any DMX console.  
Hit [ENTER] to adjust the speed of the program from 1-20

1) Auto 1	6) Auto 6	11) Auto 11	16) Auto 16
2) Auto 2	7) Auto 7	12) Auto 12	17) Auto 17
3) Auto 3	8) Auto 8	13) Auto 13	18) Auto 18
4) Auto 4	9) Auto 9	14) Auto 14	19) Auto 19
5) Auto 5	10) Auto 10	15) Auto 15	20) Auto 1-19 cycle

# MASTER/SLAVE

You can choose between master or slave functioning. The chosen mode is visible in the homescreen. The fixture will automatically go to slave function when no DMX signal is offered.

# PERSONALITY

Here you can set all functions for the fixture.

FANS	Cooling fan speed regulated Three level of silent mode to control the output Max. cooling fan speed
Led power	High ( High output mode ) Normal ( Normal output mode ) Theater ( Gentle output mode )
Dimmer Speed	Normal ( normal dimming speed ) Smooth ( slowest dimming speed )
KEY-Lock	Locks all the button functions. Standard unlocking password is (MODE+UP+MODE+DOWN+MODE+UP+MODE+DOWN+ENTER)
W-DMX	ON (Turn on the Wireless Board) OFF (Turn off the Wireless Board) RESET (Reset the Wireless Board)
CALIBRATION	NO CALIBRATION = Color calibration mode off. MANUAL = Manual calibration mode, RGBW to white is custom calibration FACTORY = Factory calibration mode, RGBW to white is factory calibration
Refresh rate	Controls the Flicker frequency of the fixture 600 1200 2400 4800
LCD brightness	Set the LCD display brightness(1-10)
DMX HOLD	DMX HOLD = The fixture will remember on last values when you disconnect DMX NO DMX HOLD = The fixture has no output when you disconnect DMX

## INFORMATION

Software type	Shows software version (Vx.x)
Usage time	Use of time and use time reset (password)
Temperature	LED board current temperature

## FACTORY RESET

Resets the fixture to its factory default settings.  
Please reboot power before reset takes effect.

# DMX PROTOCOLS

4 CH	Function	Value	Setting	Remark
1	Red	000 - 255	0-100%	
2	Green	000 - 255	0-100%	
3	Blue	000 - 255	0-100%	
4	White	000 - 255	0-100%	

9 CH	Function	Value	Setting	Remark
1	Shutter	000 - 019	Shutter closed	
		020 - 024	Shutter open	
		025 - 064	Strobe 1 (fast → slow)	
		065 - 069	Shutter open	
		070 - 0 84	Strobe 2: opening pulse (fast → slow)	
		085 - 089	Shutter open	
		090 - 104	Strobe 3: closing pulse (fast → slow)	
		105 - 109	Shutter open	
		110 - 124	Strobe 4: random strobe (fast → slow)	
		125 - 129	Shutter open	
		130 - 144	Strobe 5: random opening pulse (fast → slow)	
		145 - 149	Shutter open	
		150 - 164	Strobe 6: random closing pulse (fast → slow)	
		165 - 169	Shutter open	
		170 - 184	Strobe 7: burst pulse (fast → slow)	
185 - 189	Shutter open			
190 - 204	Strobe 8: random burst pulse (fast → slow)			
205 - 209	Shutter open			
210 - 224	Strobe 9: sine wave (fast → slow)			
225 - 229	Shutter open			
230 - 244	Strobe 10: burst (fast → slow)			
245 - 255	Shutter open			
2	Dimmer	000 - 255	0 - 100%	
3	Fixture control settings	000 - 039	No function	<sup>1</sup> Value must be held for 3 seconds to activate. <sup>2</sup> Please refer the page 10. (calibrate by DMX control) Value must be held for 3 seconds to activate.
		040 - 044	SILENT MODE (level 1)-70% fan speed <sup>1</sup>	
		045 - 049	SILENT MODE (level 2)-40% fan speed <sup>1</sup>	
		050 - 054	SILENT MODE (level 3)-20% fan speed <sup>1</sup>	
		055 - 059	No function	
		060 - 064	Fan mode FULL <sup>1</sup>	
		065 - 069	Fan mode REGULATED <sup>1</sup>	
		070 - 074	Fan mode SILENT <sup>1</sup>	
		075 - 089	No function	
		090 - 094	Calibrated color output mode- COLOR CALIB = ON <sup>1</sup>	
		095 - 099	Manual calibration output mode -Manual calibration = ON <sup>1</sup>	
		100 - 104	Raw color output mode- COLOR CALIB = OFF <sup>1</sup>	
		105 - 109	No function	
		110 - 114	Normal dimming, speed of changes unrestricted <sup>1</sup>	
		115 - 119	No function	
		120 - 124	Smooth dimming, speed of changes restricted slightly <sup>1</sup>	
		125 - 129	No function	
		130 - 134	600 Hz Refresh rate	
		135 - 139	1200Hz Refresh rate	
		140 - 144	2400Hz Refresh rate	
		145 - 149	4800Hz Refresh rate	
		150 - 154	No Function	
		155 - 159	WDMX - ON <sup>1</sup>	
		160 - 164	No Function	
		165 - 169	WDMX - OFF <sup>1</sup>	
170 - 174	No Function			
175 - 179	WDMX - RESET <sup>1</sup>			
180 - 184	No Function			
185 - 189	Led power(Normal mode) <sup>1</sup>			
190 - 194	Led power(Theater mode) <sup>1</sup>			
195 - 199	Led power(High mode) <sup>1</sup>			
200 - 239	No Function			
240 - 244	DMX Manual calibration mode <sup>2</sup>			
245 - 249	No Function			
250 - 255	illuminate display			
4	Macro color	000 - 004 005 - 255	No Function Macro color rotation effect	
5	Red	000 - 255	0 - 100%	
6	Green	000 - 255	0 - 100%	
7	Blue	000 - 255	0 - 100%	
8	White	000 - 255	0 - 100%	
9	CCT	000 - 009 010 - 255	No function 10000K - 2500K	



11 CH	Function	Value	Setting	Remark
1	Shutter	000 - 019	Shutter closed	
		020 - 024	Shutter open	
		025 - 064	Strobe 1 (fast → slow)	
		065 - 069	Shutter open	
		070 - 084	Strobe 2: opening pulse (fast → slow)	
		085 - 089	Shutter open	
		090 - 104	Strobe 3: closing pulse (fast → slow)	
		105 - 109	Shutter open	
		110 - 124	Strobe 4: random strobe (fast → slow)	
		125 - 129	Shutter open	
		130 - 144	Strobe 5: random opening pulse (fast → slow)	
		145 - 149	Shutter open	
		150 - 164	Strobe 6: random closing pulse (fast → slow)	
		165 - 169	Shutter open	
		170 - 184	Strobe 7: burst pulse (fast → slow)	
185 - 189	Shutter open			
190 - 204	Strobe 8: random burst pulse (fast → slow)			
205 - 209	Shutter open			
210 - 224	Strobe 9: sine wave (fast → slow)			
225 - 229	Shutter open			
230 - 244	Strobe 10: burst (fast → slow)			
245 - 255	Shutter open			
2	Dimmer	000 - 255	0 - 100%	
3	Fixture control settings	000 - 039	No function	<sup>1</sup> Value must be held for 3 seconds to activate. <sup>2</sup> Please refer the page 10. (calibrate by DMX control) Value must be held for 3 seconds to activate.
		040 - 044	SILENT MODE (level 1)-70% fan speed <sup>1</sup>	
		045 - 049	SILENT MODE (level 2)-40% fan speed <sup>1</sup>	
		050 - 054	SILENT MODE (level 3)-20% fan speed <sup>1</sup>	
		055 - 059	No function	
		060 - 064	Fan mode FULL <sup>1</sup>	
		065 - 069	Fan mode REGULATED <sup>1</sup>	
		070 - 074	Fan mode SILENT <sup>1</sup>	
		075 - 089	No function	
		090 - 094	Calibrated color output mode- COLOR CALIB = ON <sup>1</sup>	
		095 - 099	Manual calibration output mode -Manual calibration = ON <sup>1</sup>	
		100 - 104	Raw color mode- COLOR CALIB = OFF <sup>1</sup>	
		105 - 109	No function	
		110 - 114	Normal dimming, speed of changes unrestricted <sup>1</sup>	
		115 - 119	No function	
		120 - 124	Smooth dimming, speed of changes restricted slightly <sup>1</sup>	
		125 - 129	No function	
		130 - 134	600 Hz Refresh rate	
		135 - 139	1200Hz Refresh rate	
		140 - 144	2400Hz Refresh rate	
		145 - 149	4800Hz Refresh rate	
		150 - 154	No Function	
		155 - 159	WDMX - ON <sup>1</sup>	
		160 - 164	No Function	
		165 - 169	WDMX - OFF <sup>1</sup>	
170 - 174	No Function			
175 - 179	WDMX - RESET <sup>1</sup>			
180 - 184	No Function			
185 - 189	Led power(Normal mode) <sup>1</sup>			
190 - 194	Led power(Theater mode) <sup>1</sup>			
195 - 199	Led power(High mode) <sup>1</sup>			
200 - 239	No Function			
240 - 244	DMX Manual calibration mode <sup>2</sup>			
245 - 249	No Function			
250 - 255	illuminate display			
4	Macro color	000 - 004	No Function	
		005 - 255	Macro color rotation effect	
5	Red	000 - 255	0 - 100%	
6	Green	000 - 255	0 - 100%	
7	Blue	000 - 255	0 - 100%	
8	White	000 - 255	0 - 100%	

11 CH	Function	Value	Setting	Remark
9	CCT	000 - 009	No function	
		010 - 255	10000K - 2500K	
10	Auto program	000 - 009	No function	
		010 - 019	Auto program 1	
		020 - 029	Auto program 2	
		030 - 039	Auto program 3	
		040 - 049	Auto program 4	
		050 - 059	Auto program 5	
		060 - 069	Auto program 6	
		070 - 079	Auto program 7	
		080 - 089	Auto program 8	
		090 - 099	Auto program 9	
		100 - 109	Auto program 10	
		110 - 119	Auto program 11	
		120 - 129	Auto program 12	
		130 - 139	Auto program 13	
		140 - 149	Auto program 14	
		150 - 159	Auto program 15	
		160 - 169	Auto program 16	
		170 - 179	Auto program 17	
		180 - 189	Auto program 18	
		190 - 199	Auto program 19	
200 - 255	Auto program 20(Auto program 1-19 cycle)			
11	Speed	000	No function	
		1-255	AUTO Speed or Dimmer Speed	

16 CH	Function	Value	Setting	Remark
1	LED block 1 -Red 1	000 - 255	0-100%	
2	LED block 1 -Green 1	000 - 255	0-100%	
3	LED block 1 -Blue 1	000 - 255	0-100%	
4	LED block 1 -White 1	000 - 255	0-100%	
5	LED block 2 -Red 2	000 - 255	0-100%	
6	LED block 2 -Green 2	000 - 255	0-100%	
7	LED block 2 -Blue 2	000 - 255	0-100%	
8	LED block 2 -White 2	000 - 255	0-100%	
9	LED block 3 -Red 3	000 - 255	0-100%	
10	LED block 3 -Green 3	000 - 255	0-100%	
11	LED block 3 -Blue 3	000 - 255	0-100%	
12	LED block 3 -White 3	000 - 255	0-100%	
13	LED block 4 -Red 4)	000 - 255	0-100%	
14	LED block 4 -Green 4	000 - 255	0-100%	
15	LED block 4 -Blue 4	000 - 255	0-100%	
16	LED block 4 -White 4	000 - 255	0-100%	

21 CH	Function	Value	Setting	Remark
1	Shutter	000 - 019	Shutter closed	
		020 - 024	Shutter open	
		025 - 064	Strobe 1 (fast → slow)	
		065 - 069	Shutter open	
		070 - 084	Strobe 2: opening pulse (fast → slow)	
		085 - 089	Shutter open	
		090 - 104	Strobe 3: closing pulse (fast → slow)	
		105 - 109	Shutter open	
		110 - 124	Strobe 4: random strobe (fast → slow)	
		125 - 129	Shutter open	
		130 - 144	Strobe 5: random opening pulse (fast → slow)	
		145 - 149	Shutter open	
		150 - 164	Strobe 6: random closing pulse (fast → slow)	
		165 - 169	Shutter open	
		170 - 184	Strobe 7: burst pulse (fast → slow)	
		185 - 189	Shutter open	
190 - 204	Strobe 8: random burst pulse (fast → slow)			
205 - 209	Shutter open			
210 - 224	Strobe 9: sine wave (fast → slow)			
225 - 229	Shutter open			
230 - 244	Strobe 10: burst (fast → slow)			
245 - 255	Shutter open			
2	Dimmer	000 - 255	0 - 100%	
3	Fixture control settings	000 - 039	No function	1 Value must be held for 3 seconds to activate.
		040 - 044	SILENT MODE (level 1)-70% fan speed <sup>1</sup>	
		045 - 049	SILENT MODE (level 2)-40% fan speed <sup>1</sup>	2 Please refer the page 10. (calibrate by DMX control) Value must be held for 3 seconds to activate.
		050 - 054	SILENT MODE (level 3)-20% fan speed <sup>1</sup>	
		055 - 059	No function	
		060 - 064	Fan mode FULL <sup>1</sup>	
		065 - 069	Fan mode REGULATED <sup>1</sup>	
		070 - 074	Fan mode SILENT <sup>1</sup>	
		075 - 089	No function	
		090 - 094	Calibrated color output mode- COLOR CALIB = ON <sup>1</sup>	
		095 - 099	Manual calibration output mode - Manual calibration = ON <sup>1</sup>	
		100 - 104	Raw color mode- COLOR CALIB = OFF <sup>1</sup>	
		105 - 109	No function	
		110 - 114	Normal dimming, speed of changes unrestricted <sup>1</sup>	
		115 - 119	No function	
		120 - 124	Smooth dimming, speed of changes restricted slightly <sup>1</sup>	
		125 - 129	No function	
		130 - 134	600 Hz Refresh rate	
		135 - 139	1200Hz Refresh rate	
		140 - 144	2400Hz Refresh rate	
		145 - 149	4800Hz Refresh rate	
		150 - 154	No Function	
155 - 159	WDMX - ON <sup>1</sup>			
160 - 164	No Function			
165 - 169	WDMX - OFF <sup>1</sup>			
170 - 174	No Function			
175 - 179	WDMX - RESET <sup>1</sup>			
180 - 184	No Function			
185 - 189	Led power(Normal mode) <sup>1</sup>			
190 - 194	Led power(Theater mode) <sup>1</sup>			
195 - 199	Led power(High mode) <sup>1</sup>			
200 - 239	No Function			
240 - 244	DMX Manual calibration mode <sup>2</sup>			
245 - 249	No Function			
250 - 255	illuminate display			
4	Red 1	000 - 255	LED block 1 - Red 1 (0-100%)	
5	Green 1	000 - 255	LED block 1 - Green 1 (0-100%)	
6	Blue 1	000 - 255	LED block 1 - Blue 1 (0-100%)	
7	White 1	000 - 255	LED block 1 - White 1 (0-100%)	
8	Red 2	000 - 255	LED block 2 - Red 2 (0-100%)	

21 CH	Function	Value	Setting	Remark
9	Green 2	000 - 255	LED block 2 - Green 2 (0-100%)	
10	Blue 2	000 - 255	LED block 2 - Blue 2 (0-100%)	
11	White 2	000 - 255	LED block 2 - White 2 (0-100%)	
12	Red 3	000 - 255	LED block 3 - Red 3 (0-100%)	
13	Green 3	000 - 255	LED block 3 - Green 3 (0-100%)	
14	Blue 3	000 - 255	LED block 3 - Blue 3 (0-100%)	
15	White 3	000 - 255	LED block 3 - White 3 (0-100%)	
16	Red 4	000 - 255	LED block 4 - Red 4 (0-100%)	
17	Green 4	000 - 255	LED block 4 - Green 4 (0-100%)	
18	Blue 4	000 - 255	LED block 4 - Blue 4 (0-100%)	
19	White 4	000 - 255	LED block 4 - White 4 (0-100%)	
20	Auto program	000 - 009	No function	
		010 - 019	Auto program 1	
		020 - 029	Auto program 2	
		030 - 039	Auto program 3	
		040 - 049	Auto program 4	
		050 - 059	Auto program 5	
		060 - 069	Auto program 6	
		070 - 079	Auto program 7	
		080 - 089	Auto program 8	
		090 - 099	Auto program 9	
		100 - 109	Auto program 10	
		110 - 119	Auto program 11	
		120 - 129	Auto program 12	
		130 - 139	Auto program 13	
		140 - 149	Auto program 14	
		150 - 159	Auto program 15	
		160 - 169	Auto program 16	
170 - 179	Auto program 17			
180 - 189	Auto program 18			
190 - 199	Auto program 19			
200 - 255	Auto program 20(Auto program 1-19 cycle)			
21	Speed	000 1-255	No function AUTO Speed or Dimmer Speed	

27 CH	Function	Value	Setting	Remark
1	Shutter	000 - 019	Shutter closed	
		020 - 024	Shutter open	
		025 - 064	Strobe 1 (fast → slow)	
		065 - 069	Shutter open	
		070 - 084	Strobe 2: opening pulse (fast → slow)	
		085 - 089	Shutter open	
		090 - 104	Strobe 3: closing pulse (fast → slow)	
		105 - 109	Shutter open	
		110 - 124	Strobe 4: random strobe (fast → slow)	
		125 - 129	Shutter open	
		130 - 144	Strobe 5: random opening pulse (fast → slow)	
		145 - 149	Shutter open	
		150 - 164	Strobe 6: random closing pulse (fast → slow)	
		165 - 169	Shutter open	
		170 - 184	Strobe 7: burst pulse (fast → slow)	
		185 - 189	Shutter open	
190 - 204	Strobe 8: random burst pulse (fast → slow)			
205 - 209	Shutter open			
210 - 224	Strobe 9: sine wave (fast → slow)			
225 - 229	Shutter open			
230 - 244	Strobe 10: burst (fast → slow)			
245 - 255	Shutter open			
2	Dimmer	000 - 255	0 - 100%	
3	Fixture control settings	000 - 039	No function	1 Value must be held for 3 seconds to activate.
		040 - 044	SILENT MODE (level 1)-70% fan speed <sup>1</sup>	
		045 - 049	SILENT MODE (level 2)-40% fan speed <sup>1</sup>	2 Please refer the page 10. (calibrate by DMX control) Value must be held for 3 seconds to activate.
		050 - 054	SILENT MODE (level 3)-20% fan speed <sup>1</sup>	
		055 - 059	No function	
		060 - 064	Fan mode FULL <sup>1</sup>	
		065 - 069	Fan mode REGULATED <sup>1</sup>	
		070 - 074	Fan mode SILENT <sup>1</sup>	
		075 - 089	No function	
		090 - 094	Calibrated color output mode- COLOR CALIB = ON <sup>1</sup>	
		095 - 099	Manual calibration output mode- Manual calibration = ON <sup>1</sup>	
		100 - 104	Raw color mode- COLOR CALIB = OFF <sup>1</sup>	
		105 - 109	No function	
		110 - 114	Normal dimming, speed of changes unrestricted <sup>1</sup>	
		115 - 119	No function	
		120 - 124	Smooth dimming, speed of changes restricted slightly <sup>1</sup>	
		125 - 129	No function	
		130 - 134	600 Hz Refresh rate	
		135 - 139	1200Hz Refresh rate	
		140 - 144	2400Hz Refresh rate	
		145 - 149	4800Hz Refresh rate	
		150 - 154	No Function	
155 - 159	WDMX - ON <sup>1</sup>			
160 - 164	No Function			
165 - 169	WDMX - OFF <sup>1</sup>			
170 - 174	No Function			
175 - 179	WDMX - RESET <sup>1</sup>			
180 - 184	No Function			
185 - 189	Led power(Normal mode) <sup>1</sup>			
190 - 194	Led power(Theater mode) <sup>1</sup>			
195 - 199	Led power(High mode) <sup>1</sup>			
200 - 239	No Function			
240 - 244	DMX Manual calibration mode <sup>2</sup>			
245 - 249	No Function			
250 - 255	illuminate display			
4	Macro color	000 - 004	No Function	
		005 - 255	Macro color rotation effect	
5	Red	000 - 255	Red dimmer (0-100%)	
6	Green	000 - 255	Green dimmer (0-100%)	
7	Blue	000 - 255	Blue dimmer (0-100%)	
8	White	000 - 255	White dimmer (0-100%)	

27 CH	Function	Value	Setting	Remark
9	CCT	000 - 009 010 - 255	No function 10000K - 2500K	
10	Red 1	000 - 255	LED block 1 - Red 1 (0-100%)	CH 5 must activated
11	Green 1	000 - 255	LED block 1 - Green 1 (0-100%)	CH 6 must activated
12	Blue 1	000 255	LED block 1 - Blue1 (0-100%)	CH 7 must activated
13	White 1	000 - 255	LED block 1 - White 1 (0-100%)	CH 8 must activated
14	Red 2	000 - 255	LED block 2 - Red 2 (0-100%)	CH 5 must activated
15	Green 2	000 - 255	LED block 2 - Green 2 (0-100%)	CH 6 must activated
16	Blue 2	000 - 255	LED block 2 - Blue 2 (0-100%)	CH 7 must activated
17	White 2	000 - 255	LED block 2 - White 2 (0-100%)	CH 8 must activated
18	Red 3	000 - 255	LED block 3 - Red 3 (0-100%)	CH 5 must activated
19	Green 3	000 - 255	LED block 3 - Green 3 (0-100%)	CH 6 must activated
20	Blue 3	000 - 255	LED block 3 - Blue 3 (0-100%)	CH 7 must activated
21	White 3	000 - 255	LED block 3 - White 3 (0-100%)	CH 8 must activated
22	Red 4	000 - 255	LED block 4 - Red 4 (0-100%)	CH 5 must activated
23	Green 4	000 - 255	LED block 4 - Green 4 (0-100%)	CH 6 must activated
24	Blue 4	000 - 255	LED block 4 - Blue 4 (0-100%)	CH 7 must activated
25	White 4	000 - 255	LED block 4 - White 4 (0-100%)	CH 8 must activated
26	Auto program	000 - 009 010 - 019 020 - 029 030 - 039 040 - 049 050 - 059 060 - 069 070 - 079 080 - 089 090 - 099 100 - 109 110 - 119 120 - 129 130 - 139 140 - 149 150 - 159 160 - 169 170 - 179 180 - 189 190 - 199 200 - 255	No function Auto program 1 Auto program 2 Auto program 3 Auto program 4 Auto program 5 Auto program 6 Auto program 7 Auto program 8 Auto program 9 Auto program 10 Auto program 11 Auto program 12 Auto program 13 Auto program 14 Auto program 15 Auto program 16 Auto program 17 Auto program 18 Auto program 19 Auto program 20(Auto program 1-19 cycle)	
27	Speed	000 1-255	No function AUTO Speed or Dimmer Speed	

30 CH	Function	Value	Setting	Remark
1	Shutter	000 - 019	Shutter closed	
		020 - 024	Shutter open	
		025 - 064	Strobe 1 (fast → slow)	
		065 - 069	Shutter open	
		070 - 084	Strobe 2: opening pulse (fast → slow)	
		085 - 089	Shutter open	
		090 - 104	Strobe 3: closing pulse (fast → slow)	
		105 - 109	Shutter open	
		110 - 124	Strobe 4: random strobe (fast → slow)	
		125 - 129	Shutter open	
		130 - 144	Strobe 5: random opening pulse (fast → slow)	
		145 - 149	Shutter open	
		150 - 164	Strobe 6: random closing pulse (fast → slow)	
		165 - 169	Shutter open	
		170 - 184	Strobe 7: burst pulse (fast → slow)	
185 - 189	Shutter open			
190 - 204	Strobe 8: random burst pulse (fast → slow)			
205 - 209	Shutter open			
210 - 224	Strobe 9: sine wave (fast → slow)			
225 - 229	Shutter open			
230 - 244	Strobe 10: burst (fast → slow)			
245 - 255	Shutter open			
2	Dimmer	000 - 255	0 - 100%	
3	Fixture control settings	000 - 039	No function	1 Value must be held for 3 seconds to activate.
		040 - 044	SILENT MODE (level 1)-70% fan speed <sup>1</sup>	
		045 - 049	SILENT MODE (level 2)-40% fan speed <sup>1</sup>	2 Please refer the page 10. (calibrate by DMX control) Value must be held for 3 seconds to activate.
		050 - 054	SILENT MODE (level 3)-20% fan speed <sup>1</sup>	
		055 - 059	No function	
		060 - 064	Fan mode FULL <sup>1</sup>	
		065 - 069	Fan mode REGULATED <sup>1</sup>	
		070 - 074	Fan mode SILENT <sup>1</sup>	
		075 - 089	No function	
		090 - 094	Calibrated color output mode- COLOR CALIB = ON <sup>1</sup>	
		095 - 099	Manual calibration output mode- Manual calibration = ON <sup>1</sup>	
		100 - 104	Raw color mode- COLOR CALIB = OFF <sup>1</sup>	
		105 - 109	No function	
		110 - 114	Normal dimming, speed of changes unrestricted <sup>1</sup>	
		115 - 119	No function	
		120 - 124	Smooth dimming, speed of changes restricted slightly <sup>1</sup>	
		125 - 129	No function	
		130 - 134	600 Hz Refresh rate	
		135 - 139	1200Hz Refresh rate	
		140 - 144	2400Hz Refresh rate	
		145 - 149	4800Hz Refresh rate	
		150 - 154	No Function	
		155 - 159	WDMX - ON <sup>1</sup>	
		160 - 164	No Function	
		165 - 169	WDMX - OFF <sup>1</sup>	
170 - 174	No Function			
175 - 179	WDMX - RESET <sup>1</sup>			
180 - 184	No Function			
185 - 189	Led power(Normal mode) <sup>1</sup>			
190 - 194	Led power(Theater mode) <sup>1</sup>			
195 - 199	Led power(High mode) <sup>1</sup>			
200 - 239	No Function			
240 - 244	DMX Manual calibration mode <sup>2</sup>			
245 - 249	No Function			
250 - 255	illuminate display			
4	Macro color	000 - 004	No Function	
		005 - 255	Macro color rotation effect	
5	Dimmer 1	000 - 255	LED block 1 dimmer	
6	Red 1	000 - 255	LED block 1 - Red 1(0-100%)	
7	Green 1	000 - 255	LED block 1 - Green 1(0-100%)	
8	Blue 1	000 - 255	LED block 1 - Blue 1(0-100%)	

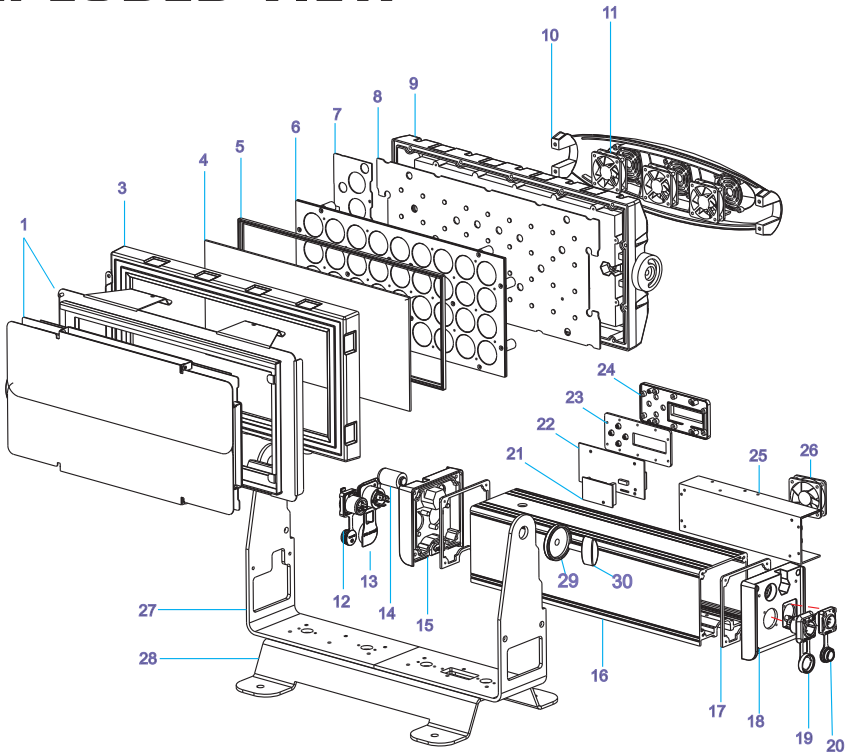


30 CH	Function	Value	Setting	Remark
9	White 1	000 - 255	LED block 1 - White 1(0-100%)	
10	Fade 1	000 - 255	LED block 1 -Fade(dimmer speed)	
11	Dimmer 2	000 - 255	LED block 2 dimmer	
12	Red 2	000 - 255	LED block 2 - Red 2(0-100%)	
13	Green 2	000 - 255	LED block 2 - Green 2(0-100%)	
14	Blue 2	000 - 255	LED block 2 - Blue 2(0-100%)	
15	White 2	000 - 255	LED block 2 - White 2(0-100%)	
16	Fade 2	000 - 255	LED block 2 -Fade(dimmer speed)	
17	Dimmer 3	000 - 255	LED block 3 dimmer	
18	Red 3	000 - 255	LED block 3 - Red 3(0-100%)	
19	Green 3	000 - 255	LED block 3 - Green 3(0-100%)	
20	Blue 3	000 - 255	LED block 3 - Blue 3(0-100%)	
21	White 3	000 - 255	LED block 3 - White 3(0-100%)	
22	Fade 3	000 - 255	LED block 3-Fade(dimmer speed)	
23	Dimmer 4	000 - 255	LED block 4 dimmer	
24	Red 4	000 - 255	LED block 4 - Red 4(0-100%)	
25	Green 4	000 - 255	LED block 4 - Green 4(0-100%)	
26	Blue 4	000 - 255	LED block 4 - Blue 4(0-100%)	
27	White 4	000 - 255	LED block 4 - White 4(0-100%)	
28	Fade 4	000 - 255	LED block 4-Fade(dimmer speed)	
29	Auto program	000 - 009	No function	
		010 - 019	Auto program 1	
		020 - 029	Auto program 2	
		030 - 039	Auto program 3	
		040 - 049	Auto program 4	
		050 - 059	Auto program 5	
		060 - 069	Auto program 6	
		070 - 079	Auto program 7	
		080 - 089	Auto program 8	
		090 - 099	Auto program 9	
		100 - 109	Auto program 10	
		110 - 119	Auto program 11	
		120 - 129	Auto program 12	
		130 - 139	Auto program 13	
		140 - 149	Auto program 14	
		150 - 159	Auto program 15	
160 - 169	Auto program 16			
170 - 179	Auto program 17			
180 - 189	Auto program 18			
190 - 199	Auto program 19			
200 - 255	Auto program 20(Auto program 1-19 cycle)			
30	Speed	000	No function	
		1-255	AUTO Speed or Dimmer Speed	

# ONBOARD CONTROL MENUS

NO.	Main Menu	Menu level 2	Menu level 3	Remark
1	DMX ADDRESS	<001>		Default 001
2	CONTROL MODE	4CH / 9CH / 11CH / 16CH / 21CH / 27CH / 30CH		Default : 11CH
3	STATIC COLOR *	Dimmer	0-100	Default : 000
		Red	0-100	Default : 000
		Green	0-100	Default : 000
		Blue	0-100	Default : 000
		White	0-100	Default : 000
		Strobe	0-20	Default : 000
4	PERSONALITY	FANS	REGULATED	Default : REGULATED
			SILENT	Level (1-3)
			FULL	
		Led power	High	Default : Normal
			Normal	
			Theater	
		Dimmer Speed	Normal	Default : Normal
			Smooth	
		KEY-Lock	ON/OFF	Default : OFF
		W-DMX	ON	Default : ON
			OFF	
			RESET	
	Calibration	NO CALIBRATION	Default : FACTORY	
		MANUAL		
		FACTORY		
	Refresh rate	600/1200/2400/4800	Default : 600	
	LCD brightness	Level (1 - 10)		
	DMX HOLD	DMX HOLD	Default : DMX HOLD	
		NO DMX HOLD		
5	AUTO *	AUTO(1 - 20)	Speed 0 - 20	Default : AUTO :1,Speed: 0
6	INFO	Software type	VX.XX	
		Usage time	TOTAL Xxxx hours	Use time reset(password)
		Temperature	XXX°C	
7	FACTORY SET	LOAD		
8	MANUAL CALIB	Red	0-255	Default : 255
		Green	0-255	Default : 255
		Blue	0-255	Default : 255

# EXPLODED VIEW



NO.	Description	Part Number	NO.	Description	Part Number
1	Barndoor set	CLF-13-465	17	Rubber ring for side cover base	CLF-13-412
3	Front cover	CLF-13-400	18	Side cover base input	CLF-13-403
4	Tempered front glass	CLF-13-427	19	Powercon TRUE1 input socket	CLF-14-027
5	Rubber ring for front cover	CLF-13-413	20	Waterproof 3-pin male DMX socket	CLF-13-453
6	Lens kit	CLF-13-393	21	Wireless board	CLF-13-447
7	LED control board	CLF-13-461	22	Display board	CLF-13-446
8	LED board	CLF-13-460	23	Rubber pad for display ares	CLF-13-411
9	Radiator	CLF-13-401	24	Display cover	CLF-13-407
10	Fan cover	CLF-13-408	25	Power supply	CLF-13-449
11	Fan	CLF-13-430	26	Fan	CLF-13-430
12	Waterproof 3-pin female DMX socket	CLF-13-454	27	Yoke output side	CLF-13-418
13	Powercon TRUE1 output socket	CLF-14-028	28	Stand	CLF-13-423
14	Wireless antenna with wire	CLF-13-448	29	Knob adapter	CLF-13-405
15	Side cover base output	CLF-13-404	30	Knob	CLF-13-406
16	Base	CLF-13-402			

# SPECIFICATIONS

<b>Physical</b>	
Length	495mm
Width	254mm
Height	386mm
Weight	13 kg without accessories
<b>Dynamic Effects</b>	
beam angle	21°
<b>Optics</b>	
Light source	36 pcs high-power LEDs (RGBW)
<b>Control and Programming</b>	
Control	DMX512-A
DMX channels	04 / 09 / 11 / 16 / 21 / 27 / 30
Setting and addressing	Control panel with backlit LCD graphic display
Protocol	USITT DMX512-A
<b>Control and Programming</b>	
Color	Black
Housing	High strength die-casting aluminum
<b>Installation</b>	
Orientation	Any
Minimum distance to combustible materials	100 mm. from fixture
Minimum distance to illuminated surfaces	200 mm. from fixture
<b>Connections</b>	
AC power input	PowerCON TRUE 1 <sup>®</sup> input socket
AC power throughput	PowerCON TRUE 1 <sup>®</sup> output socket
DMX data in/out	5 pin locking XLR (3 pin optional with # CLF-13-453 & CLF-13-454)
<b>Electrical</b>	
AC power	100-240V nominal, 50/60 Hz
Maximum total power consumption	380 W
Power supply unit	Auto-ranging electronic switch mode
Power consumption, all effects static, zero light output	< 15 W
<b>Power consumption</b>	
120 V, 60 Hz	380 W, PF 0.991
240 V, 50 Hz	370 W, PF 0.952
PF = power factor. Measurements made at nominal voltage with all LEDs at full intensity. Allow for a deviation of +/- 10%. Thermal	
<b>Cooling</b>	
Forced air (temperature-regulated, low noise, user-definable levels)	
Maximum ambient temperature (Ta max.)	40 °C
Minimum ambient temperature (Ta min.)	-20 °C
Total heat dissipation (calculated, +/- 10%)	820 BTU/hr.

# ARES



CLFLIGHTING

[WWW.CLF-LIGHTING.COM](http://WWW.CLF-LIGHTING.COM)