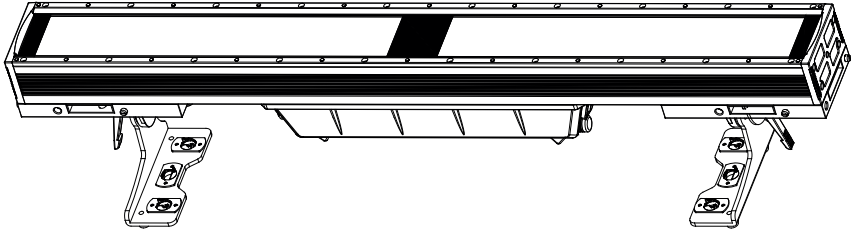




# LEDBAR STROBE

# MANUAL

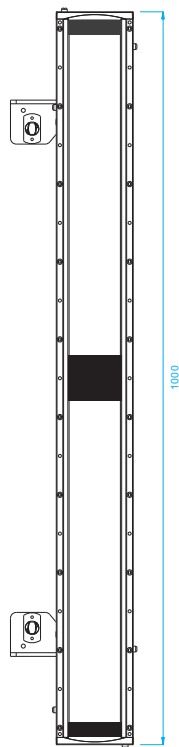
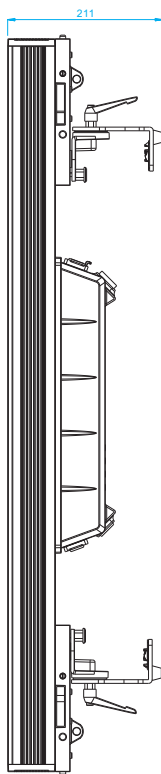
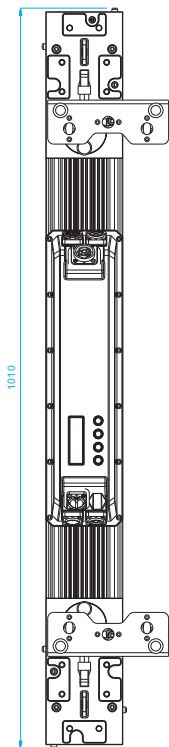
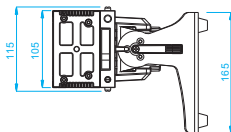


# TABLE OF CONTENTS

<b>Dimensions</b>	<b>1</b>
<b>Safety Instruction</b>	<b>2</b>
<b>Fixture overview</b>	<b>4</b>
<b>Introduction</b>	<b>5</b>
<b>AC Power</b>	<b>5</b>
Power voltage	5
Power cables	6
Relaying power to other devices	6
<b>Data link</b>	<b>6</b>
Tips for reliable data transmission	6
<b>Physical installation</b>	<b>7</b>
Fastening the fixture to a flat surface	7
Outdoor IP-rated fixtures	8
Condensation/moisture inside housing	8
Fixtures temperature specification	8
<b>Installation</b>	<b>9</b>
Coupling (short side)	9
Combined coupling	9
Coupling (long side)	10
Hanging (omega bracket)	11
Hanging	11
<b>Setup</b>	<b>12</b>
Control panel and menu navigation	12
DMX address setting	12
W-DMX control (optional)	12
Control mode	13
<b>Control panel</b>	<b>14</b>
Personality	14
Art-Net	14
Information	14
Factory reset	14
Dimmer mode	15
<b>Onboard control menu</b>	<b>16</b>
<b>DMX protocol</b>	<b>17</b>
<b>Exploded view</b>	<b>19</b>
<b>Specifications</b>	<b>20</b>

# DIMENSIONS

ALL DIMENSIONS ARE IN MILLIMETERS



# SAFETY INSTRUCTION



## WARNING!

Read the safety precautions in this section before installing, powering, operating or servicing this product

The following symbols are used to identify important safety information on the product and in this manual:



**DANGER!**  
Safety hazard.  
Risk of severe injury or death.



**DANGER!**  
Hazardous voltage. Risk of lethal or severe electric shock.



**WARNING!**  
Fire hazard.



**WARNING!**  
LED light emission. Risk of eye injury.



**WARNING!**  
Burn hazard. Hot surface. Do not touch.



**WARNING!**  
Wear protective eyewear.



**WARNING!**  
Refer to user manual.



Warning! Risk Group 1 (low risk) LED product according to EN 62471. Do not look into the beam at a distance of less than 8.3 meters from the front surface of the product. Do not view the light output with optical instruments or any device that may concentrate the beam.

This product is for professional use only. It is not for household use.



This product presents risks of severe injury or death due to fire and burn hazards, electric shock and falls.

Read this manual before installing, powering or servicing the fixture, follow the safety precautions listed below and observe all warnings in this manual and printed on the fixture. If you have questions about how to operate the fixture safely, please contact your supplier.



## PROTECTION FROM ELECTRIC SHOCK

- Disconnect the fixture from AC power before removing or installing any cover or part and when not in use.
- Always ground (earth) the fixture electrically.
- Use only a source of AC power that complies with local building and electrical codes and has both overload and ground-fault (earth-fault) protection.
- Before using the fixture, check that all power distribution equipment and cables are in perfect condition and rated for the current requirements of all connected devices.
- Power input and throughput cables must be rated 20 A minimum, have three conductors 1.5 mm<sup>2</sup> (16 AWG) minimum conductor size and an outer cable diameter of 5 - 15 mm. Cables must be hard usage type (SJT or equivalent) and heat-resistant to 90° C minimum.
- Use only PowerCON TRUE 1<sup>®</sup> cable connectors to connect to power input sockets. Use only PowerCON TRUE 1<sup>®</sup> cable connectors to connect to power through put sockets.
- Isolate the fixture from power immediately if the power plug or any seal, cover, cable, or other component is damaged, defective, deformed, wet or showing signs of overheating. Do not reapply power until repairs have been completed.
- Refer any service operation not described in this manual to a qualified technician.
- Socket outlets used to supply fixture fixtures with power or external power switches must be located near the fixtures and easily accessible so that the fixtures can easily be disconnected from power.



## PROTECTION FROM BURNS AND FIRE



- The exterior of the fixture becomes hot during use. Avoid contact by persons and materials. Allow the fixture to cool for at least 5 minutes before handling.
- Keep all combustible materials (e.g. fabric, wood, paper) at least 100 mm away from the fixture.
- Keep flammable materials well away from the fixture.
- Ensure that there is free and unobstructed airflow around the fixture.



- Do not illuminate surfaces within 200 mm of the fixture.
- Do not attempt to bypass thermostatic switches or fuses.
- If you relay power from one fixture to another using power throughput sockets, do not connect more than ten fixture fixtures in total to each other in an interconnected chain.
- Connect only other fixture fixtures to fixture power throughput sockets.
- Do not connect any other type of device to these sockets.
- Do not stick filters, masks or other materials onto any optical component.
- Do not modify the fixture in any way not described in this manual.

## PROTECTION FROM INJURY



- Do not look continuously at LEDs from a distance of less than 3 meters from the front surface of the fixture without protective eyewear such as shade 4-5 welding goggles. At less than this distance, the LED emission can cause eye injury or irritation. At distances of 3 meters and above, light output is harmless to the naked eye provided that the eye's natural aversion response is not overcome.
- Do not look at LEDs with magnifiers, telescopes, binoculars or similar optical instruments that may concentrate the light output.

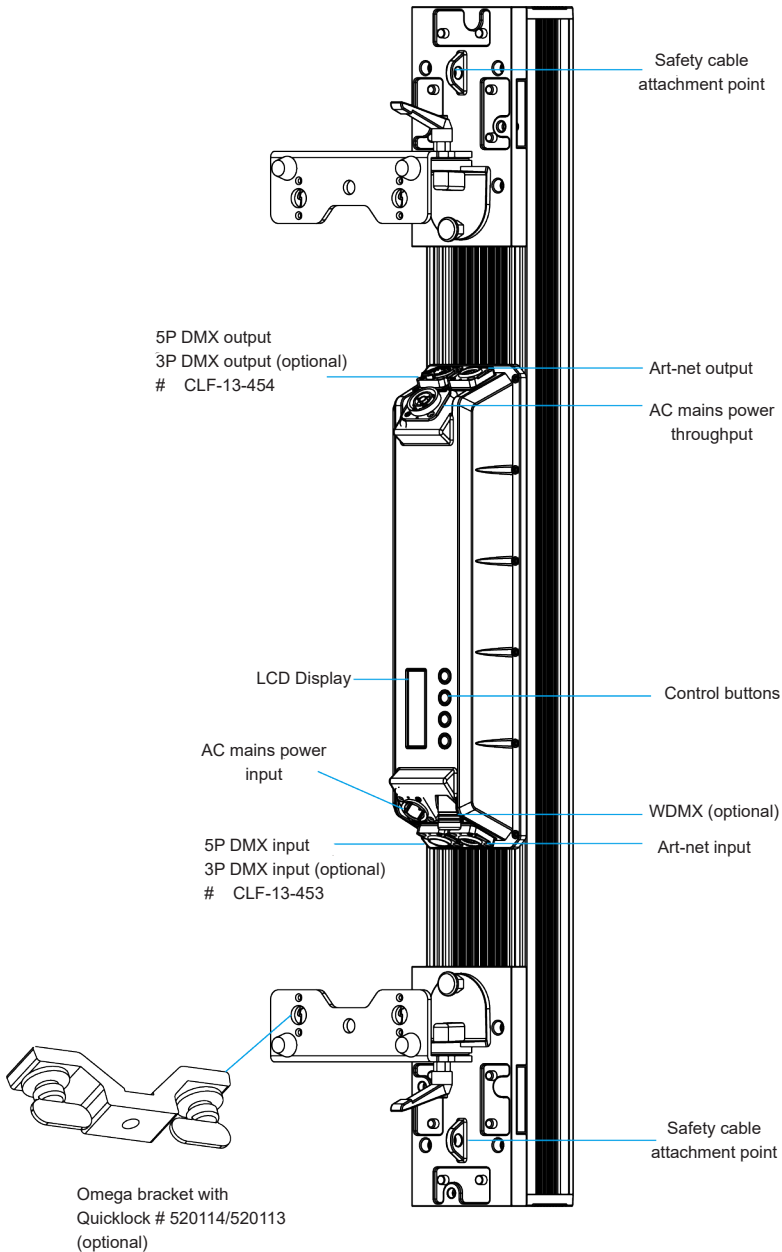


- Ensure that persons are not looking at the LEDs from within 8.3 meters when the product lights up suddenly. This can happen when power is applied, when the product receives a DMX signal, or when SERVICE menu items are selected.
- Fasten the fixture securely to a fixed surface or structure when in use. The fixture is not portable when installed.
- Ensure that any supporting structure and/or hardware used can hold at least 10 times the weight of all the devices they support.



- Allow enough clearance around the head to ensure that it cannot collide with an object or another fixture when it moves.
- Check that all external covers and rigging hardware are securely fastened.
- Block access below the work area and work from a stable platform whenever installing, servicing or moving the fixture.
- Do not operate the fixture with missing or damaged covers, shields or any optical component.

# FIXTURE OVERVIEW



# INTRODUCTION

## OUTDOOR LED STROBE

- Unique bracket design
- Touring proof
- IP65 rating
- Silent operation
- Smooth projection
- PowerCON TRUE 1 ® in & out
- RDM ready
- Art-Net & sACN ready

## USING FOR THE FIRST TIME

**Warning!** Read “Safety Information” before installing, powering, operating or servicing the fixture. Before applying power to the fixture:



Check that the local AC mains power source is within the fixture's power voltage and frequency ranges.

See “Power cables and power plug” on page 6. Install a PowerCON TRUE 1 ® power input connector power cable.

# AC POWER

**Warning!** Read “Safety Information” starting on before connecting the fixtures to AC mains power.



**Warning!** For protection from electric shock, the fixture must be grounded (earthed). The power distribution circuit must be equipped with a fuse or circuit breaker and ground-fault (earth-fault) protection.

**Warning!** Socket outlets or external power switches used to supply the fixture with power must be located near the fixture and easily accessible so that the fixtures can easily be disconnected from power.



**Important!** Do not insert or remove PowerCON TRUE 1 ® connectors to apply or cut power, as this may cause arcing at the terminals that will damage the connectors.

**Important!** Do not use an external dimming system to supply power to the fixture, as this may cause damage to the fixture that is not covered by the product warranty.

The fixture can be hard-wired to an electrical installation if you want to install it permanently, or a power plug that is suitable for the local power outlets can be installed on the power cable.

## POWER VOLTAGE



**Warning!** Check that the voltage range specified on the fixtures serial number label matches the local AC mains power voltage before applying power to the fixture.

The fixtures accepts AC mains power at 100-240 V nominal, 50/60 Hz. Do not apply AC mains power to the fixture at any other voltage than specified.

# POWER CABLES

Power input and throughput cables must be rated 16A minimum, have three conductors 1.5 mm<sup>2</sup> (16 AWG) minimum conductor size and an outer cable diameter of 5 - 15 mm. Cables must be hard usage type (SJT or equivalent) and heat-resistant to 90°C minimum. In the EU the cable must be HAR approved or equivalent.

If you install a power plug on the power cable, install a grounding-type (earthed) plug that is rated 16A minimum. Follow the plug manufacturer's instructions. Table 1 shows standard wire color-coding schemes and some possible pin identification schemes; if pins are not clearly identified.

Wire Color (EU models)	Wire Color (US models)	Conductor	Symbol
Brown	Black	Live	L
Blue	White	Neutral	N
Yellow/Green	Green	Ground (earth)	 or 

Table 1: Wire color-coding and power connections

## RELAYING POWER TO OTHER DEVICES

Warning! Do not connect more than ten fixtures in total to AC mains power in one interconnected chain. Power can be relayed to another device via the PowerCON TRUE 1 Ⓜ throughput socket.

If you daisy chain the fixtures in a chain so that they all draw AC mains power via the first fixture, certain points must be respected:

- A heavy duty, three-conductor, 16 AWG or 1.5 mm<sup>2</sup> cable with SJT or equivalent cable jacket must be used to connect the first fixture to AC mains power.
- PowerCON TRUE 1 Ⓜ connectors must be used to draw AC mains power from the fixtures power throughput sockets and yellow PowerCON TRUE 1 Ⓜ connectors must be used to supply power at the fixture's power input sockets.
- No matter what the AC mains power voltage is, do not connect more than ten the fixture in total ( including the first fixture) to AC mains power in one interconnected daisy chain using power input and through out connectors.

# DATA LINK

A DMX 512 data link is required in order to control a fixture via DMX. The fixture has 5-pin XLR connectors for DMX data input and output. The pin-out on all connectors is pin 1 = shield, pin 2 = cold (-), and pin 3 = hot (+) Pins 4 and 5 in the 5-pin XLR connectors are not used.

## TIPS FOR RELIABLE DATA TRANSMISSION

To connect the fixture to data:

1. Connect the DMX data output from the controller to the 5-pin XLR connector of the nearest fixture.
2. Connect the DMX output of the fixture closest to the controller to the DMX input of the next fixture and continue connecting fixtures output to input.



# PHYSICAL INSTALLATION



Warning! The fixture must be either fastened to a flat surface such as a stage or wall, or clamped to a truss or similar structure in any orientation using a rigging clamp.

Warning! If the fixture can cause injury or damage if it falls, attach an approved safety cable to one of the safety cable attachment points on the base (see "Fixture overview").

Check that all surfaces to be illuminated are minimum 200 mm. from the fixture, that combustible materials (wood, fabric, paper, etc.) are minimum 100 mm. from the fixture, that there is free airflow around the fixture and that there are no flammable materials nearby.

## FASTENING THE FIXTURE TO A FLAT SURFACE

The fixture can be fastened to a fixed flat surface that is oriented at any angle. Check that the surface can support at least 10 times the weight of all fixtures and equipment to be installed on it.



Warning! The supporting surface must be hard and flat or cooling may be blocked, which will cause overheating. Fasten the fixture securely. Do not stand it on a surface or leave it where it can be moved or can fall over. Attach a securely anchored safety cable to the safety cable attachment point (see "Fixture overview") if the fixture is to be installed in any location where it may fall and cause injury or damage if the primary attachment fails.

1. Block access under the work area. Working from a stable platform, hang the fixture on the truss with the arrow on the base towards the area to be illuminated. Tighten the rigging clamp.
2. Secure the fixture against clamp failure with a secondary attachment such as an approved safety cable that is rated for the weight of the fixture using one of the attachment points at the edges of the base (see "Fixture overview"). Do not use any other part of the fixture as a safety cable attachment point.

# OUTDOOR IP-RATED FIXTURES

CLF products are applied to official classified IP norm levels. For this product the IP rate is IP65 when using the covers for the chassis parts. IP65 means according classified norm: shielded against dust and pressurized water from any side. Typical use for outdoor rated stage events with normal weather acceptance. So no heavy rain, because then the water pressure over exceeds the IP norm.

## SOLID OBJECT

<b>1</b>	Protected against a solid object greater than 50mm such as a hand.
<b>2</b>	Protected against a solid object greater than 12.5mm such as a finger.
<b>3</b>	Protected against a solid object greater than 2.5mm such as a screwdriver.
<b>4</b>	Protected against a solid object greater than 1mm such as a wire.
<b>5</b>	Dust protected. Limited ingress of dust permitted. Will not interfere with operation of the equipment.
<b>6</b>	Dust tight. No ingress of dust.

## MOISTURE

<b>1</b>	Protected against vertical falling drops of water. Limited ingress permitted.
<b>2</b>	Protected against vertical falling drops of water with enclosure tilted up to 15 degrees from the vertical. Limited ingress permitted.
<b>3</b>	Protected against sprays of water up to 60 degrees from the vertical. Limited ingress permitted.
<b>4</b>	Protected against water splashes from all directions. Limited ingress permitted.
<b>5</b>	Protected against jets of water. Limited ingress permitted.
<b>6</b>	Protected against powerful jets of water. Limited ingress permitted.
<b>7</b>	Protected against the effects of immersion in water between 15cm and 1m for 30 minutes.
<b>8</b>	Protected against the effects of immersion in water under pressure for long periods.

**IP 65**  
Ingress Protection

## CONDENSATION/MOISTURE INSIDE HOUSING

Because of high humidity levels during production condensation can occur inside the housing. This is mostly visible on the coldest parts of the fixture, like the front glass or display. To prevent this problem we work with special conditioned areas for outdoor fixtures. Because of the breathing air valves it is still possible to get humidity inside the fixture. This will evaporate slowly. Do not put wet fixtures in a flightcase, this will help humidity enter the fixture.

## FIXTURES TEMPERATURE SPECIFICATION

Make sure the fixture is used within its working temperature range. Outside this range we cannot guarantee correct operation.

## TEMPORARY USAGE:

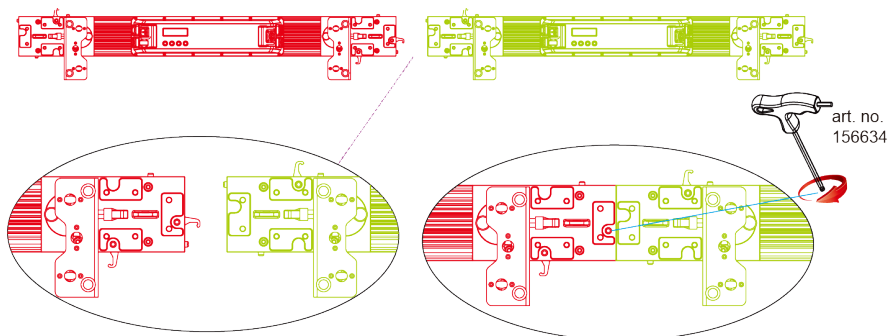
Stage event equipment is designed with temporary use in mind. Our product purpose is for theatre, festival, (disco) clubs and indoor & outdoor concerts. Long term use is possible but keep in mind that it can bring damage to aging materials and affect the coated surface (i.e. stainless steel). Rubber sealings will be negatively affected after long-term UV exposure and should be checked by qualified service technicians over time.

Tighten screws too hard will also affect the IP-rating.

# INSTALLATION

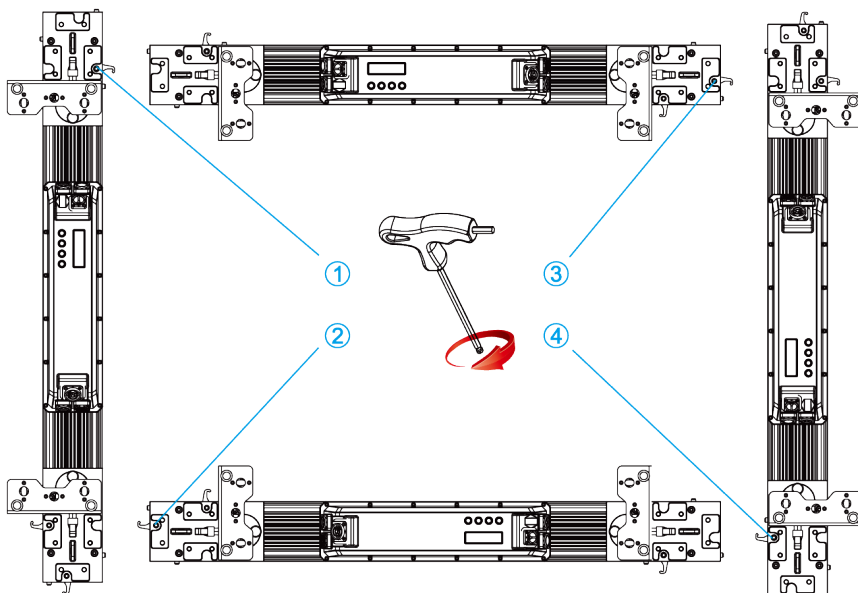
## COUPLING (SHORT SIDE)

Use a hexagon wrench to rotate the locking positioning system clockwise to fasten two fixtures. Do not mount more than two fixtures to each other when hanging vertically.



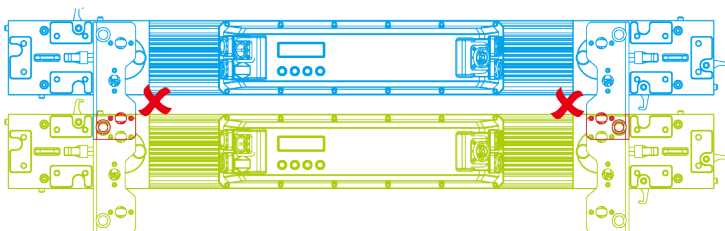
## COMBINED COUPLING

Use a hexagon wrench to rotate the locking positioning system clockwise to fasten the fixtures.

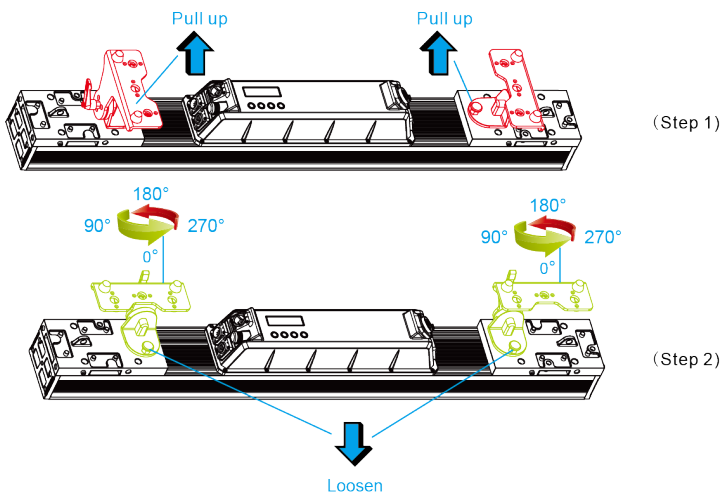


## COUPLING (LONG SIDE)

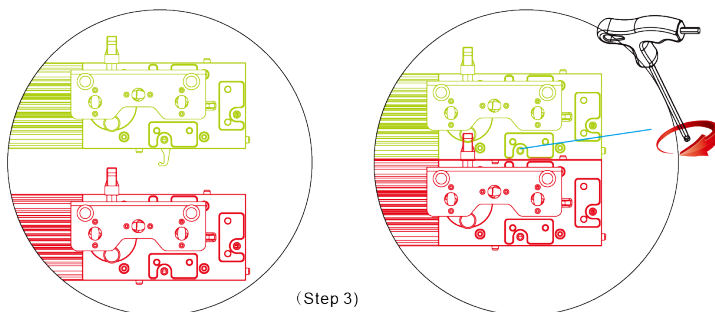
When using the locking system on the long side, you need to keep in mind that the bracket positioning system should be moved. Do not mount more than three fixtures to each other when hanging horizontally.



The adaptable bracket system can be rotated by pulling the locking pin. After bringing the bracket system in the right direction, make sure to fasten the locking pin.

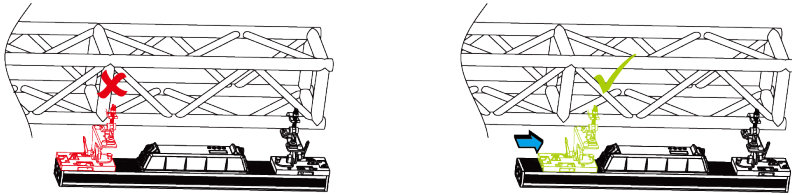


Use a hexagon wrench to rotate the locking positioning system clockwise to fasten the fixtures.

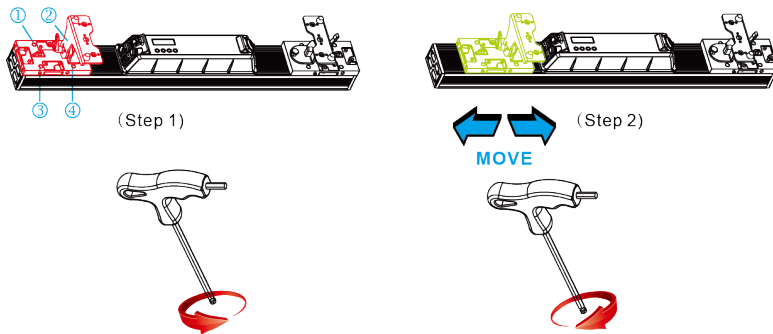


## HANGING (OMEGA BRACKET)

Always use CLF omega brackets to hang the LEDbar . The bracket system can be moved to avoid truss bracing patterns.

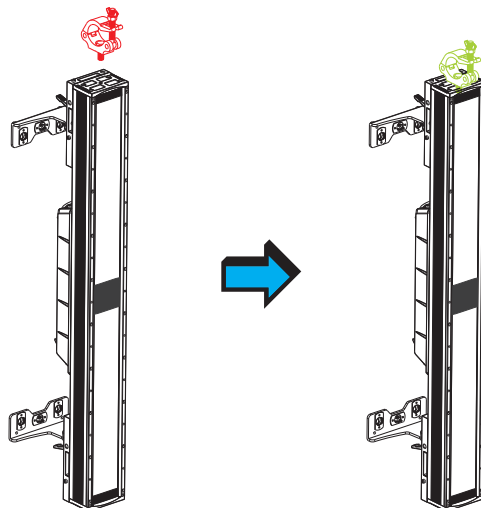


To move the bracket system, loosen the four screws on the slider counterclockwise, then move the bracket system to the required position. Then tighten the four screws on the slider clockwise to fixate the bracket system.



## HANGING

The fixture can also be secured by using the M8 mounting hole with any kind of rigging.



# SETUP

Warning! Read "Safety Information" before installing, powering or operating the fixture.

## CONTROL PANEL AND MENU NAVIGATION

The onboard control panel and backlit graphic display are used to set the fixture's DMX address, configure individual fixture settings (personality), read out data and execute service utilities. See "Onboard control menus" for a complete list of menus and commands.

Using the control buttons

- To enter the menu select [MODE].
- Press [UP] and [DOWN] to scroll within a menu or adjust values.
- To enter a menu, select a function or apply a selection, press [ENTER].
- To escape a function or move back one level in the menu structure, press [MODE].

## DMX ADDRESS SETTING

The DMX address, also known as the start channel, is the first channel used to receive instructions from the controller. For independent control, each fixture must be assigned its to a separate channel. The DMX address can be configured by using the DMX ADDRESS menu in the control panel. For setting the DMX address press [ENTER] before you can change the address.

- The main screen will show a 'dot' and the backlight will be switched off when a DMX signal is detected.
- The fixture is fully RDM ready. So when you are using a RDM ready console you can address the unit and read out its complete status. For RDM functions please refer to the ANSI/ESTA E1.20-2006 standard

## W-DMX CONTROL (OPTIONAL ±Q1 2019)

Go to the W-DMX section in the main menu, press the button "UP" to switch off Wireless DMX or disconnect with all connected Transmitters.

Press the button "DOWN" to set the unit in the "ready to connect with all not connected transmitters" mode. If you press the mode button on the Wireless solution transmitter all the units in this mode will be connected.

If the unit is successfully connected in the home display the sign "▲: V" appears. If the unit is not connected to a transmitter in the home display the sign "▲: X". If the unit is switched off in the home display the sign "▲: OFF".

- Holding the **MENU** and **ENTER** button for more than 3 seconds, the wireless board will reset.
- Do not use Wireless DMX and Wired DMX at the same time because it will give unwanted interference

## CONTROL MODE

DMX control mode is selected in the CONTROL MODE menu. The fixture can be controlled with 7 DMX control modes:

	3ch	4ch	8ch	12ch
Intensity	✓	✓	✓	✓
Duration	✓	✓	✓	✓
Rate	✓	✓	✓	✓
Segments (1-2, 3-4, 5-6, 7-8)			✓	
Segments (8)				✓
Effect		✓	✓	✓

# CONTROL PANEL

Here you can set all functions for the fixture.

## PERSONALITY

Dimmer curve	Linear / Square law / INV Square law / S- Curve / Special
Tungsten mode	OFF = Tungsten mode off. Mode 1/ Mode 2 ( Led simulates Tungsten dimming)
Refresh rate	Controls the flicker frequency of the fixture 600 / 1200 / 4000 / 8000 Hz
KEY-Lock	Locks all the button functions. Standard unlocking password is (MODE+UP+MODE+DOWN+MODE+UP+MODE+DOWN+ENTER)
DMX HOLD	DMX HOLD = The fixture will remember on last values when you disconnect DMX NO DMX HOLD = The fixture has no output when you disconnect DMX
W-DMX	ON (Turn on the Wireless Board) OFF (Turn off the Wireless Board) RESET (Reset the Wireless Board)
Pixel order	Selects the start side of the cells Normal (1-8Left to Right ) Inverted (8-1 Right to Left )

## ART-NET

NET	MODE	Auto Custom	IP configuration mode. (When choose the Custom in MODE , can modify the IP .)
	UNIVERSE	0-255	Selection of the Universe
	IP	xxx.xxx.xxx.xxx	IP address of the unit
	SUBNET	xxx.xxx.xxx.xxx	SUBNET address of the unit

## INFORMATION

Software type	D.B Vx.xx = Display board software version (Vx.xx) L.C.B Vx.xx = LED control board software version (Vx.xx)
Usage time	Use of time and use time reset (password)
Temperature	LED board current temperature (Stored max:xxx°C, Stored min:xxx°C)
RDM.UID	Shows the unique ID for the RDM protocoll. <0x02E20002xxxx>
Error message	No errors detected Error message Clear error message?

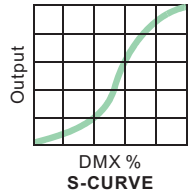
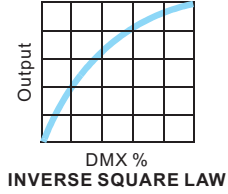
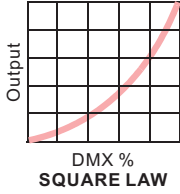
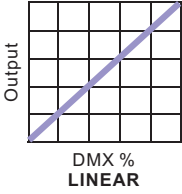
## FACTORY RESET

Resets the fixture to its factory default settings.



# DIMMER MODE

provides five dimming options (see picture below):



- **LINEAR** – the increase in light intensity appears to be linear as DMX value is increased.
- **SQUARE LAW** – light intensity control is finer at low levels and coarser at high levels.
- **INV Square law** – light intensity control is coarser at low levels and finer at high levels.
- **S-CURVE** – light intensity control is finer at low levels and high levels and coarser at medium levels.

# ONBOARD CONTROL MENU

NO.	Main menu	Menu level 2	Menu level 3	Remark
1	DMX ADDRESS	<001>		Default : 001
2	CONTROL MODE	3CH 4CH 8CH 12CH	1.Intensity, 2.Duration, 3.Rate 1.Intensity, 2.Duration, 3.Rate, 4.Effect 1.Intensity, 2.Duration, 3.Rate, 4-7.Block1-4, 8.Effect 1.Intensity, 2.Duration, 3.Rate, 4-11.BLOCK1-8, 12.Effect	Default : 4CH
3	PERSONALITY	Dimmer curve Refresh rate Keylock Dmx hold WDMX Pixel order	Linear Square law INV Square law S-Curve 600 / 1200 / 4000 / 8000 Hz ON / OFF No dmx hold / Dmx hold ON / OFF / Reset Normal / Inverted	Default : Square law Default : 600 Hz Default : OFF Default : Dmx hold Default : ON Default : Normal
4	NET	MODE UNIVERSE IP SUBNET	Auto:2.x.x.x Auto:10.x.x.x Custom 0-255 xxx.xxx.xxx.xxx xxx.xxx.xxx.xxx	
5	STATIC COLOR*	White Strobe	0-255 0-255	Default : 0 Default : 0
6	AUTO	Auto Speed	1-10 0-20	Default : 1 Default : 0
7	INFO	Software Usage time Temperature RDM.UID Error message	D.B Vx.xx L.C.B Vx.xx TOTAL Xxxx H XXX°C (Stored max: XXX°C,Stored min: XXX°C) 0xxxxxxxxxxxxx No errors detected Error message (Clear error message ? )	
8	FACTORY SET	LOAD	Please reboot power before reset takes effect!	

# DMX PROTOCOL

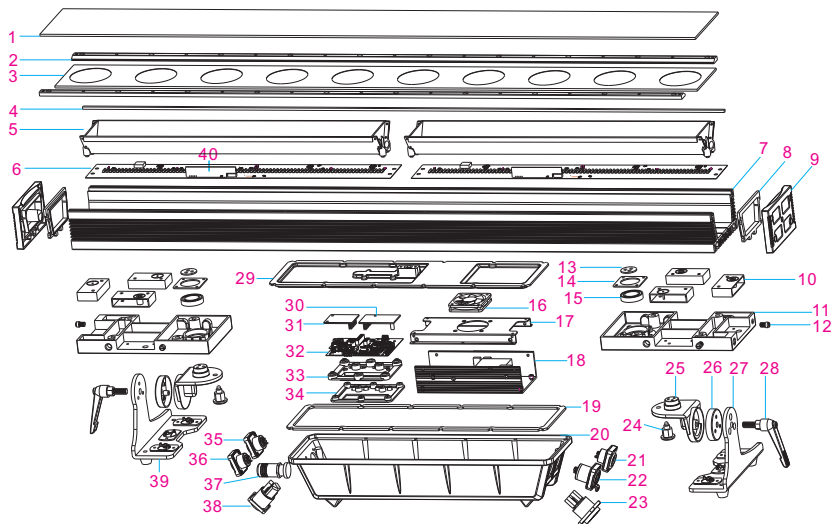
3 CH	Function	Value	Setting	Remark
1	<b>Flash Intensity</b>	000 - 255	Minimum → maximum intensity	
2	<b>Flash Duration</b>	000 - 255	7→ 650 ms	
3	<b>Flash Rate</b>	000 - 255	0.289 → 16.67 Hz	

4 CH	Function	Value	Setting	Remark
1	<b>Flash Intensity</b>	000 - 255	Minimum → maximum intensity	
2	<b>Flash Duration</b>	000 - 255	7→ 650 ms	
3	<b>Flash Rate</b>	000 - 255	0.289 → 16.67 Hz	
4	<b>Auto</b>	000 - 005	No function	
		006 - 042	Auto 1	
		043 - 085	Auto 2	
		086 - 128	Auto 3	
		129 - 171	Auto 4	
		172 - 214	Auto 5	
		215 - 255	Auto 6	

8 CH	Function	Value	Setting	Remark
1	<b>Flash Intensity</b>	000 - 019	Minimum → maximum intensity	
2	<b>Flash Duration</b>	000 - 255	7→ 650 ms	
3	<b>Flash Rate</b>	000 - 044	0.289 → 16.67 Hz	
4	<b>Block 1-2</b>	000 - 255	0 - 100%	
5	<b>Block 3-4</b>	000 - 255	0 - 100%	
6	<b>Block 5-6</b>	000 - 255	0 - 100%	
7	<b>Block 7-8</b>	000 - 255	0 - 100%	
8	<b>Auto</b>	000 - 005	No function	
		006 - 042	Auto 1	
		043 - 085	Auto 2	
		086 - 128	Auto 3	
		129 - 171	Auto 4	
		172 - 214	Auto 5	
		215 - 255	Auto 6	

12 CH	Function	Value	Setting	Remark
1	<b>Flash Intensity</b>	000 - 255	Minimum → maximum intensity	
2	<b>Flash Duration</b>	000 - 255	7→ 650 ms	
3	<b>Flash Rate</b>	000 - 255	0.289 → 16.67 Hz	
4	<b>Block 1</b>	000 - 255	0 - 100%	
5	<b>Block 2</b>	000 - 255	0 - 100%	
6	<b>Block 3</b>	000 - 255	0 - 100%	
7	<b>Block 4</b>	000 - 255	0 - 100%	
8	<b>Block 5</b>	000 - 255	0 - 100%	
9	<b>Block 6</b>	000 - 255	0 - 100%	
10	<b>Block 7</b>	000 - 255	0 - 100%	
11	<b>Block 8</b>	000 - 255	0 - 100%	
12	<b>Auto</b>	000 - 005	No function	
		006 - 042	Auto 1	
		043 - 085	Auto 2	
		086 - 128	Auto 3	
		129 - 171	Auto 4	
		172 - 214	Auto 5	
		215 - 255	Auto 6	

# EXPLODED VIEW



NO.	Description	Part number	NO.	Description	Part number
1	Frostfilter	156632	21	ART-NET chassis part waterproof	CLF-20-031
2	Glass holder	CLF-20-003	22	DMX 5 pin female chassis part waterproof	CLF-14-031
3	Tempered front glass	CLF-20-025	23	PowerCON TRUE1 output socket	CLF-14-028
4	Rubber glass ring	CLF-20-016	24	Bracket extention knob	CLF-20-037
5	Reflector		25	Rotation support	CLF-20-008
6	LED board		26	Side cover bracket	CLF-20-009
7	LED board Radiator	CLF-20-002	27	Right bracket	CLF-20-018
8	Side part waterproof rubber ring	CLF-20-014	28	Knob	CLF-20-027
9	Side part	CLF-20-010	29	Bottom power supply cover	CLF-20-005
10	Lock	CLF-20-035	30	W-DMX module (optional)	
11	Slider block right	CLF-20-007	31	ART-NET module	CLF-20-036
12	Slideng pin	CLF-20-030	32	Display board	CLF-20-040
13	Bearing cap	CLF-20-021	33	Acrylic display support	CLF-20-011
14	Bearing support	CLF-20-020	34	Rubber button pad	CLF-20-012
15	Bearing stand	CLF-20-036	35	ART-NET chassis part waterproof	CLF-20-031
16	Fan	CLF-20-034	36	DMX 5 pin male chassis part waterproof	CLF-14-032
17	Fan cover	CLF-20-019	37	W-DMX antenna ( optional)	
18	Power supply	CLF-20-026	38	PowerCON TRUE1 input socket	CLF-14-027
19	Rubber ring for housing	CLF-20-013	39	Left bracket	CLF-20-017
20	Power supply housing	CLF-20-004	40	Driver board	

# SPECIFICATIONS

## Power

Input voltage & rate	100-240VAC, 50/60Hz
Standby power	13W
Nominal total power consumption (at nominal voltage 230V)	300W
Typical current (at nominal voltage 230V)	1.363A
Peak total power consumption (at nominal voltage 230V)	1200W
Peak current (at nominal voltage 230V)	5.45A
Cos $\phi$	0,989
Power plug type	Seetronic PowerCon True

## Configuration

LED color	White
LED color temperature	5200 K
LED CRI level	
Quantity of LED	480 pcs
Dimming frequency	600/1200/4000/8000
Dimmer resolution	16bit

## Optical

Beam angle	94.9°
------------	-------

## Photometric

Output @1M	8865 lux
Output @5M	368.6 lux

## Heat management

Cooling type:	Passive cooling
MAX. Ambient temp (Ta max)	40°C
MIN. Ambient temp (Ta min)	-20°C
MAX housing temp.(ta=25°C)	58.8°C
MAX housing temp.(ta=40°C)	67°C

## Menu

Auto program	Yes
Static color	Yes
Manual calibration	No
Factory calibration	No

\* PF = power factor. Measurements made at nominal voltage with all LEDs at full intensity. Allow for a deviation of +/- 10%.

Strobe speed	0 - 20Hz
Effects	Yes

### Control

Control protocol	USITT DMX512/1990
DMX channel range	3/4/8/12
RDM	Yes
RDM compliance	ANSI/ESTA E.120
WDMX	Optional
Art-Net & sACN	Yes
DMX input connection	DMX 5P in & out
Data input (Art-Net, sACN)	Yes

### Hardware

Interface	Backlite LCD display
Software upload method	XLR & RJ45

### Installation

IP rating	IP65
-----------	------

### Housing

Safety attachment point	yes
-------------------------	-----

### Physical

Net product weight	10,2 kg
Machine dimensions - Length	1000 mm
Machine dimensions - Width (fixture)	105 mm
Machine dimensions - Width (bracket)	165 mm
Machine dimensions - Height	210 mm

### Accessories

Included items	Power cable, Manual
----------------	---------------------

### Approvals

Approved certifications	CE, RoHS
-------------------------	----------

The logo features a stylized 'CLF' monogram in a bold, black, sans-serif font, enclosed within a thick black circular border. To the right of the monogram, the words 'LEDBAR STROBE' are written in a clean, black, uppercase, sans-serif font.

# CLF LEDBAR STROBE