

CLF POSEIDON WASH XL

MANUAL

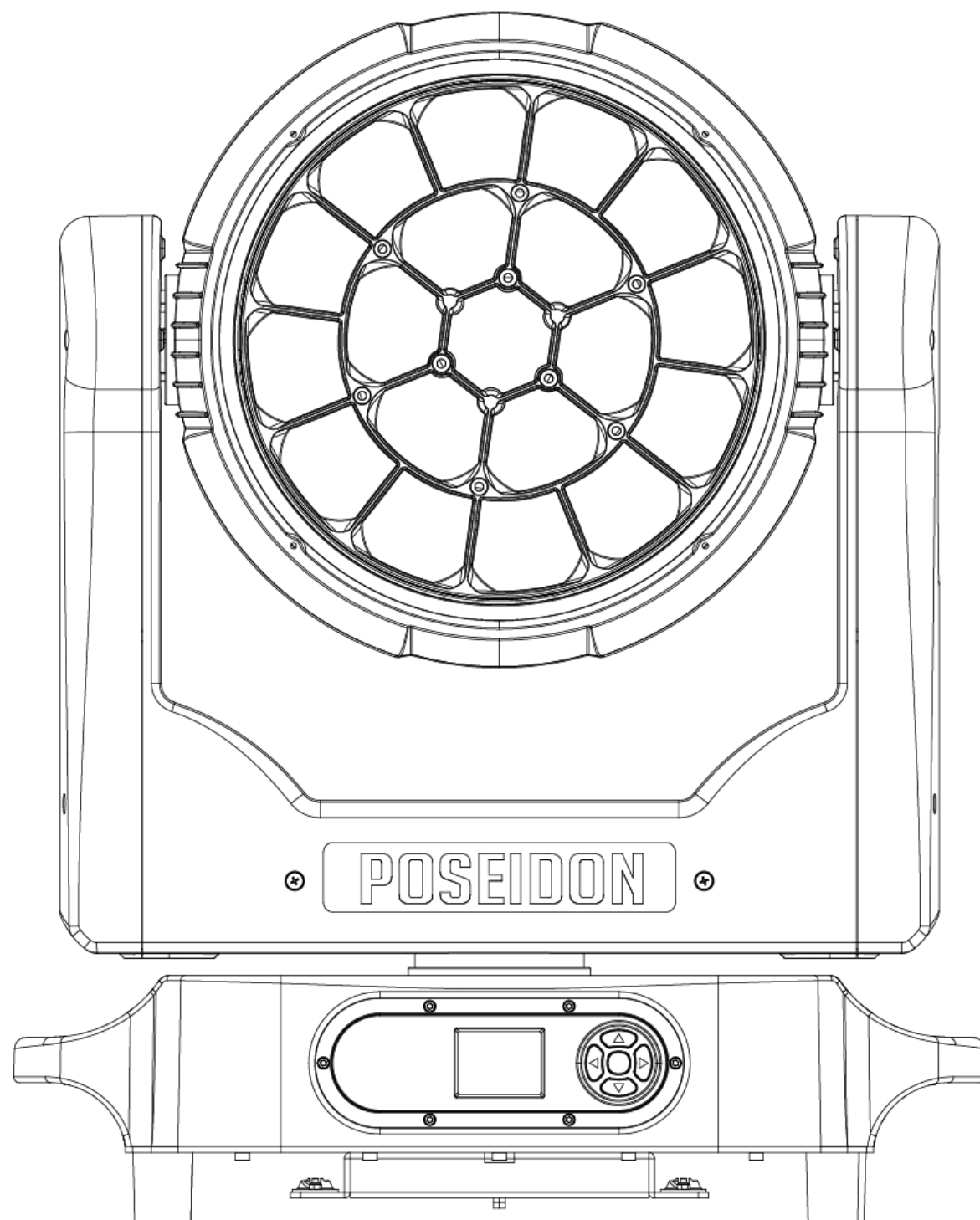
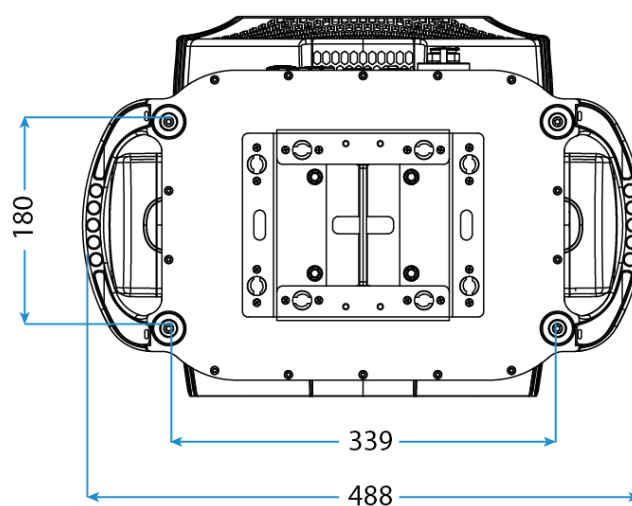
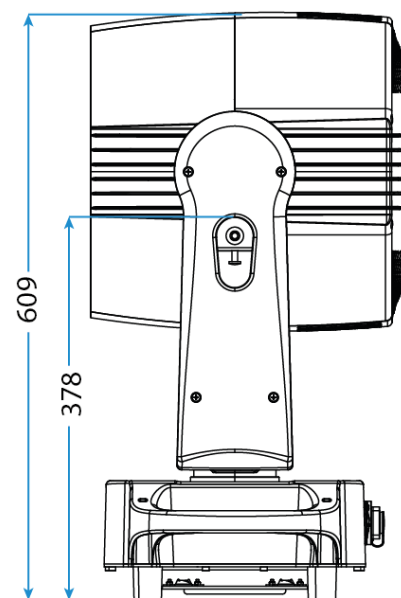
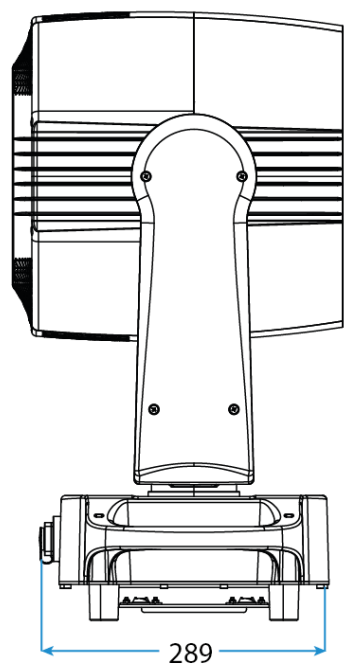
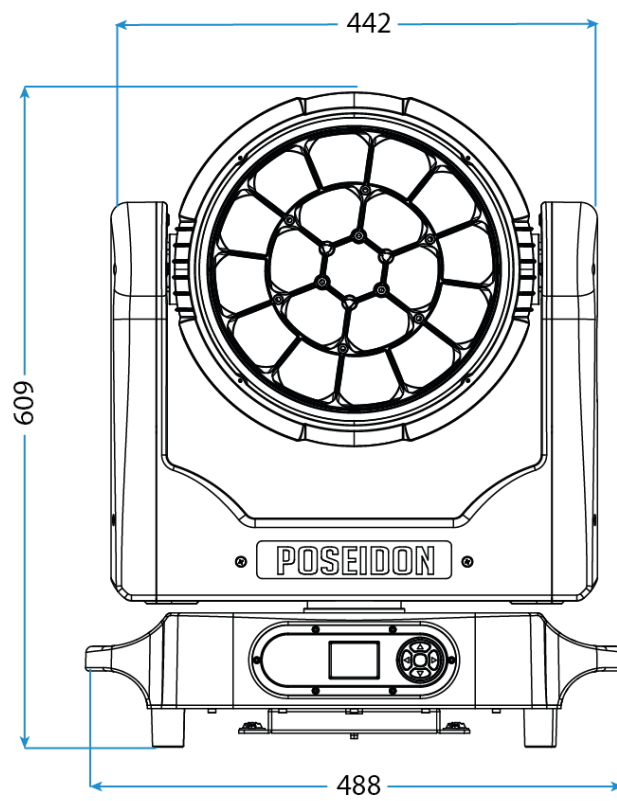


TABLE OF CONTENTS

Dimensions.....	3
Safety Instruction	4
Fixture overview.....	6
Introduction	7
AC POWER.....	7
Power voltage.....	7
Power cables	8
Daisy-chain power to other devices.....	8
Data link	8
Tips for reliable data transmission.....	8
Physical installation	9
Fastening the fixture to a flat surface	9
Outdoor IP-rated fixtures	10
Condensation/moisture inside housing.....	10
Fixtures temperature specification.....	10
Temporary usage.....	10
Setup.....	11
Control panel and menu navigation	11
DMX address setting.....	11
Onboard control menus	12
DMX protocol 28ch.....	15
photometrics.....	32
circuit connection diagram	33
Specifications	34
Positioning.....	36
Layout.....	37

DIMENSIONS

IN MILLIMETERS



SAFETY INSTRUCTION



WARNING!

Read the safety precautions in this section before installing, powering, operating or servicing this product.

The following symbols are used to identify important safety information on the product and in this manual:



DANGER!
Safety hazard.
Risk of severe injury or death.



DANGER!
Hazardous voltage. Risk of lethal or severe electric shock.



WARNING!
Fire hazard.



WARNING!
Burn hazard. Hot surface. Do not touch.



WARNING!
Wear protective eyewear.



WARNING!
Refer to user manual.



This product is for professional use only. It is not for household use.

This product presents risks of severe injury or death due to fire and burn hazards, electric shock and falls.

Read this manual before installing, powering or servicing the fixture, follow the safety precautions listed below and observe all warnings in this manual and printed on the fixture. If you have questions about how to operate the fixture safely, please contact your supplier.

PROTECTION FROM ELECTRIC SHOCK



- Disconnect the fixture from AC power before removing or installing any cover or part.
- Always ground (earth) the fixture electrically.
- Use only a source of AC power that complies with local building and electrical codes and has both overload and ground-fault (earth-fault) protection.
- Before using the fixture, check that all power distribution equipment and cables are in perfect condition and rated for the current requirements of all connected devices.
- Power input and throughput cables must be rated 20A minimum, have three conductors 1.5 mm² (16 AWG) minimum conductor size and an outer cable diameter of 5 - 15 mm. Cables must be hard usage type (SJT or equivalent) and heat-resistant to 90°C minimum.
- Use only PowerCON TRUE 1[®] cable connectors to connect to power input sockets. Use only PowerCON TRUE1[®] cable connectors to connect to power throughput sockets.
- Isolate the fixture from power immediately if the power plug or any seal, cover, cable, or other component is damaged, defective, deformed, wet or showing signs of overheating. Do not reapply power until repairs have been completed.
- Refer any service operation not described in this manual to a qualified technician.
- Socket outlets used to supply fixture fixtures with power or external power switches must be located near the fixtures and easily accessible so that the fixtures can easily be disconnected from power.



PROTECTION FROM BURNS AND FIRE



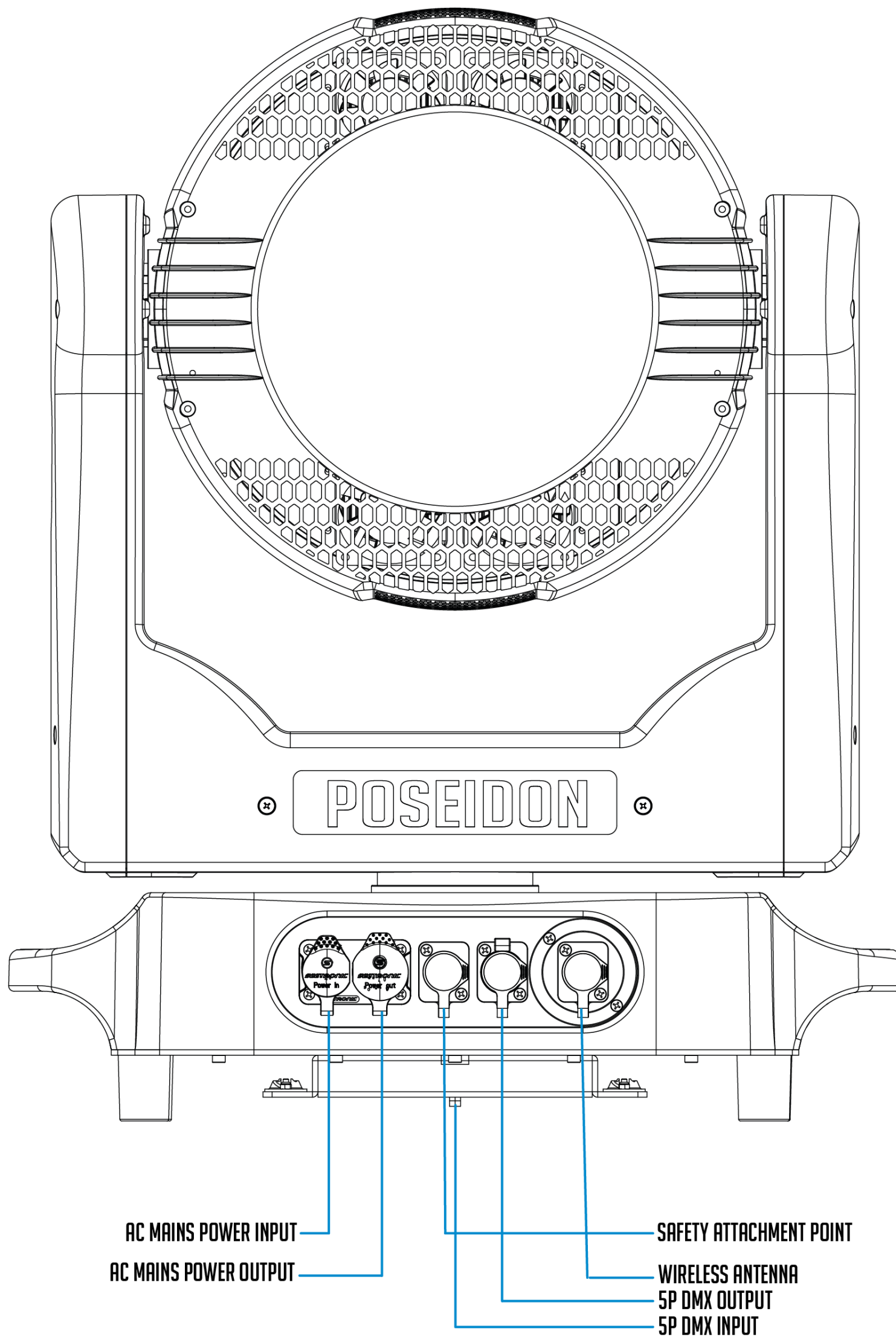
- The exterior of the fixture becomes hot during use. Avoid contact by persons and materials. Allow the fixture to cool for at least 5 minutes before handling.
- Keep all combustible materials (e.g. fabric, wood, paper) at least 1 metres away from the fixture.
- Keep flammable materials well away from the fixture.
- Ensure that there is free and unobstructed airflow around the fixture.
- Do not illuminate surfaces within 1 metres of the fixture.
- Do not attempt to bypass thermostatic switches or fuses.
- If you relay power from one fixture to another using power throughout sockets, do not connect more than five fixtures in total to each other in an interconnected chain.
- Connect only other fixtures to fixture power throughout sockets.
- Do not stick filters, masks or other materials onto any optical component.
- Do not modify the fixture in any way not described in this manual.

PROTECTION FROM INJURY



- Fasten the fixture securely to a fixed surface or structure when in use. The fixture is not portable when installed.
- Ensure that any supporting structure and/or hardware used can hold at least 10 times the weight of all the devices they support.
- Allow enough clearance around the head to ensure that it cannot collide with an object or another fixture when it moves.
- Check that all external covers and rigging hardware are securely fastened.
- Block access below the work area and work from a stable platform whenever installing, servicing or moving the fixture.
- Do not operate the fixture with missing or damaged covers, shields or any optical component.

FIXTURE OVERVIEW



INTRODUCTION

POWERFUL OUTDOOR WASH

- IP65 RATING
- 4.5° - 60° ZOOM
- ROTATABLE KALEIDOSCOPIIC LENS
- HALO PIXEL RING
- POWERFUL OSRAM RGBW LEDS

USING FOR THE FIRST TIME

Warning! Read “Safety Information” before installing, powering, operating or servicing the fixture. Before applying power to the fixture:

Check that the local AC mains power source is within the power voltage and frequency ranges of the fixture

See “Power cables and power plug”. Install a PowerCON TRUE1[®] power input connector power cable.

AC POWER



Warning! Read “Safety Information” starting on before connecting the fixtures to AC mains power.

Warning! For protection from electric shock, the fixture must be grounded (earthed). The power distribution circuit must be equipped with a fuse or circuit breaker and ground-fault (earth-fault) protection.

Warning! Socket outlets or external power switches used to supply the fixture with power must be located near the fixture and easily accessible so that the fixtures can easily be disconnected from power.



Important! Do not insert or remove live PowerCON TRUE 1[®] connectors to apply or cut power, as this may cause arcing at the terminals that will damage the connectors.

Important! Do not use an external dimming system to supply power to the fixture, as this may cause damage to the fixture that is not covered by the product warranty.

The fixture can be hard wired to an electrical installation if you want to install it permanently, or a power plug that is suitable for the local power outlets can be installed on the power cable.



POWER VOLTAGE

Warning! Check that the voltage range specified on the fixture serial number label matches the local AC mains power voltage before applying power to the fixture.

The fixtures accepts AC mains power at 100-240V nominal, 50/60 Hz. Do not apply AC mains power to the fixture at any other voltage than specified.

POWER CABLES

Power input and throughput cables must be rated 16A minimum, have three conductors 1.5 mm² (16 AWG) minimum conductor size and an outer cable diameter of 5 - 15 mm. Cables must be hard usage type (SJT or equivalent) and heat-resistant to 90°C minimum. In the EU the cable must be HAR approved or equivalent.

If you install a power plug on the power cable, install a grounding-type (earthed) plug that is rated 16A minimum. Follow the plug manufacturer's instructions. Table 1 shows standard wire color-coding schemes and some possible pin identification schemes; if pins are not clearly identified.

Wire Color (EU models)	Wire Color (US models)	Conductor	Symbol
Brown	Black	Live	L
Blue	White	Neutral	N
Yellow/Green	Green	Ground (earth)	⊕ or ⊥

DAISY-CHAIN POWER TO OTHER DEVICES

Warning! Do not connect more than three fixtures in total in one interconnected chain. Power can be relayed to another device via the PowerCON TRUE 1[®] throughput socket.

If you daisy-chain the fixtures in a chain so that they all draw AC mains power via the first fixture, certain points must be respected:

A heavy duty, three-conductor, 16 AWG or 1.5 mm² cable with SJT or equivalent cable jacket must be used to connect the first fixture to AC mains power. PowerCON TRUE1[®] connectors must be used to draw

AC mains power from the fixtures power throughput socket and yellow PowerCON TRUE 1[®] connectors must be used to supply power at the fixture's power input sockets.

DATA LINK

A DMX 512 data link is required in order to control a fixture via DMX. The fixture has 5-pin XLR connectors for DMX data input and output. The pin-out on all connectors is pin 1 = shield, pin 2 = cold (-), and pin 3 = hot (+) Pins 4 and 5 in the 5-pin XLR connectors are not in use.

TIPS FOR RELIABLE DATA TRANSMISSION

To connect the fixture to data:

1. Connect the DMX data output from the controller to the 5-pin XLR connector of the nearest fixture.
2. Connect the DMX output of the first fixture to the DMX input of the next fixture and continue connecting fixtures.

PHYSICAL INSTALLATION

Warning! The fixture must be either fastened to a flat surface such as a stage or wall, or clamped to a truss or similar structure in any orientation using a rigging clamp.

Warning! Always attach an approved safety cable to one of the safety cable attachment points on the base.

Do not illuminate surfaces within 1 meters of the fixture. Ensure that flammable materials (wood, fabric, paper, etc.) are minimum 1 meters from the fixture and allow a free airflow around the fixture.



FASTENING THE FIXTURE TO A FLAT SURFACE

The fixture can be fastened to a fixed flat surface that is oriented at any angle. Check that the surface can support at least 10 times the weight of all fixtures and equipment to be installed.

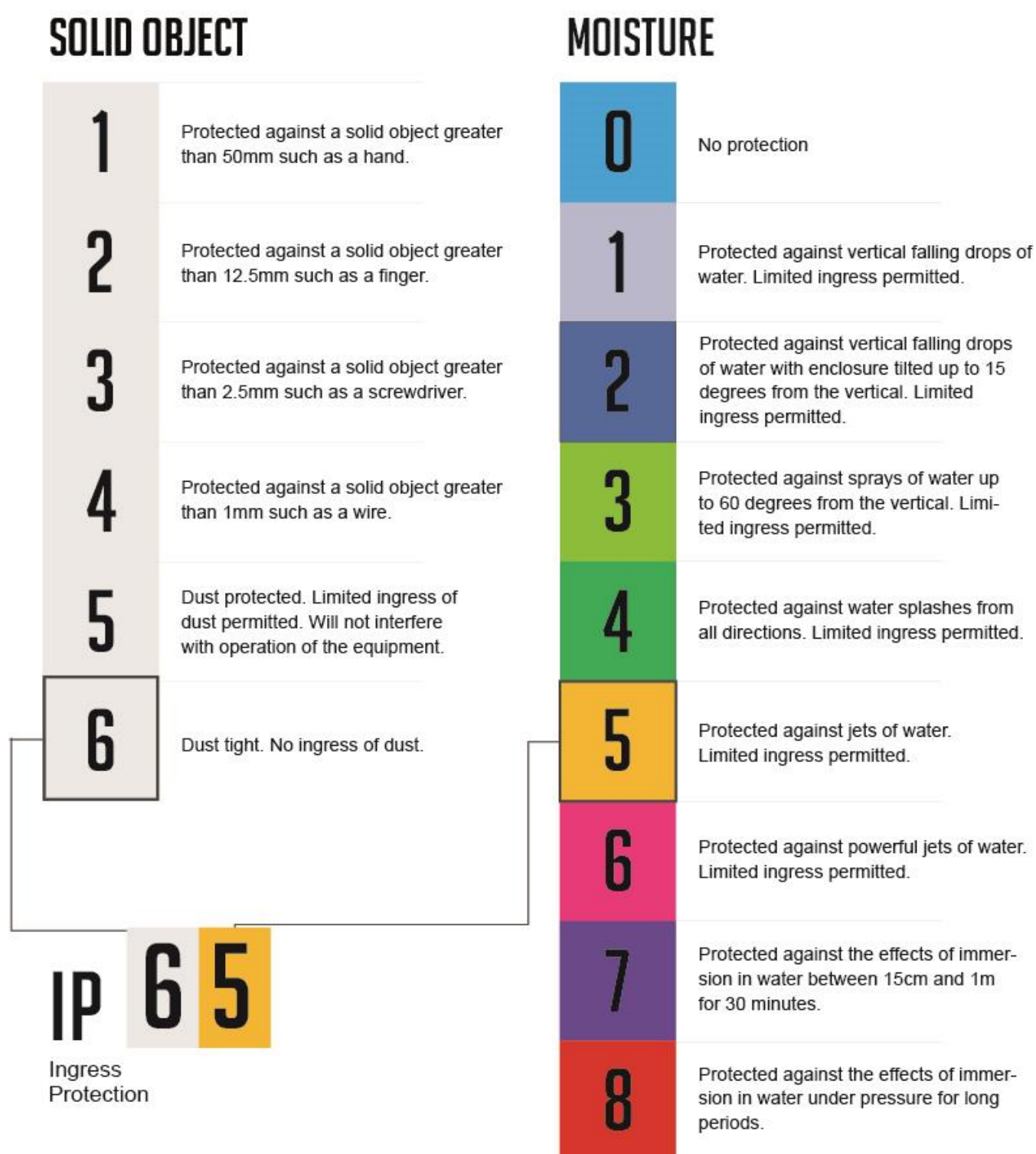
Warning! The supporting surface must be hard and flat or cooling may be blocked, which will cause overheating. Fasten the fixture securely. Do not place it on unstable surfaces. Always attach a securely anchored safety cable to the safety cable attachment point.



Block access under the construction area. Work from a stable platform, hang the fixture on a truss with the arrow on the base towards the area to be illuminated. Tighten the rigging clamp.

OUTDOOR IP-RATED FIXTURES

CLF products are applied to official classified IP norm levels. For this product the IP rate is IP65 when using the covers for the chassis parts. IP65 means according classified norm: shielded against dust and pressurized water from any side. Typical use for outdoor rated stage events with normal weather acceptance. So no heavy rain, because then the water pressure over exceeds the IP norm.



CONDENSATION/MOISTURE INSIDE HOUSING

Because of high humidity levels during production condensation can occur inside the housing. This is mostly visible on the coldest parts of the fixture, like the front glass or display. To prevent this problem we work with special conditioned areas for outdoor fixtures. Because of the breathing air valves it is still possible to get humidity inside the fixture. This will evaporate slowly. Do not put wet fixtures in a flightcase, this will help humidity enter the fixture.

FIXTURES TEMPERATURE SPECIFICATION

Make sure the fixture is used within its working temperature range. Outside this range we cannot guarantee correct operation.

TEMPORARY USAGE

Stage event equipment is designed for temporary outdoor use. Materials are not designed for long-term exposure to heavy weather conditions. Rubber covers will be negatively affected by long-term UV exposure and should be checked by qualified service technicians over time. Tightening screws too hard will negatively affect the IP-rating.

SETUP

Warning! Read “Safety Information” before installing, powering, operating the fixture.

CONTROL PANEL AND MENU NAVIGATION

The onboard control panel and backlit graphic display are used to adjust the DMX address, fixture settings (personality), service utilities. See “Onboard control menus” for a complete list of menus and commands.

Using the control buttons:

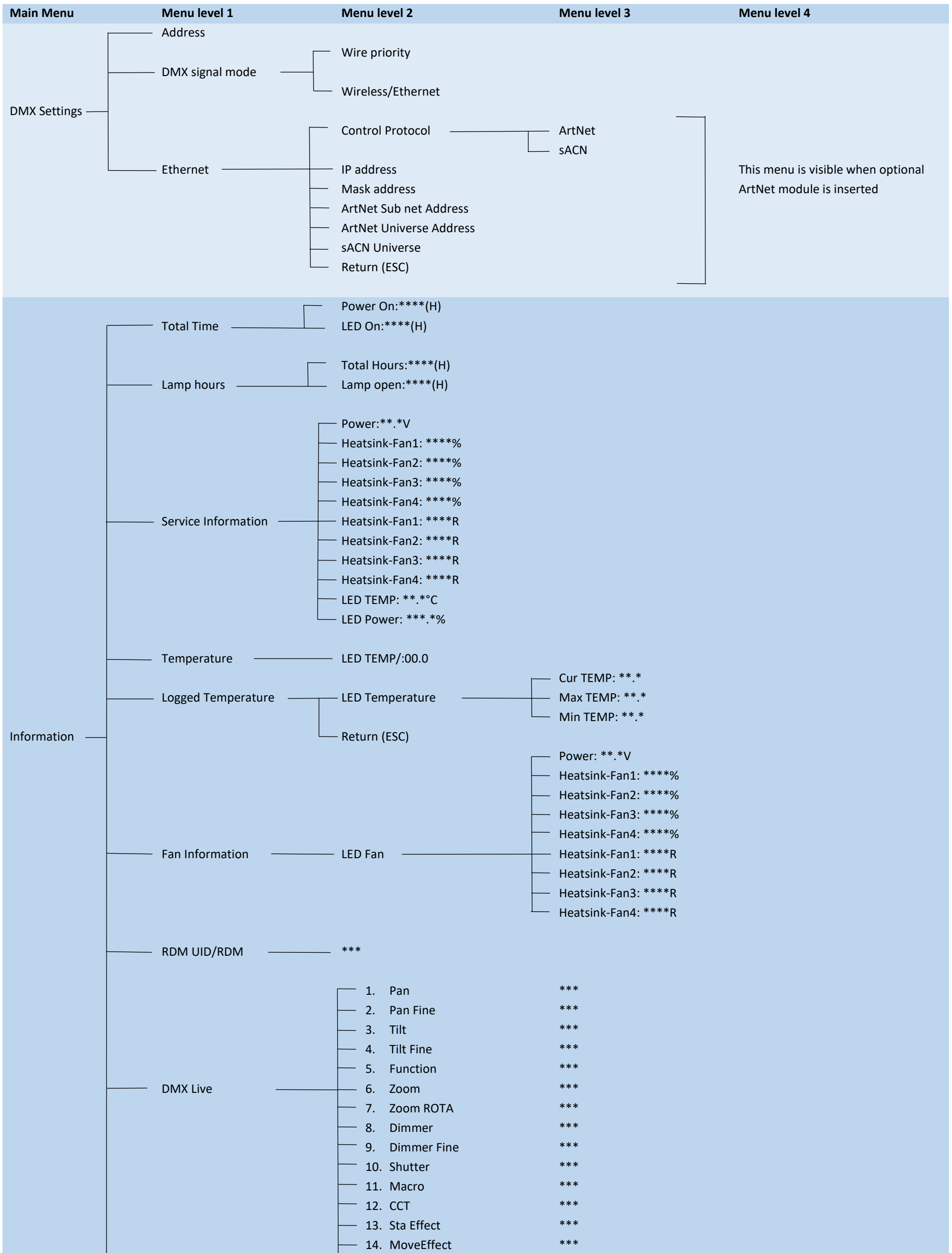
- To enter the menu select [ENTER].
- Press [UP], [DOWN], [LEFT] AND [RIGHT] to scroll within a menu or adjust values.
- To enter a menu, select a function or apply a selection, press [ENTER].
- To escape a function or move back one level in the menu structure, press [LEFT].

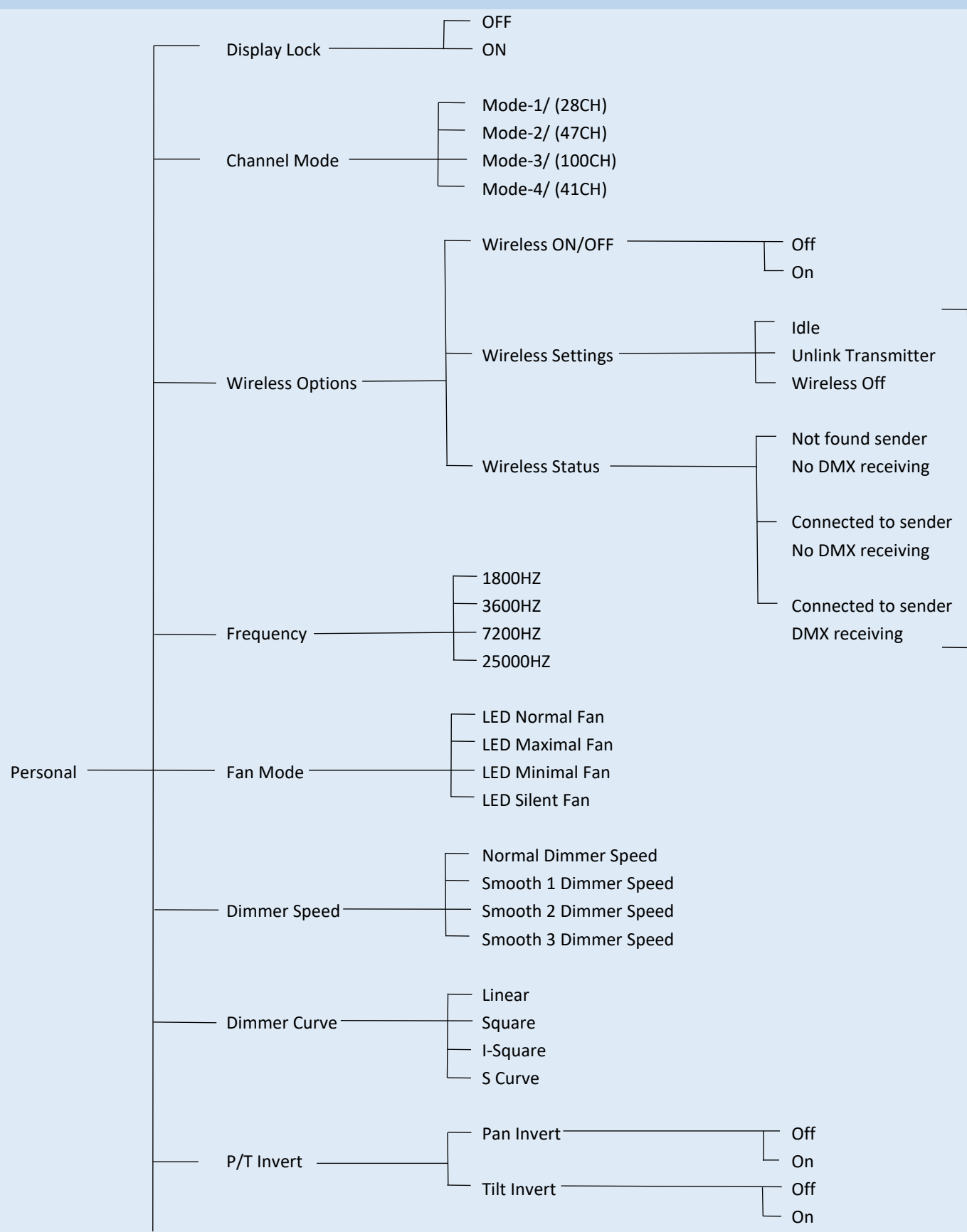
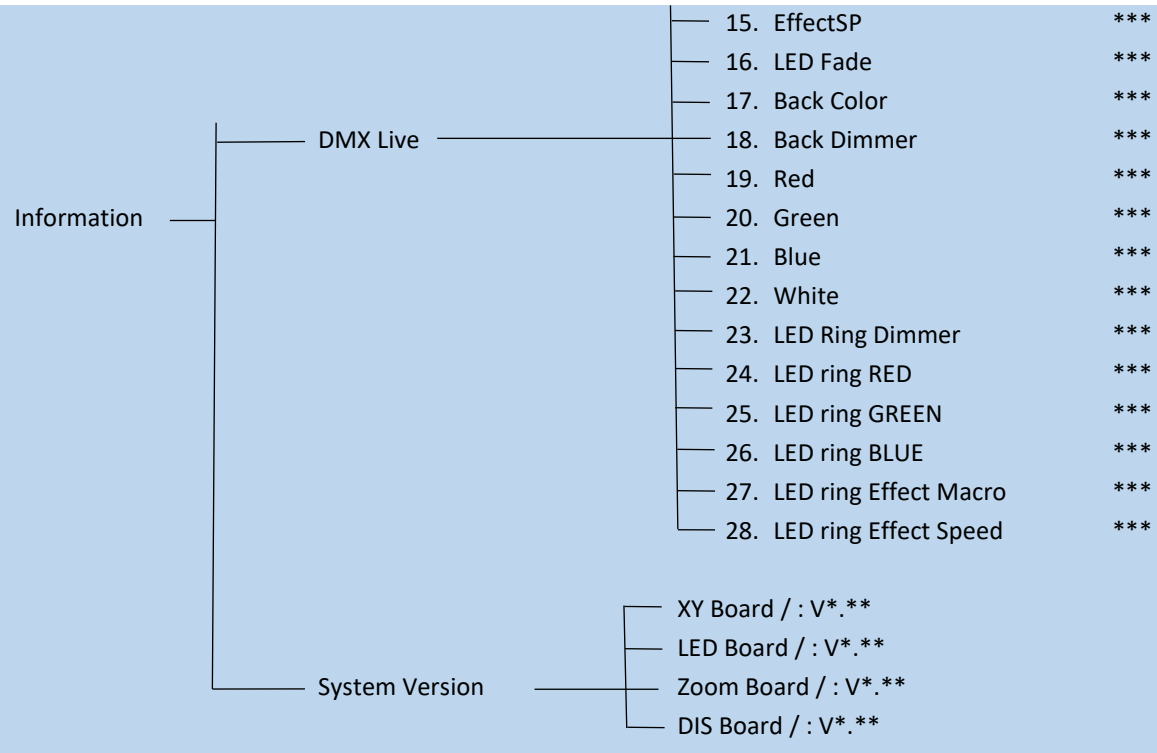
DMX ADDRESS SETTING

The DMX address is the first channel used to receive instructions from the controller. For independent control, each fixture must be assigned to a separate channel. The DMX address can be configured by using the DMX ADDRESS menu in the control panel.

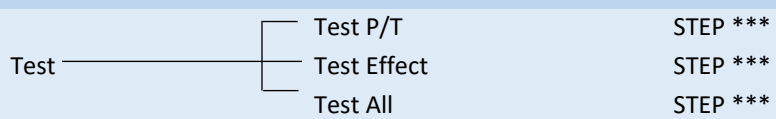
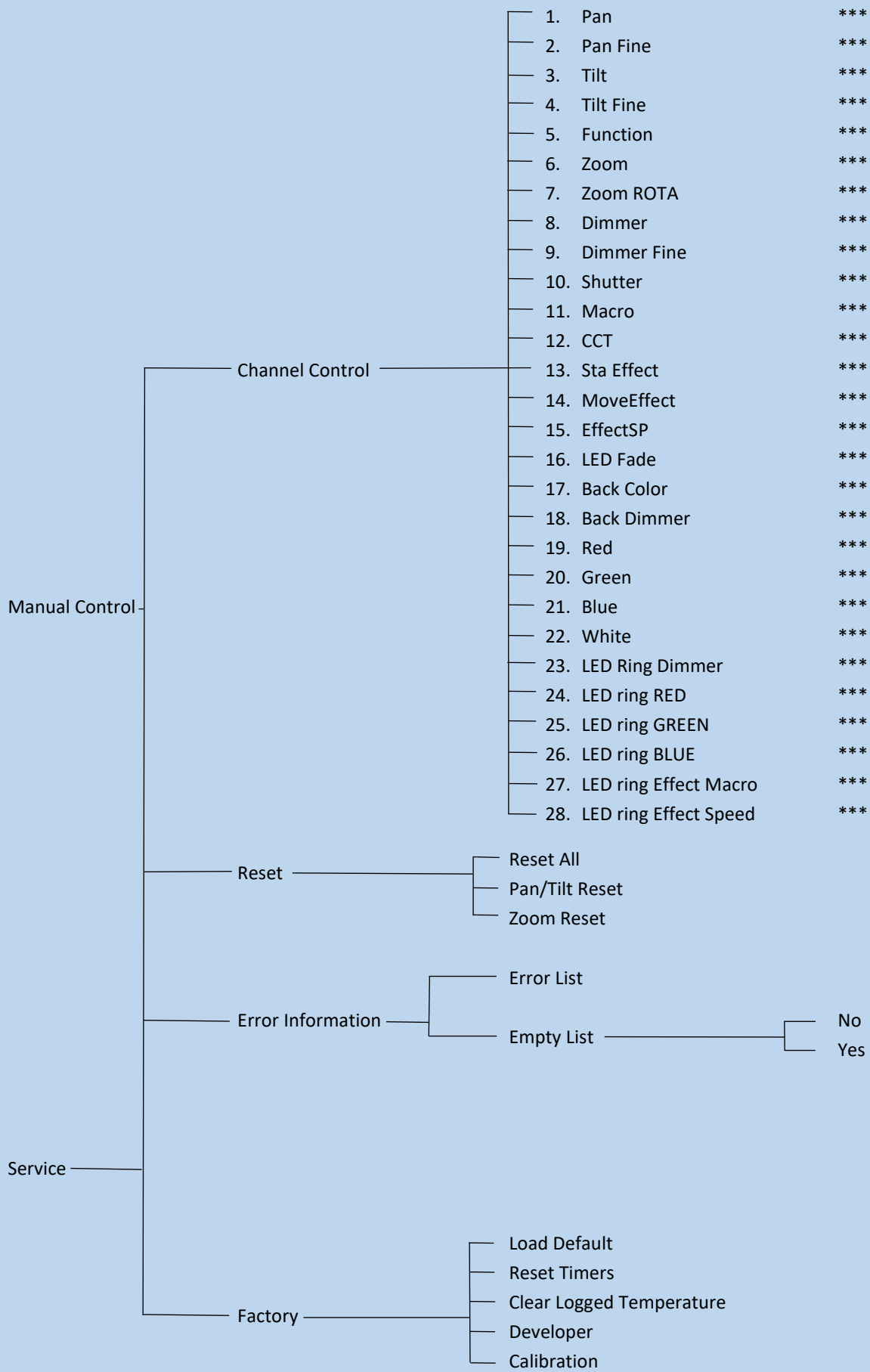
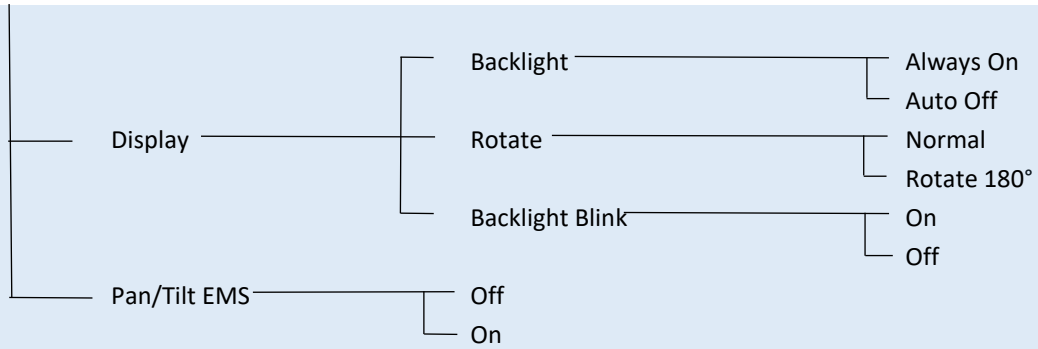
- NO DMX: Display flashes and shows at ‘DMX: X’.
- DMX: Display backlight turns off and shows ‘DMX: V’.
- The fixture is fully RDM ready. For RDM functions please refer to the ANSI/ESTA E1.20-2006 standard.

ONBOARD CONTROL MENUS





This menu is invisible and will only be displayed when the wireless module is inserted



Language English

Rotate Normal

Display Rotate 180°

DMX PROTOCOL 28CH

Channel	Function	Value	Function	Remark
1	Pan	0-225	Pan	
2	Pan Fine	0-225	Pan Fine	
3	Tilt	0-225	Tilt	
4	Tilt Fine	0-10	Tilt Fine	
5	Function	0-10	No Function	
		11-15	DMX Input	
		16-20	Wireless / ArtNet Input	
		21-25	W-DMX / ArtNet Reset	
		26-30	Zoom Reset	
		31-40	P / T Reset	
		41-50	Fixture Reset	
		51-55	LED NORMAL FAN	
		56-60	LED MAXIMAL FAN	
		61-65	LED MINIMAL FAN	
		66-70	LED SILENT FAN	
		71-75	RGBW Color Mixing Mode	
		76-80	CMY Colour Mixing Mode	
		81-85	DISPLAY ON	
		86-90	DISPLAY OFF	
		91-95	CALIBRATION FACTORY	
		96-102	CALIBRATION MANUAL	
		103-105	Enable Pixel Map	
		106-110	Disable Pixel Map	
		111-115	1800HZ	
116-120	3600HZ			
121-125	7200HZ			
126-130	25000HZ			
131-135	Beam mode on			
136-140	Beam mode off			
141-255	No Function			
6		0-225	Zoom	
7		0-100	Zoom Rotation	
		101-127	LENS ANGLE 0-60°	
		128-190	Shaking Lens from slow to fast	
		191-192	CW Rotation Speed fast to slow	Only in aisle 6 ZOOM <44 channel is effect
		193-255	Stop Rotation	
8		0-225	Dimmer	
9		0-225	Dimmer Fine	
10			Shutter	
		0-9	Shutter Closed	
		10-49	Slow Closing, Fast Opening	slow-fast
		50-89	Fast Closing, Slow Opening	slow-fast
		90-119	Slow Closing, Slow Opening	slow-fast
		120-179	Random Strobe	slow-fast
		180-249	Synchronous Strobe	slow-fast
	250-255	Shutter Open		
11			Macro	
		0-4	No Function	
		5	LEE 002 Rose Pink	
		6	LEE 004 Medium Bastard Amber	
		7	LEE 007 Pale Yellow	
		8	LEE 008 Dark Salmon	
		9	LEE 009 Pale Amber Gold	
		10	LEE 010 Medium Yellow	
		11	LEE 013 Straw Tint	
		12	LEE 015 Deep Straw	
		13	LEE 017 Surprise Peach	
		14	LEE 020 Medium Amber	
		15	LEE 022 Dark Amber	
		16	LEE 025 Sunset Red	
		17	LEE 026 Bright Red	
		18	LEE 036 Medium Pink	
		19	LEE 048 Rose Purple	
		20	LEE 058 Lavender	
		21	LEE 063 Pale Blue	
		22	LEE 068 Sky Blue	
		23	LEE 071 Tokyo Blue	
		24	LEE 075 Evening Blue	
		25	LEE 088 Lime Green	
		26	LEE 089 Moss Green	

Channel	Function	Value	Function	Remark
		27	LEE 090 Dark Yellow Green	
		28	LEE 101 Yellow	
		29	LEE 103 Straw	
		30	LEE 104 Deep Amber	
		31	LEE 105 Orange	
		32	LEE 106 Primary Red	
		33	LEE 107 Light Rose	
		34	LEE 108 English Rose	
		35	LEE 109 Light Salmon	
		36	LEE 110 Middle Rose	
		37	LEE 111 Dark Pink	
		38	LEE 113 Magenta	
		39	LEE 115 Peacock Blue	
		40	LEE 117 Steel Blue	
		41	LEE 118 Light Blue	
		42	LEE 119 Dark Blue	
		43	LEE 121 LEE Green	
		44	LEE 122 Fern Green	
		45	LEE 124 Dark Green	
		46	LEE 126 Mauve	
		47	LEE 127 Smokey Pink	
		48	LEE 128 Bright Pink	
		49	LEE 131 Marine Blue	
		50	LEE 132 Medium Blue	
		51	LEE 134 Golden Amber	
		52	LEE 135 Deep Golden Amber	
		53	LEE 137 Special Lavender	
		54	LEE 138 Pale Green	
		55	LEE 139 Primary Green	
		56	LEE 140 Summer Blue	
		57	LEE 141 Bright Blue	
		58	LEE 142 Pale Violet	
		59	LEE 143 Pale Navy Blue	
		60	LEE 144 No Colour Blue	
		61	LEE 147 Apricot	
		62	LEE 148 Bright Rose	
		63	LEE 151 Gold Tint	
11		64	LEE 152 Pale Gold	
		65	LEE 153 Pale Salmon	
		66	LEE 154 Pale Rose	
		67	LEE 156 Chocolate	
		68	LEE 157 Pink	
		69	LEE 158 Deep Orange	
		70	LEE 161 Slate Blue	
		71	LEE 162 Bastard Amber	
		72	LEE 164 Flame Red	
		73	LEE 165 Daylight Blue	
		74	LEE 170 Deep Lavender	
		75	LEE 172 Lagoon Blue	
		76	LEE 174 Dark Steel Blue	
		77	LEE 176 Loving Amber	
		78	LEE 179 Chrome Orange	
		79	LEE 180 Dark Lavender	
		80	LEE 181 Congo Blue	
		81	LEE 183 Moonlight Blue	
		82	LEE 192 Flesh Pink	
		83	LEE 194 Surprise Pink	
		84	LEE 195 Zenith Blue	
		85	LEE 196 True Blue	
		86	LEE 197 Alice Blue	
		87	LEE 198 Palace Blue	
		88	LEE 199 Regal Blue	
		89	LEE 200 Double CTB	
		90	LEE 201 Full CTB	
		91	LEE 202 Half CTB	
		92	LEE 203 Quarter CTB	
		93	LEE 204 Full CTO	
		94	LEE 205 Half CTO	
		95	LEE 206 Quarter CTO	
		96	LEE 207 Full CTO + .3 ND	
		97	LEE 208 Full CTO + .6 ND	
		98	LEE 212 LCT Yellow (Y1)	
		99	LEE 213 White Flame Green	

Channel	Function	Value	Function	Remark
		100	LEE 219 LEE Fluorescent Green	
		101	LEE 230 Super Correction LCT Yellow	
		102	LEE 232 Super Correction W.F. Green	
		103	LEE 236 HMI (to Tungsten)	
		104	LEE 237 CID (to Tungsten)	
		105	LEE 238 CSI (to Tungsten)	
		106	LEE 241 LEE Fluorescent 5700 Kelvin	
		107	LEE 242 LEE Fluorescent 4300 Kelvin	
		108	LEE 243 LEE Fluorescent 3600 Kelvin	
		109	LEE 244 LEE Plus Green	
		110	LEE 245 Half Plus Green	
		111	LEE 247 LEE Minus Green	
		112	LEE 248 Half Minus Green	
		113	LEE 249 Quarter Minus Green	
		114	LEE 281 Three Quarter CTB	
		115	LEE 283 One and a Half CTB	
		116	LEE 285 Three Quarter CTO	
		117	LEE 286 One and a Half CTO	
		118	LEE 287 Double CTO	
		119	LEE 322 Soft Green	
		120	LEE 323 Jade	
		121	LEE 327 Forest Green	
		122	LEE 328 Follies Pink	
		123	LEE 332 Special Rose Pink	
		124	LEE 343 Special Medium Lavender	
		125	LEE 345 Fuchsia Pink	
		126	LEE 352 Glacier Blue	
		127	LEE 353 Lighter Blue	
		128	LEE 354 Special Steel Blue	
		129	LEE 363 Special Medium Blue	
		130	LEE 366 Cornflower	
		131	LEE 441 Full CT Straw	
		132	LEE 442 Half CT Straw	
		133	LEE 444 Eighth CT Straw	
		134	LEE 500 Double New Colour Blue	
11		135	LEE 501 New Colour Blue (Robertson Blue)	
		136	LEE 502 Half New Colour Blue	
		137	LEE 504 Waterfront Green	
		138	LEE 505 Sally Green	
		139	LEE 506 Marlene	
		140	LEE 507 Madge	
		141	LEE 508 Midnight Maya	
		142	LEE 525 Argent Blue	
		143	LEE 550 ALD Gold	
		144	LEE 604 Full CT Eight Five	
		145	LEE 650 Industry Sodium	
		146	LEE 651 HI Sodium	
		147	LEE 652 Urban Sodium	
		148	LEE 700 Perfect Lavender	
		149	LEE 701 Provence	
		150	LEE 702 Special Pale Lavender	
		151	LEE 703 Cold Lavender	
		152	LEE 704 Lily	
		153	LEE 706 King Fals Lavender	
		154	LEE 708 Cool Lavender	
		155	LEE 709 Electric Lilac	
		156	LEE 710 Spir Special Blue	
		157	LEE 711 Cold Blue	
		158	LEE 712 Bedford Blue	
		159	LEE 714 Elysian Blue	
		160	LEE 715 Cabana Blue	
		161	LEE 716 Mikkel Blue	
		162	LEE 719 Colour Wash Blue	
		163	LEE 721 Berry Blue	
		164	LEE 722 Bray Blue	
		165	LEE 723 Virgin Blue	
		166	LEE 724 Ocean Blue	
		167	LEE 725 Old Steel Blue	
		168	LEE 727 QFD Blue	
		169	LEE 728 Steel Green	
		170	LEE 729 Scuba Blue	
		171	LEE 736 Twickenham Green	
		172	LEE 738 JAS Green	

Channel	Function	Value	Function	Remark
11		173	LEE 742 Bram Brown	
		174	LEE 744 Dirty White	
		175	LEE 747 Easy White	
		176	LEE 748 Seedy Pink	
		177	LEE 763 Wheat	
		178	LEE 764 Sun Colour Straw	
		179	LEE 765 LEE Yellow	
		180	LEE 767 Oklahoma Yellow	
		181	LEE 768 Egg Yolk Yellow	
		182	LEE 770 Burnt Yellow	
		183	LEE 777 Rust	
		184	LEE 778 Millennium Gold	
		185	LEE 779 Bastard Pink	
		186	LEE 780 AS Golden Amber	
		187	LEE 781 Terry Red	
		188	LEE 790 Moroccan Pink	
		189	LEE 793 Vanity Fair	
		190	LEE 794 Pretty 'n Pink	
		191	LEE 795 Magical Magenta	
	192	LEE 799 Special KH Lavender		
	193-255		Color Effect	
12		0-225	CCT	
13		0-142	Static LED Effect	
14		0-225	Move LED Effect	
15		0-225	Move LED Effect Speed	
16		0-225	LED Effect Delay	
17		0-225	Background Color	
18		0-225	Background Dimmer	
19		0-225	Red	
20		0-225	Green	
21		0-225	Blue	
22		0-225	White	
23		0-225	LED ring Dimmer	
24		0-225	LED ring RED	
25		0-225	LED ring GREEN	
26		0-225	LED ring BLUE	
			LED ring Effect Macro	
27		0-9	Shutter closed	
		10-19	Shutter open	
		20-39	Strobe, slow to fast	
		40-255	Effect Macro	
28		0-255	LED ring Effect Speed	

DMX PROTOCOL 47CH

Channel	Function	Value	Function	Remark
1	Pan	0-225	Pan	
2	Pan Fine	0-225	Pan Fine	
3	Tilt	0-225	Tilt	
4	Tilt Fine	0-10	Tilt Fine	
5	Function	0-10	No Function	
		11-15	DMX Input	
		16-20	Wireless / ArtNet Input	
		21-25	W-DMX / ArtNet Reset	
		26-30	Zoom Reset	
		31-40	P/T Reset	
		41-50	Fixture Reset	
		51-55	LED NORMAL FAN	
		56-60	LED MAXIMAL FAN	
		61-65	LED MINIMAL FAN	
		66-70	LED SILENT FAN	
		71-75	RGBW Color Mixing Mode	
		76-80	CMY Colour Mixing Mode	
		81-85	DISPLAY ON	
		86-90	DISPLAY OFF	
		91-95	CALIBRATION FACTORY	
		96-102	CALIBRATION MANUAL	
		103-105	Enable Pixel Map	
		106-110	Disable Pixel Map	
		111-115	1800HZ	
116-120	3600HZ			
121-125	7200HZ			
126-130	25000HZ			
131-135	Beam mode on			
136-140	Beam mode off			
141-255	No Function			
6		0-225	Zoom	
7			Zoom Rotation	
		0-100	LENS ANGLE 0-60°	
		101-127	Shaking Lens from slow to fast	
		128-190	CW Rotation Speed fast to slow	Only in aisle 6 ZOOM <44 channel is effect
		191-192	Stop Rotation	
193-255	CCW Rotation Speed slow to fast			
8		0-225	Dimmer	
9		0-225	Dimmer Fine	
10			Shutter	
		0-9	Shutter Closed	
		10-49	Slow Closing, Fast Opening	slow-fast
		50-89	Fast Closing, Slow Opening	slow-fast
		90-119	Slow Closing, Slow Opening	slow-fast
		120-179	Random Strobe	slow-fast
		180-249	Synchronous Strobe	slow-fast
250-255	Shutter OPEN			
11			Macro	
		0-4	No Function	
		5	LEE 002 Rose Pink	
		6	LEE 004 Medium Bastard Amber	
		7	LEE 007 Pale Yellow	
		8	LEE 008 Dark Salmon	
		9	LEE 009 Pale Amber Gold	
		10	LEE 010 Medium Yellow	
		11	LEE 013 Straw Tint	
		12	LEE 015 Deep Straw	
		13	LEE 017 Surprise Peach	
		14	LEE 020 Medium Amber	
		15	LEE 022 Dark Amber	
		16	LEE 025 Sunset Red	
		17	LEE 026 Bright Red	
		18	LEE 036 Medium Pink	
		19	LEE 048 Rose Purple	
		20	LEE 058 Lavender	
		21	LEE 063 Pale Blue	
		22	LEE 068 Sky Blue	
		23	LEE 071 Tokyo Blue	
		24	LEE 075 Evening Blue	
		25	LEE 088 Lime Green	

Channel	Function	Value	Function	Remark
		26	LEE 089 Moss Green	
		27	LEE 090 Dark Yellow Green	
		28	LEE 101 Yellow	
		29	LEE 103 Straw	
		30	LEE 104 Deep Amber	
		31	LEE 105 Orange	
		32	LEE 106 Primary Red	
		33	LEE 107 Light Rose	
		34	LEE 108 English Rose	
		35	LEE 109 Light Salmon	
		36	LEE 110 Middle Rose	
		37	LEE 111 Dark Pink	
		38	LEE 113 Magenta	
		39	LEE 115 Peacock Blue	
		40	LEE 117 Steel Blue	
		41	LEE 118 Light Blue	
		42	LEE 119 Dark Blue	
		43	LEE 121 LEE Green	
		44	LEE 122 Fern Green	
		45	LEE 124 Dark Green	
		46	LEE 126 Mauve	
		47	LEE 127 Smokey Pink	
		48	LEE 128 Bright Pink	
		49	LEE 131 Marine Blue	
		50	LEE 132 Medium Blue	
		51	LEE 134 Golden Amber	
		52	LEE 135 Deep Golden Amber	
		53	LEE 137 Special Lavender	
		54	LEE 138 Pale Green	
		55	LEE 139 Primary Green	
		56	LEE 140 Summer Blue	
		57	LEE 141 Bright Blue	
		58	LEE 142 Pale Violet	
		59	LEE 143 Pale Navy Blue	
		60	LEE 144 No Colour Blue	
11		61	LEE 147 Apricot	
		62	LEE 148 Bright Rose	
		63	LEE 151 Gold Tint	
		64	LEE 152 Pale Gold	
		65	LEE 153 Pale Salmon	
		66	LEE 154 Pale Rose	
		67	LEE 156 Chocolate	
		68	LEE 157 Pink	
		69	LEE 158 Deep Orange	
		70	LEE 161 Slate Blue	
		71	LEE 162 Bastard Amber	
		72	LEE 164 Flame Red	
		73	LEE 165 Daylight Blue	
		74	LEE 170 Deep Lavender	
		75	LEE 172 Lagoon Blue	
		76	LEE 174 Dark Steel Blue	
		77	LEE 176 Loving Amber	
		78	LEE 179 Chrome Orange	
		79	LEE 180 Dark Lavender	
		80	LEE 181 Congo Blue	
		81	LEE 183 Moonlight Blue	
		82	LEE 192 Flesh Pink	
		83	LEE 194 Surprise Pink	
		84	LEE 195 Zenith Blue	
		85	LEE 196 True Blue	
		86	LEE 197 Alice Blue	
		87	LEE 198 Palace Blue	
		88	LEE 199 Regal Blue	
		89	LEE 200 Double CTB	
		90	LEE 201 Full CTB	
		91	LEE 202 Half CTB	
		92	LEE 203 Quarter CTB	
		93	LEE 204 Full CTO	
		94	LEE 205 Half CTO	
		95	LEE 206 Quarter CTO	
		96	LEE 207 Full CTO + .3 ND	
		97	LEE 208 Full CTO + .6 ND	
		98	LEE 212 LCT Yellow (Y1)	

Channel	Function	Value	Function	Remark
		99	LEE 213 White Flame Green	
		100	LEE 219 LEE Fluorescent Green	
		101	LEE 230 Super Correction LCT Yellow	
		102	LEE 232 Super Correction W.F. Green	
		103	LEE 236 HMI (to Tungsten)	
		104	LEE 237 CID (to Tungsten)	
		105	LEE 238 CSI (to Tungsten)	
		106	LEE 241 LEE Fluorescent 5700 Kelvin	
		107	LEE 242 LEE Fluorescent 4300 Kelvin	
		108	LEE 243 LEE Fluorescent 3600 Kelvin	
		109	LEE 244 LEE Plus Green	
		110	LEE 245 Half Plus Green	
		111	LEE 247 LEE Minus Green	
		112	LEE 248 Half Minus Green	
		113	LEE 249 Quarter Minus Green	
		114	LEE 281 Three Quarter CTB	
		115	LEE 283 One and a Half CTB	
		116	LEE 285 Three Quarter CTO	
		117	LEE 286 One and a Half CTO	
		118	LEE 287 Double CTO	
		119	LEE 322 Soft Green	
		120	LEE 323 Jade	
		121	LEE 327 Forest Green	
		122	LEE 328 Follies Pink	
		123	LEE 332 Special Rose Pink	
		124	LEE 343 Special Medium Lavender	
		125	LEE 345 Fuchsia Pink	
		126	LEE 352 Glacier Blue	
		127	LEE 353 Lighter Blue	
		128	LEE 354 Special Steel Blue	
		129	LEE 363 Special Medium Blue	
		130	LEE 366 Cornflower	
		131	LEE 441 Full CT Straw	
		132	LEE 442 Half CT Straw	
11		133	LEE 444 Eighth CT Straw	
		134	LEE 500 Double New Colour Blue	
		135	LEE 501 New Colour Blue (Robertson Blue)	
		136	LEE 502 Half New Colour Blue	
		137	LEE 504 Waterfront Green	
		138	LEE 505 Sally Green	
		139	LEE 506 Marlene	
		140	LEE 507 Madge	
		141	LEE 508 Midnight Maya	
		142	LEE 525 Argent Blue	
		143	LEE 550 ALD Gold	
		144	LEE 604 Full CT Eight Five	
		145	LEE 650 Industry Sodium	
		146	LEE 651 HI Sodium	
		147	LEE 652 Urban Sodium	
		148	LEE 700 Perfect Lavender	
		149	LEE 701 Provence	
		150	LEE 702 Special Pale Lavender	
		151	LEE 703 Cold Lavender	
		152	LEE 704 Lily	
		153	LEE 706 King Fals Lavender	
		154	LEE 708 Cool Lavender	
		155	LEE 709 Electric Lilac	
		156	LEE 710 Spir Special Blue	
		157	LEE 711 Cold Blue	
		158	LEE 712 Bedford Blue	
		159	LEE 714 Elysian Blue	
		160	LEE 715 Cabana Blue	
		161	LEE 716 Mikkel Blue	
		162	LEE 719 Colour Wash Blue	
		163	LEE 721 Berry Blue	
		164	LEE 722 Bray Blue	
		165	LEE 723 Virgin Blue	
		166	LEE 724 Ocean Blue	
		167	LEE 725 Old Steel Blue	
		168	LEE 727 QFD Blue	
		169	LEE 728 Steel Green	
		170	LEE 729 Scuba Blue	
		171	LEE 736 Twickenham Green	

Channel	Function	Value	Function	Remark
11		172	LEE 738 JAS Green	
		173	LEE 742 Bram Brown	
		174	LEE 744 Dirty White	
		175	LEE 747 Easy White	
		176	LEE 748 Seedy Pink	
		177	LEE 763 Wheat	
		178	LEE 764 Sun Colour Straw	
		179	LEE 765 LEE Yellow	
		180	LEE 767 Oklahoma Yellow	
		181	LEE 768 Egg Yolk Yellow	
		182	LEE 770 Burnt Yellow	
		183	LEE 777 Rust	
		184	LEE 778 Millennium Gold	
		185	LEE 779 Bastard Pink	
		186	LEE 780 AS Golden Amber	
		187	LEE 781 Terry Red	
		188	LEE 790 Moroccan Pink	
		189	LEE 793 Vanity Fair	
		190	LEE 794 Pretty 'n Pink	
		191	LEE 795 Magical Magenta	
	192	LEE 799 Special KH Lavender		
	193-255		Color Effect	
12		0-225	CCT	
13		0-142	Static Effect	
14		0-225	Move Effect	
15		0-225	Move Effect Speed	
16		0-225	LED Effect Delay	
17		0-225	Background Color	
18		0-225	Background Dimmer	
19		0-225	Red	
20		0-225	Green	
21		0-225	Blue	
22		0-225	White	
23		0-225	Color1	
24		0-225	Color2	
25		0-225	Color3	
26		0-225	Color4	
27		0-225	Color5	
28		0-225	Color6	
29		0-225	Color7	
30		0-225	Color8	
31		0-225	Color9	
32		0-225	Color10	
33		0-225	Color11	
34		0-225	Color12	
35		0-225	Color13	
36		0-225	Color14	
37		0-225	Color15	
38		0-225	Color16	
39		0-225	Color17	
40		0-225	Color18	
41		0-225	Color19	
42		0-225	LED ring Dimmer	
43		0-225	LED ring RED	
44		0-225	LED ring GREEN	
45		0-225	LED ring BLUE	
46			LED ring Effect Macro	
		0-9	Shutter closed	
		10-19	Shutter open	
		20-39	Strobe, slow to fast	
47		40-255	Effect Macro	
		0-225	LED ring Effect Speed	

DMX PROTOCOL 100CH

Channel	Function	Value	Function	Remark	
1	Pan	0-225	Pan		
2	Pan Fine	0-225	Pan Fine		
3	Tilt	0-225	Tilt		
4	Tilt Fine	0-10	Tilt Fine		
5	Function	0-10	No Function		
		11-15	DMX Input		
		16-20	Wireless / ArtNet Input		
		21-25	W-DMX / ArtNet Reset		
		26-30	Zoom Reset		
		31-40	P/T Reset		
		41-50	Fixture Reset		
		51-55	LED NORMAL FAN		
		56-60	LED MAXIMAL FAN		
		61-65	LED MINIMAL FAN		
		66-70	LED SILENT FAN		
		71-75	RGBW Color Mixing Mode		
		76-80	CMY Colour Mixing Mode		
		81-85	DISPLAY ON		
		86-90	DISPLAY OFF		
		91-95	CALIBRATION FACTORY		
		96-102	CALIBRATION MANUAL		
6		103-105	Enable Pixel Map		
		106-110	Disable Pixel Map		
		111-115	1800HZ		
		116-120	3600HZ		
		121-125	7200HZ		
		126-130	25000HZ		
		131-135	Beam mode on		
		136-140	Beam mode off		
		141-255	No Function		
		0-225	Zoom		
7		0-100	Zoom Rotation		
		101-127	LENS ANGLE 0-60°		
		128-190	Shaking Lens from slow to fast		
		191-192	CW Rotation Speed fast to slow	Only in aisle 6 ZOOM <44 channel is effect	
		193-255	Stop Rotation		
8		0-225	CCW Rotation Speed slow to fast		
		0-225	Dimmer		
9		0-225	Dimmer Fine		
10		0-9	Shutter		
		10-49	Shutter Closed	0-3.5	
		50-89	Slow Closing, Fast Opening	slow-fast	3.9-19.2
		90-119	Fast Closing, Slow Opening	slow-fast	19.6-34.9
		120-179	Slow Closing, Slow Opening	slow-fast	35.3-46.7
		180-249	Random Strobe	slow-fast	47.1-70.2
		250-255	Synchronous Strobe	slow-fast	70.6-97.6
11		0-4	Shutter OPEN	98-100	
		5	Macro		
		6	No Function		
		7	LEE 002 Rose Pink		
		8	LEE 004 Medium Bastard Amber		
		9	LEE 007 Pale Yellow		
		10	LEE 008 Dark Salmon		
		11	LEE 009 Pale Amber Gold		
		12	LEE 010 Medium Yellow		
		13	LEE 013 Straw Tint		
		14	LEE 015 Deep Straw		
		15	LEE 017 Surprise Peach		
		16	LEE 020 Medium Amber		
		17	LEE 022 Dark Amber		
		18	LEE 025 Sunset Red		
		19	LEE 026 Bright Red		
		20	LEE 036 Medium Pink		
		21	LEE 048 Rose Purple		
		22	LEE 058 Lavender		
		23	LEE 063 Pale Blue		
		24	LEE 068 Sky Blue		
		25	LEE 071 Tokyo Blue		
			LEE 075 Evening Blue		
			LEE 088 Lime Green		

Channel	Function	Value	Function	Remark
		26	LEE 089 Moss Green	
		27	LEE 090 Dark Yellow Green	
		28	LEE 101 Yellow	
		29	LEE 103 Straw	
		30	LEE 104 Deep Amber	
		31	LEE 105 Orange	
		32	LEE 106 Primary Red	
		33	LEE 107 Light Rose	
		34	LEE 108 English Rose	
		35	LEE 109 Light Salmon	
		36	LEE 110 Middle Rose	
		37	LEE 111 Dark Pink	
		38	LEE 113 Magenta	
		39	LEE 115 Peacock Blue	
		40	LEE 117 Steel Blue	
		41	LEE 118 Light Blue	
		42	LEE 119 Dark Blue	
		43	LEE 121 LEE Green	
		44	LEE 122 Fern Green	
		45	LEE 124 Dark Green	
		46	LEE 126 Mauve	
		47	LEE 127 Smokey Pink	
		48	LEE 128 Bright Pink	
		49	LEE 131 Marine Blue	
		50	LEE 132 Medium Blue	
		51	LEE 134 Golden Amber	
		52	LEE 135 Deep Golden Amber	
		53	LEE 137 Special Lavender	
		54	LEE 138 Pale Green	
		55	LEE 139 Primary Green	
		56	LEE 140 Summer Blue	
		57	LEE 141 Bright Blue	
11		58	LEE 142 Pale Violet	
		59	LEE 143 Pale Navy Blue	
		60	LEE 144 No Colour Blue	
		61	LEE 147 Apricot	
		62	LEE 148 Bright Rose	
		63	LEE 151 Gold Tint	
		64	LEE 152 Pale Gold	
		65	LEE 153 Pale Salmon	
		66	LEE 154 Pale Rose	
		67	LEE 156 Chocolate	
		68	LEE 157 Pink	
		69	LEE 158 Deep Orange	
		70	LEE 161 Slate Blue	
		71	LEE 162 Bastard Amber	
		72	LEE 164 Flame Red	
		73	LEE 165 Daylight Blue	
		74	LEE 170 Deep Lavender	
		75	LEE 172 Lagoon Blue	
		76	LEE 174 Dark Steel Blue	
		77	LEE 176 Loving Amber	
		78	LEE 179 Chrome Orange	
		79	LEE 180 Dark Lavender	
		80	LEE 181 Congo Blue	
		81	LEE 183 Moonlight Blue	
		82	LEE 192 Flesh Pink	
		83	LEE 194 Surprise Pink	
		84	LEE 195 Zenith Blue	
		85	LEE 196 True Blue	
		86	LEE 197 Alice Blue	
		87	LEE 198 Palace Blue	
		88	LEE 199 Regal Blue	
		89	LEE 200 Double CTB	
		90	LEE 201 Full CTB	
		91	LEE 202 Half CTB	
		92	LEE 203 Quarter CTB	
		93	LEE 204 Full CTO	
		94	LEE 205 Half CTO	
		95	LEE 206 Quarter CTO	
		96	LEE 207 Full CTO + .3 ND	
		97	LEE 208 Full CTO + .6 ND	
		98	LEE 212 LCT Yellow (Y1)	

Channel	Function	Value	Function	Remark
		99	LEE 213 White Flame Green	
		100	LEE 219 LEE Fluorescent Green	
		101	LEE 230 Super Correction LCT Yellow	
		102	LEE 232 Super Correction W.F. Green	
		103	LEE 236 HMI (to Tungsten)	
		104	LEE 237 CID (to Tungsten)	
		105	LEE 238 CSI (to Tungsten)	
		106	LEE 241 LEE Fluorescent 5700 Kelvin	
		107	LEE 242 LEE Fluorescent 4300 Kelvin	
		108	LEE 243 LEE Fluorescent 3600 Kelvin	
		109	LEE 244 LEE Plus Green	
		110	LEE 245 Half Plus Green	
		111	LEE 247 LEE Minus Green	
		112	LEE 248 Half Minus Green	
		113	LEE 249 Quarter Minus Green	
		114	LEE 281 Three Quarter CTB	
		115	LEE 283 One and a Half CTB	
		116	LEE 285 Three Quarter CTO	
		117	LEE 286 One and a Half CTO	
		118	LEE 287 Double CTO	
		119	LEE 322 Soft Green	
		120	LEE 323 Jade	
		121	LEE 327 Forest Green	
		122	LEE 328 Follies Pink	
		123	LEE 332 Special Rose Pink	
		124	LEE 343 Special Medium Lavender	
		125	LEE 345 Fuchsia Pink	
		126	LEE 352 Glacier Blue	
		127	LEE 353 Lighter Blue	
		128	LEE 354 Special Steel Blue	
		129	LEE 363 Special Medium Blue	
		130	LEE 366 Cornflower	
		131	LEE 441 Full CT Straw	
		132	LEE 442 Half CT Straw	
		133	LEE 444 Eighth CT Straw	
		134	LEE 500 Double New Colour Blue	
11		135	LEE 501 New Colour Blue (Robertson Blue)	
		136	LEE 502 Half New Colour Blue	
		137	LEE 504 Waterfront Green	
		138	LEE 505 Sally Green	
		139	LEE 506 Marlene	
		140	LEE 507 Madge	
		141	LEE 508 Midnight Maya	
		142	LEE 525 Argent Blue	
		143	LEE 550 ALD Gold	
		144	LEE 604 Full CT Eight Five	
		145	LEE 650 Industry Sodium	
		146	LEE 651 HI Sodium	
		147	LEE 652 Urban Sodium	
		148	LEE 700 Perfect Lavender	
		149	LEE 701 Provence	
		150	LEE 702 Special Pale Lavender	
		151	LEE 703 Cold Lavender	
		152	LEE 704 Lily	
		153	LEE 706 King Fals Lavender	
		154	LEE 708 Cool Lavender	
		155	LEE 709 Electric Lilac	
		156	LEE 710 Spir Special Blue	
		157	LEE 711 Cold Blue	
		158	LEE 712 Bedford Blue	
		159	LEE 714 Elysian Blue	
		160	LEE 715 Cabana Blue	
		161	LEE 716 Mikkel Blue	
		162	LEE 719 Colour Wash Blue	
		163	LEE 721 Berry Blue	
		164	LEE 722 Bray Blue	
		165	LEE 723 Virgin Blue	
		166	LEE 724 Ocean Blue	
		167	LEE 725 Old Steel Blue	
		168	LEE 727 QFD Blue	
		169	LEE 728 Steel Green	
		170	LEE 729 Scuba Blue	
		171	LEE 736 Twickenham Green	

Channel	Function	Value	Function	Remark
11		172	LEE 738 JAS Green	
		173	LEE 742 Bram Brown	
		174	LEE 744 Dirty White	
		175	LEE 747 Easy White	
		176	LEE 748 Seedy Pink	
		177	LEE 763 Wheat	
		178	LEE 764 Sun Colour Straw	
		179	LEE 765 LEE Yellow	
		180	LEE 767 Oklahoma Yellow	
		181	LEE 768 Egg Yolk Yellow	
		182	LEE 770 Burnt Yellow	
		183	LEE 777 Rust	
		184	LEE 778 Millennium Gold	
		185	LEE 779 Bastard Pink	
		186	LEE 780 AS Golden Amber	
		187	LEE 781 Terry Red	
		188	LEE 790 Moroccan Pink	
		189	LEE 793 Vanity Fair	
		190	LEE 794 Pretty 'n Pink	
		191	LEE 795 Magical Magenta	
	192	LEE 799 Special KH Lavender		
	193-255		Color Effect	
12		0-225	CCT	
13		0-142	Static Effect	
14		0-225	Move Effect	
15		0-225	Non static LED Effect Speed	
16		0-225	LED Effect Delay	
17		0-225	Background Color	
18		0-225	Background Dimmer	
19		0-225	Red-1	
20		0-225	Green-1	
21		0-225	Blue-1	
22		0-225	White-1	
23		0-225	Red-2	
24		0-225	Green-2	
25		0-225	Blue-2	
26		0-225	White-2	
27		0-225	Red-3	
28		0-225	Green-3	
29		0-225	Blue-3	
30		0-225	White-3	
31		0-225	Red-4	
32		0-225	Green-4	
33		0-225	Blue-4	
34		0-225	White-4	
35		0-225	Red-5	
36		0-225	Green-5	
37		0-225	Blue-5	
38		0-225	White-5	
39		0-225	Red-6	
40		0-225	Green-6	
41		0-225	Blue-6	
42		0-225	White-6	
43		0-225	Red-7	
44		0-225	Green-7	
45		0-225	Blue-7	
46		0-225	White-7	
47		0-225	Red-8	
48		0-225	Green-8	
49		0-225	Blue-8	
50		0-225	White-8	
51		0-225	Red-9	
52		0-225	Green-9	
53		0-225	Blue-9	
54		0-225	White-9	
55		0-225	Red-10	
56		0-225	Green-10	
57		0-225	Blue-10	
58		0-225	White-10	
59		0-225	Red-11	
60		0-225	Green-11	
61		0-225	Blue-11	
62		0-225	White-11	

Channel	Function	Value	Function	Remark
63		0-225	Red-12	
64		0-225	Green-12	
65		0-225	Blue-12	
66		0-225	White-12	
67		0-225	Red-13	
68		0-225	Green-13	
69		0-225	Blue-13	
70		0-225	White-13	
71		0-225	Red-14	
72		0-225	Green-14	
73		0-225	Blue-14	
74		0-225	White-14	
75		0-225	Red-15	
76		0-225	Green-15	
77		0-225	Blue-15	
78		0-225	White-15	
79		0-225	Red-16	
80		0-225	Green-16	
81		0-225	Blue-16	
82		0-225	White-16	
83		0-225	Red-17	
84		0-225	Green-17	
85		0-225	Blue-17	
86		0-225	White-18	
87		0-225	Red-18	
88		0-225	Green-18	
89		0-225	Blue-18	
90		0-225	White-18	
91		0-225	Red-19	
92		0-225	Green-19	
93		0-225	Blue-19	
94		0-225	White-19	
95		0-225	LED ring Dimmer	
96		0-225	LED ring RED	
97		0-225	LED ring GREEN	
98		0-225	LED ring BLUE	
			LED ring Effect Macro	
99		0-9	Shutter closed	
		10-19	Shutter open	
		20-39	Strobe, slow to fast	
		40-255	Effect Macro	
100		0-225	LED ring Effect Speed	

DMX PROTOCOL 41CH

Channel	Function	Value	Function	Remark
1		0-225	Red	
2		0-225	Red Fine	
3		0-225	Green	
4		0-225	Green Fine	
5		0-225	Blue	
6		0-225	Blue Fine	
7		0-225	White	
8		0-225	White fine	
9		0-225	Linear CTO	
			Macro	
		0-4	No Function	
		5	LEE 002 Rose Pink	
		6	LEE 004 Medium Bastard Amber	
		7	LEE 007 Pale Yellow	
		8	LEE 008 Dark Salmon	
		9	LEE 009 Pale Amber Gold	
		10	LEE 010 Medium Yellow	
		11	LEE 013 Straw Tint	
		12	LEE 015 Deep Straw	
		13	LEE 017 Surprise Peach	
		14	LEE 020 Medium Amber	
		15	LEE 022 Dark Amber	
		16	LEE 025 Sunset Red	
		17	LEE 026 Bright Red	
		18	LEE 036 Medium Pink	
		19	LEE 048 Rose Purple	
		20	LEE 058 Lavender	
		21	LEE 063 Pale Blue	
		22	LEE 068 Sky Blue	
		23	LEE 071 Tokyo Blue	
		24	LEE 075 Evening Blue	
		25	LEE 088 Lime Green	
		26	LEE 089 Moss Green	
		27	LEE 090 Dark Yellow Green	
		28	LEE 101 Yellow	
		29	LEE 103 Straw	
		30	LEE 104 Deep Amber	
		31	LEE 105 Orange	
		32	LEE 106 Primary Red	
		33	LEE 107 Light Rose	
		34	LEE 108 English Rose	
10		35	LEE 109 Light Salmon	
		36	LEE 110 Middle Rose	
		37	LEE 111 Dark Pink	
		38	LEE 113 Magenta	
		39	LEE 115 Peacock Blue	
		40	LEE 117 Steel Blue	
		41	LEE 118 Light Blue	
		42	LEE 119 Dark Blue	
		43	LEE 121 LEE Green	
		44	LEE 122 Fern Green	
		45	LEE 124 Dark Green	
		46	LEE 126 Mauve	
		47	LEE 127 Smokey Pink	
		48	LEE 128 Bright Pink	
		49	LEE 131 Marine Blue	
		50	LEE 132 Medium Blue	
		51	LEE 134 Golden Amber	
		52	LEE 135 Deep Golden Amber	
		53	LEE 137 Special Lavender	
		54	LEE 138 Pale Green	
		55	LEE 139 Primary Green	
		56	LEE 140 Summer Blue	
		57	LEE 141 Bright Blue	
		58	LEE 142 Pale Violet	
		59	LEE 143 Pale Navy Blue	
		60	LEE 144 No Colour Blue	
		61	LEE 147 Apricot	
		62	LEE 148 Bright Rose	
		63	LEE 151 Gold Tint	

Channel	Function	Value	Function	Remark
		64	LEE 152 Pale Gold	
		65	LEE 153 Pale Salmon	
		66	LEE 154 Pale Rose	
		67	LEE 156 Chocolate	
		68	LEE 157 Pink	
		69	LEE 158 Deep Orange	
		70	LEE 161 Slate Blue	
		71	LEE 162 Bastard Amber	
		72	LEE 164 Flame Red	
		73	LEE 165 Daylight Blue	
		74	LEE 170 Deep Lavender	
		75	LEE 172 Lagoon Blue	
		76	LEE 174 Dark Steel Blue	
		77	LEE 176 Loving Amber	
		78	LEE 179 Chrome Orange	
		79	LEE 180 Dark Lavender	
		80	LEE 181 Congo Blue	
		81	LEE 183 Moonlight Blue	
		82	LEE 192 Flesh Pink	
		83	LEE 194 Surprise Pink	
		84	LEE 195 Zenith Blue	
		85	LEE 196 True Blue	
		86	LEE 197 Alice Blue	
		87	LEE 198 Palace Blue	
		88	LEE 199 Regal Blue	
		89	LEE 200 Double CTB	
		90	LEE 201 Full CTB	
		91	LEE 202 Half CTB	
		92	LEE 203 Quarter CTB	
		93	LEE 204 Full CTO	
		94	LEE 205 Half CTO	
		95	LEE 206 Quarter CTO	
		96	LEE 207 Full CTO + .3 ND	
		97	LEE 208 Full CTO + .6 ND	
		98	LEE 212 LCT Yellow (Y1)	
		99	LEE 213 White Flame Green	
10		100	LEE 219 LEE Fluorescent Green	
		101	LEE 230 Super Correction LCT Yellow	
		102	LEE 232 Super Correction W.F. Green	
		103	LEE 236 HMI (to Tungsten)	
		104	LEE 237 CID (to Tungsten)	
		105	LEE 238 CSI (to Tungsten)	
		106	LEE 241 LEE Fluorescent 5700 Kelvin	
		107	LEE 242 LEE Fluorescent 4300 Kelvin	
		108	LEE 243 LEE Fluorescent 3600 Kelvin	
		109	LEE 244 LEE Plus Green	
		110	LEE 245 Half Plus Green	
		111	LEE 247 LEE Minus Green	
		112	LEE 248 Half Minus Green	
		113	LEE 249 Quarter Minus Green	
		114	LEE 281 Three Quarter CTB	
		115	LEE 283 One and a Half CTB	
		116	LEE 285 Three Quarter CTO	
		117	LEE 286 One and a Half CTO	
		118	LEE 287 Double CTO	
		119	LEE 322 Soft Green	
		120	LEE 323 Jade	
		121	LEE 327 Forest Green	
		122	LEE 328 Follies Pink	
		123	LEE 332 Special Rose Pink	
		124	LEE 343 Special Medium Lavender	
		125	LEE 345 Fuchsia Pink	
		126	LEE 352 Glacier Blue	
		127	LEE 353 Lighter Blue	
		128	LEE 354 Special Steel Blue	
		129	LEE 363 Special Medium Blue	
		130	LEE 366 Cornflower	
		131	LEE 441 Full CT Straw	
		132	LEE 442 Half CT Straw	
		133	LEE 444 Eighth CT Straw	
		134	LEE 500 Double New Colour Blue	
		135	LEE 501 New Colour Blue (Robertson Blue)	
		136	LEE 502 Half New Colour Blue	

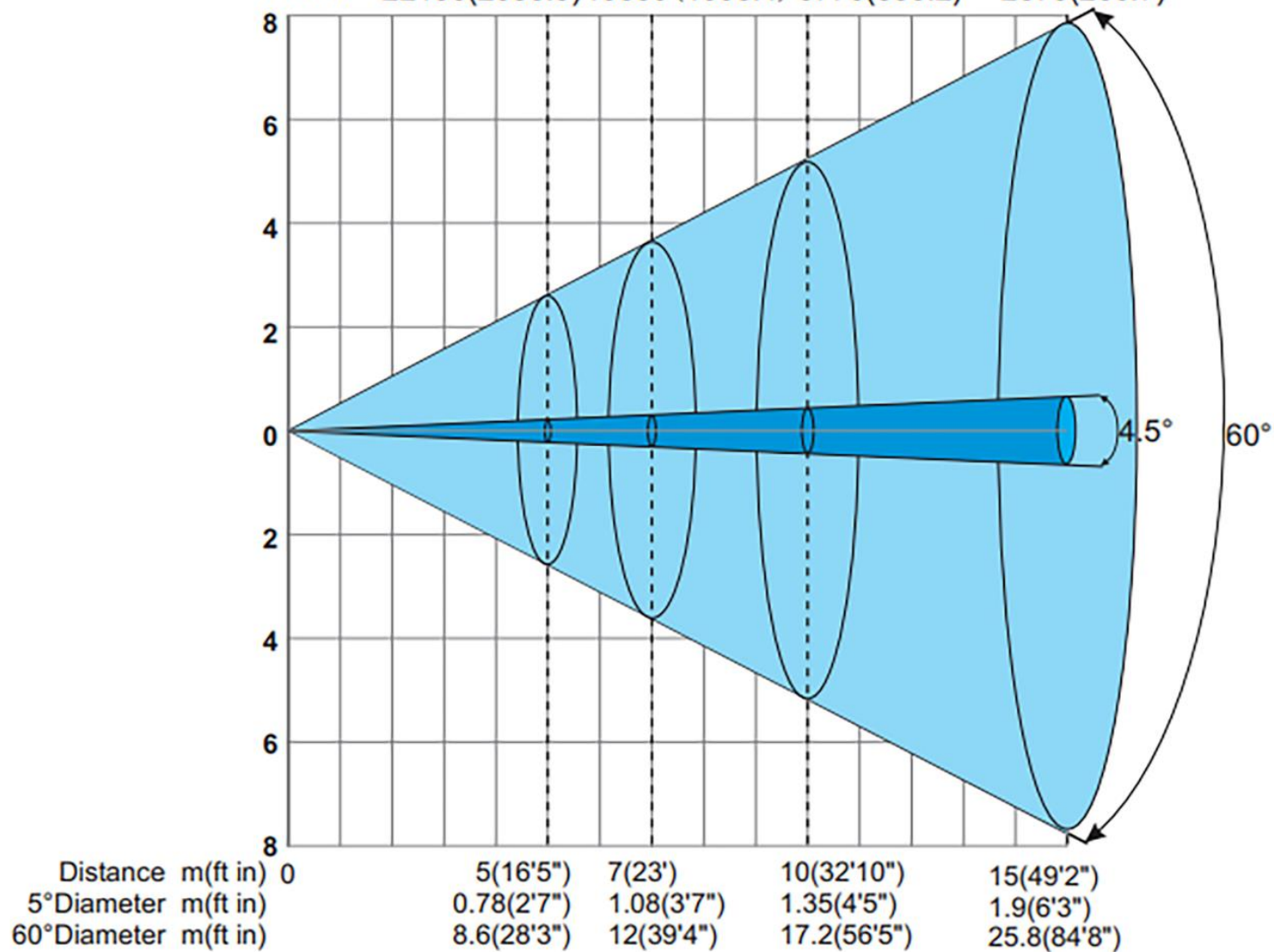
Channel	Function	Value	Function	Remark	
10		137	LEE 504 Waterfront Green		
		138	LEE 505 Sally Green		
		139	LEE 506 Marlene		
		140	LEE 507 Madge		
		141	LEE 508 Midnight Maya		
		142	LEE 525 Argent Blue		
		143	LEE 550 ALD Gold		
		144	LEE 604 Full CT Eight Five		
		145	LEE 650 Industry Sodium		
		146	LEE 651 HI Sodium		
		147	LEE 652 Urban Sodium		
		148	LEE 700 Perfect Lavender		
		149	LEE 701 Provence		
		150	LEE 702 Special Pale Lavender		
		151	LEE 703 Cold Lavender		
		152	LEE 704 Lily		
		153	LEE 706 King Fals Lavender		
		154	LEE 708 Cool Lavender		
		155	LEE 709 Electric Lilac		
		156	LEE 710 Spir Special Blue		
		157	LEE 711 Cold Blue		
		158	LEE 712 Bedford Blue		
		159	LEE 714 Elysian Blue		
		160	LEE 715 Cabana Blue		
		161	LEE 716 Mikkel Blue		
		162	LEE 719 Colour Wash Blue		
		163	LEE 721 Berry Blue		
		164	LEE 722 Bray Blue		
		165	LEE 723 Virgin Blue		
		166	LEE 724 Ocean Blue		
		167	LEE 725 Old Steel Blue		
		168	LEE 727 QFD Blue		
		169	LEE 728 Steel Green		
		170	LEE 729 Scuba Blue		
		171	LEE 736 Twickenham Green		
		172	LEE 738 JAS Green		
		173	LEE 742 Bram Brown		
		174	LEE 744 Dirty White		
		175	LEE 747 Easy White		
		176	LEE 748 Seedy Pink		
		177	LEE 763 Wheat		
		178	LEE 764 Sun Colour Straw		
		179	LEE 765 LEE Yellow		
		180	LEE 767 Oklahoma Yellow		
		181	LEE 768 Egg Yolk Yellow		
		182	LEE 770 Burnt Yellow		
		183	LEE 777 Rust		
		184	LEE 778 Millennium Gold		
		185	LEE 779 Bastard Pink		
		186	LEE 780 AS Golden Amber		
		187	LEE 781 Terry Red		
		188	LEE 790 Moroccan Pink		
		189	LEE 793 Vanity Fair		
		190	LEE 794 Pretty 'n Pink		
		191	LEE 795 Magical Magenta		
		192	LEE 799 Special KH Lavender		
			193-255	Color Effect	
	11		0-225	Strobe	
	12		0-142	Dimmer	
	13		0-225	Dimmer Fine	
	14		0-225	Pan	
	15		0-225	Pan Fine	
	16		0-225	Tilt	
	17		0-225	Tilt Fine	
	18		0-10	No Function	
			11-15	DMX input	
			16-20	Wireless/Artnet input	
			21-25	W-DMX/Artnet reset	
			26-30	Zoom Reset	
			31-40	P/T Reset	
			41-50	Fixture Reset	
			51-55	LED NORMAL FAN	
		56-60	LED MAXIMAL FAN		

Channel	Function	Value	Function	Remark
18		61-65	LED MINIMAL FAN	
		66-70	LED SILENT FAN	
		71-75	RGBW colour mixing mode	
		76-80	CMY colour mixing mode	
		81-85	DISPLAY ON	
		86-90	DISPLAY OFF	
		91-95	CALIBRATION FACTORY	
		96-102	CALIBRATION MANUAL	
		103-105	Enable pixel map	
		106-110	Disable pixel map	
		111-115	1800HZ	
		116-120	3600HZ	
		121-125	7200HZ	
		126-130	25000HZ	
		131-135	Beam mode on	
	136-140	Beam mode off		
	141-255	No Function		
19		0-225	Reset	
20		0-225	Zoom	
21			Zoom Rotation	
		0-100	LENS ANGLE 0-60°	
		101-127	Shaking lens from slow to fast	ONLY WORKS WHEN CHANNEL 6
		128-190	CW Rotation speed, fast to slow	ZOOM<44
		191-192	Stop Rotation	
	193-225	CCW Rotation speed, slow to fast		
22		0-225	Shape Selection	
23		0-225	Shape Speed	
24		0-225	Shape Fade	
25		0-225	Shape R	
26		0-225	Shape G	
27		0-225	Shape B	
28		0-225	Shape W	
29		0-225	Shape Dimmer	
30		0-225	Background Dimmer	
31		0-225	Shape Transition	
32		0-225	Shape Offset	
33		0-225	Foreground Strobe	
34		0-225	Background Strobe	
35		0-225	Background Select	
36		0-225	LED ring Dimmer	
37		0-225	LED ring RED	
38		0-225	LED ring GREEN	
39		0-225	LED ring BLUE	
40			LED ring Effect Macro	
		0-9	Shutter closed	
		10-19	Shutter open	
		20-39	Strobe, slow to fast	
	40-255	Effect Macro		
41		0-225	LED ring Effect Speed	

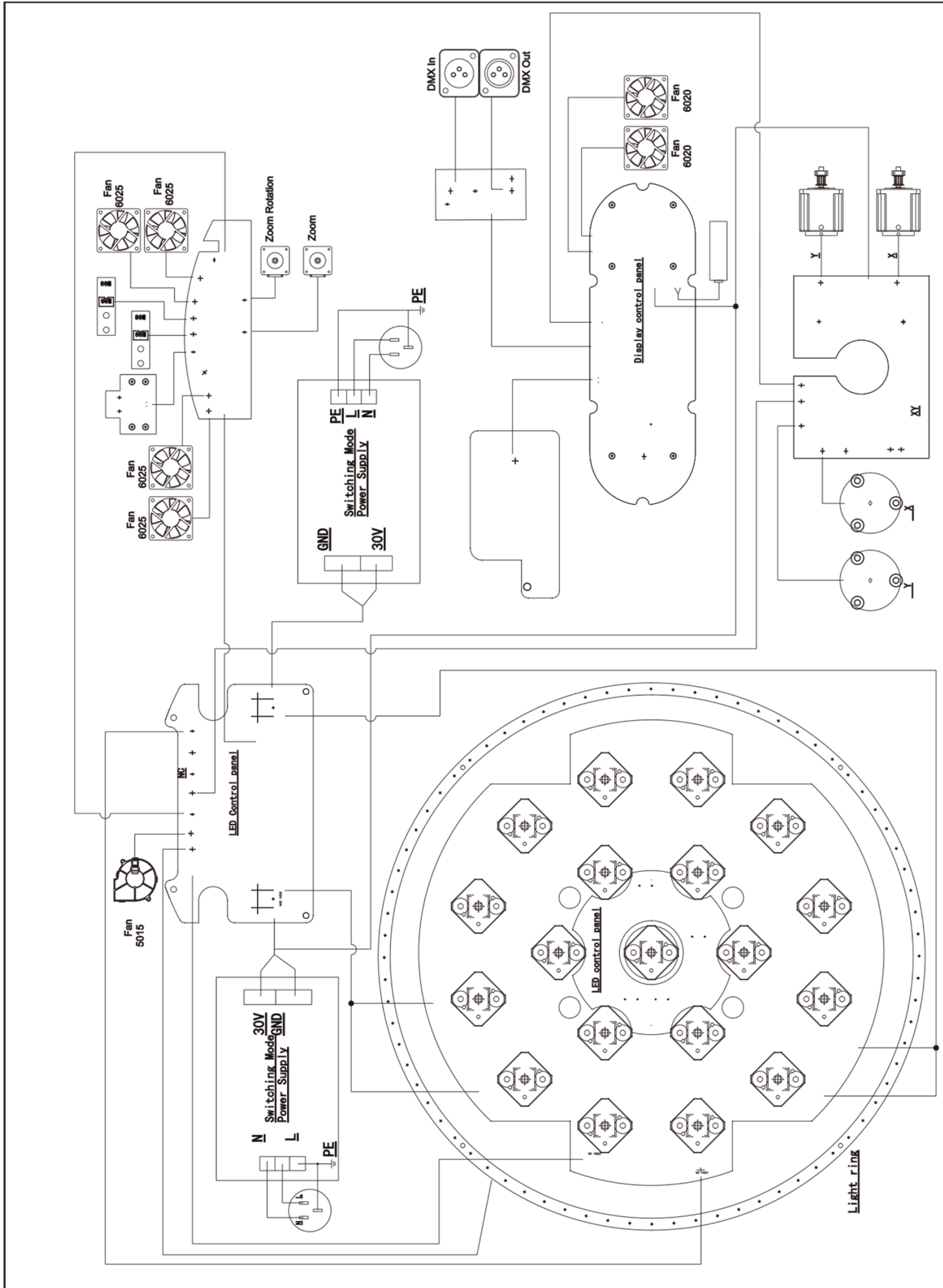
PHOTOMETRICS

Distance, spot diameter and illumination diagram

60° Lux(fc)	R	215(20)	98(9.1)	68(6.3)	25(2.3)
	G	410(38.1)	210(19.5)	123(11.4)	57(5.3)
	B	19(1.8)	10(0.9)	6(0.6)	4(0.4)
	W	587(54.6)	308(28.6)	189(17.6)	29(2.7)
	RGBW	1054(98)	582(54.1)	371(34.5)	125(11.6)
4.5° Lux(fc)	R	4096(380.7)	2152(200)	963(89.5)	536(49.8)
	G	8311(772.4)	4225(392.7)	2047(190.2)	971(90.2)
	B	392(36.4)	195(18.1)	94(8.7)	51(4.7)
	W	11590(1077.1)	6368(591.8)	3110(289)	1536(142.8)
	RGBW	22100(2053.9)	10850(1008.4)	5770(536.2)	2870(266.7)



CIRCUIT CONNECTION DIAGRAM

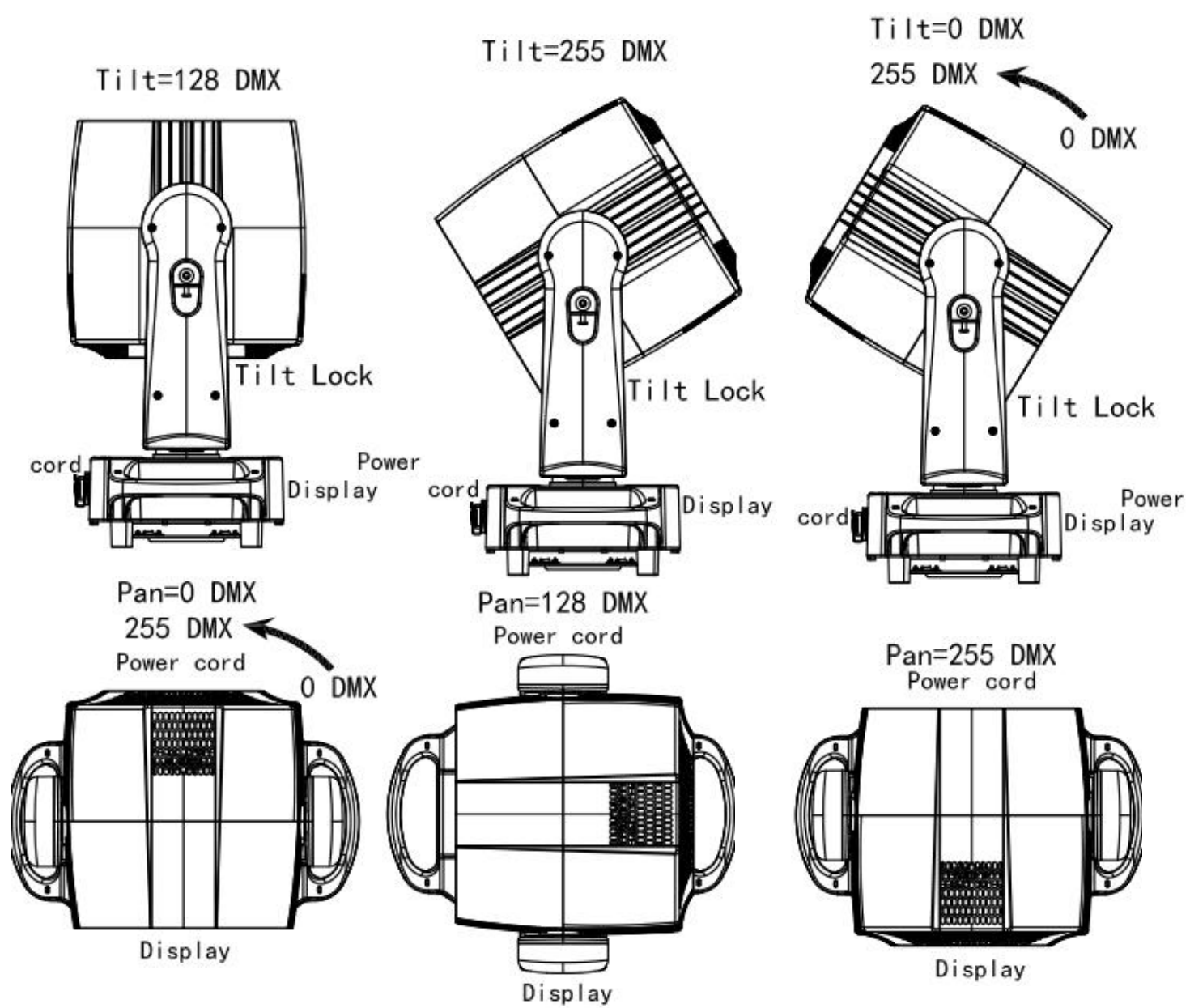


SPECIFICATIONS

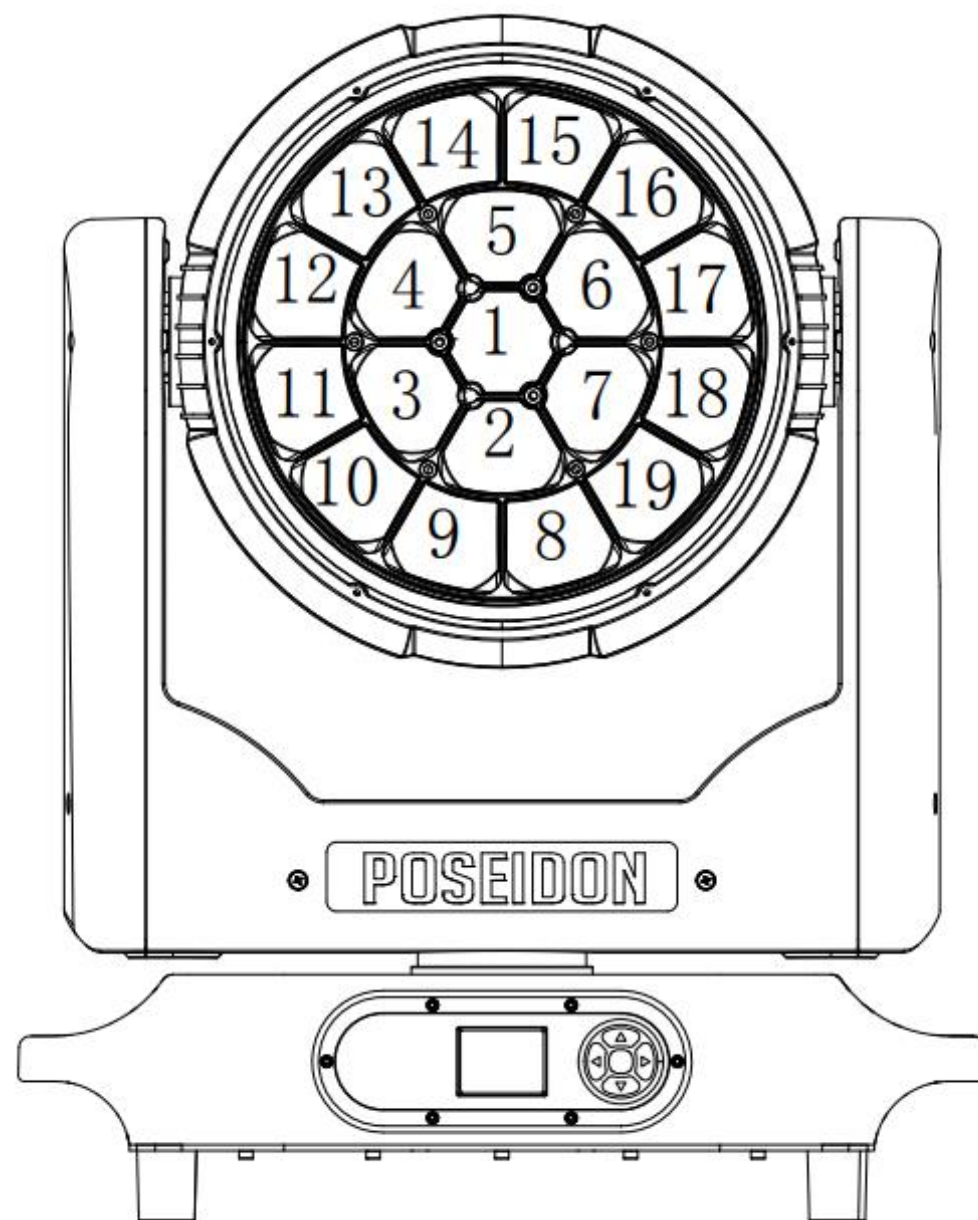
Power	
Input voltage	100-240VAC, 50/60HZ
Standby power	26W
Total power consumption	800W, PF 0.985
Typical current	3,33A
Cos ϕ	-
Power plug type	Seetronic powercon TRUE 1
Source	
LED color	RGBW
LED color temperature	2500 ~ 10.000K
Quantity of LED	19 PCS
Dimming frequency	600-10.000HZ
Optical	
Beam angle	4.5° ~ 60°
Lens	360° Infinite rotation
Photometric	
Output @5M	40039 LUX
Effects	
Color mixing	RGBW
LED	RGBW, Individually controllable
Ring	RGB, Individual controllable
Effects	Intelligent macro engine
Zoom	4.5° - 60°
Dimmer	0-100% Linear, 16 Bit
Shutter	Variable 0-100%, Random & Pulse
Pan	540°, 16 Bit (2.11° / 2.5S)
Tilt	218°, 16 Bit (0.85° / 1.2S)
Heat management	
Cooling type	Temperature controlled fans
Max. Ambient temp.	Ta max= 45°C
Min. Ambient temp.	Ta min=-20°C
Control	
Control Protocol	USITT DMX512/1990
DMX Channels	28/41/47/100 CH
RDM	Yes
WDMX	Yes
DMX Input connection	5-pin
Data Input	Optional (Replaces WDMX)
Hardware	
Interface	LCD Display
Software upload	DMX, via special box
Installation	
IP rating	IP65
Orientation	Any

Housing	
Safety attachment point	Bottom
Lock	Tilt lock
Physical	
Net product weight	27,5Kg
Length	488MM
Width	331MM
Height	609MM
Accessories	
Included items	Manual, Power cable, Safety
Optional accessories	Omega bracket
Approvals	
Approved certifications	CE and RoHs
Information	
Article number	160035
EAN code	8719189163247

POSITIONING



LAYOUT





CF POSEIDON WASH XL