

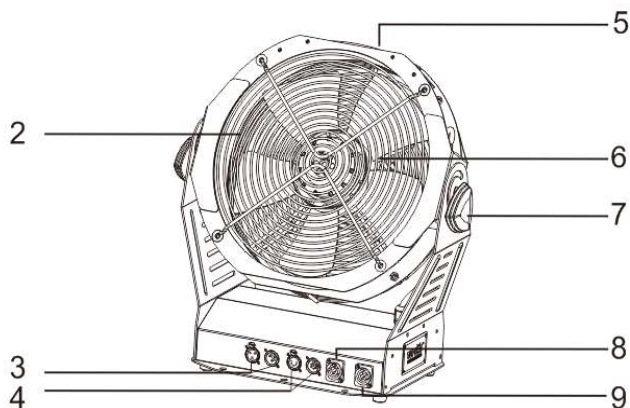
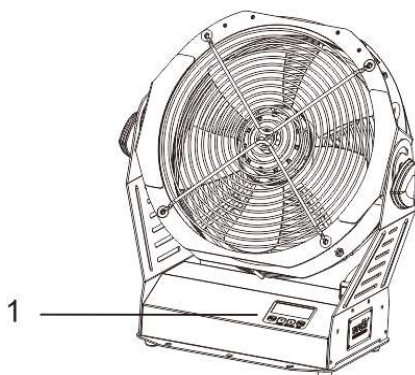


TABLE OF CONTENTS

Machine overview	3
Safety instruction	4
AC power	6
Data link	6
Physical installation	7
Operating instructions	7
Menu navigation	8
DMX channels	8
Exploded view	9
Specifications	10

MACHINE OVERVIEW

1. LCD display
2. Fan grill
3. 3-pin DMX socket
4. 5-pin DMX socket
5. Grip
6. Fan protector
7. Adjusting knob
8. PowerCon input
9. PowerCon output



SAFETY INSTRUCTION



WARNING!

Read the safety precautions in this section before installing, powering, operating or servicing this product

The following symbols are used to identify important safety information on the product and in this manual:



DANGER!
Safety hazard.
Risk of severe injury or death.



DANGER!
Hazardous voltage. Risk of lethal or severe electric shock.



WARNING!
Fire hazard.



WARNING!
LED light emission. Risk of eye injury.



WARNING!
Burn hazard. Hot surface. Do not touch.



WARNING!
Wear protective eyewear.



WARNING!
Refer to user manual.



USING FOR THE FIRST TIME

This product is for professional use only. It is not for household use.

This product presents risks of severe injury or death due to fire and burn hazards, electric shock and falls.

Read this manual before installing, powering or servicing the fixture, follow the safety precautions listed below and observe all warnings in this manual and printed on the fixture. If you have questions about how to operate the fixture safely, please contact your supplier.



PROTECTION FROM ELECTRIC SHOCK



- Disconnect the machine from AC power before removing or installing any cover or part and when not in use
- Always ground (earth) the fixture electrically.
- Use only a source of AC power that complies with local building and electrical codes and has both overload and ground-fault (earth-fault) protection.
- Before using the machine check that all power distribution equipment and cables are in perfect condition and rated for the current requirements of all connected devices.
- Power input and throughput cables must be rated 20 A minimum, have three conductors 1.5 mm² (16 AWG) minimum conductor size and an outer cable diameter of 5 - 15 mm . Cables must be hard usage type (SJT or equivalent) and heat-resistant to 90° C minimum.
- Use only PowerCON® cable connectors to connect to power input sockets. Use only PowerCON® cable connectors to connect to power through put sockets.
- Isolate the machine from power immediately if the power plug or any seal, cover, cable, or other component is damaged, defective, deformed, wet or showing signs of overheating. Do not reapply power until repairs have been completed.



DO NOT EXPOSE THE FIXTURE TO RAIN OR MOISTURE

CLF Turbine has an IP20 rating, indoor use only.

SAFETY INSTRUCTION



PROTECTION FROM BURNS AND FIRE



- Do not operate the machine if the ambient temperature (T_a) exceeds 45°C .
- The exterior of the machine becomes hot during use. Avoid contact by persons and materials. Allow the machine to cool for at least 10 minutes before handling.
- Keep all combustible materials (e.g. fabric, wood, paper) at least 100 mm away from the nozzle
- Keep flammable materials well away from the machine
- Ensure that there is free and unobstructed airflow around the machine
- Do not place objects within 200 mm of the machine
- Do not attempt to bypass thermostatic switches or fuses.
- If you relay power from one machine to another using power throughput sockets, do not connect more than 1 machines in total to each other in an interconnected chain.
- Connect only other machines to fixture power throughput sockets. Do not connect any other type of device to these sockets.
- Do not connect any other type of device to these sockets.
- Do not stick filters, masks or other materials onto any optical component.
- Do not modify the machine in any way not described in this manual
- Do not connect machine to a dimmer



PROTECTION FROM INJURY



- Fasten the fixture securely to a fixed surface or structure when in use. The fixture is not portable when installed.
- Ensure that any supporting structure and/or hardware used can hold at least 10 times the weight of all the devices they support.
- Allow enough clearance around the head to ensure that it cannot collide with an object or another fixture when it moves.
- Check that all external covers and rigging hardware are securely fastened.
- Block access below the work area and work from a stable platform whenever installing, servicing or moving the machine.
- Do not operate the machine with missing or damaged covers, shields or any optical component



AC POWER



POWER VOLTAGE

Check that the voltage range specified on the machine serial number label matches the local AC mains power voltage before applying power to the fixture. The machine accepts AC mains power at 100-240 V nominal, 50/60 Hz. Do not apply AC mains power to the machine at any other voltage than specified.



POWER CABLES

Power input and throughput cables must be rated 20 A minimum, have three conductors 1.5 mm² (16 AWG) minimum conductor size and an outer cable diameter of 5 - 15 mm. Cables must be hard usage type (SJT or equivalent) and heat-resistant to 90°C minimum. In the EU the cable must be HAR approved or equivalent. If you install a power plug on the power cable, install a grounding-type (earthed) plug that is rated 20 A minimum. Follow the plug manufacturer's instructions. Table 1 shows standard wire color-coding schemes and some possible pin identification schemes; if pins are not clearly identified, or if you have any doubts



Wire color (EU models)	Wire color (US models)	Conductor	Symbol	Screw (US)
Brown	Black	Live	L	Yellow or Brass
Blue	White	Neutral	N	Silver
Yellow / green	Green	Ground (earth)	 or 	Green

Table 1: Wire color-coding and power connections

DATA LINK

A DMX 512 data link is required in order to control a machine via DMX. The machine has 3 & 5-pin XLR connectors for DMX data input and output. The pin-out on all connectors is pin 1 = shield, pin 2 = cold (-), and pin 3 = hot (+) Pins 4 and 5 in the 5-pin XLR connectors are not used.

TIPS FOR RELIABLE DATA TRANSMISSION

To connect the machine to data:

1. Connect the DMX data output from the controller to the closest machine's male 3 & 5-pin XLR DMX input connector.
2. Connect the DMX output of the machine closest to the controller to the DMX input of the next machine and continue connecting machines output to input.

PHYSICAL INSTALLATION



Warning! The machine must be either fastened to a flat surface such as a stage or wall, or clamped to a truss or similar structure in any orientation using a rigging clamp.

Warning! At all times machine can cause injury or damage if it falls, attach an approved safety cable to one of the safety cable attachment points on the base (see “machine overview” on page 4).



Check that all surfaces more far away then a minimum of 200 mm. from the machine, that combustible materials (wood, fabric, paper, etc.) are minimum 100 mm. from the nozzle, that there is free airflow around the machine and that there are no flammable materials nearby.

FASTENING THE MACHINE TO A FLAT SURFACE

The machine can be fastened to a fixed flat surface that is oriented at any angle. Check that the surface can support at least 10 times the weight of all machines and equipment to be installed on it. Warning! The supporting surface must be flat otherwise the air vents in the base may be blocked, which will cause overheating. Fasten the machine securely. Do not place it on a surface or leave it where it can be moved or can fall over. Attach a securely anchored safety cable to the safety cable attachment point (see “machine overview” on page.

If the machine is installed in any location where it may fall and cause injury or damage if the primary attachment fails:

1. Block access under the work area. Working from a stable platform.
2. Secure the machine with a secondary attachment such as an approved safety cable that is rated for the weight of the machine using one of the attachment points at the edges of the base (see “machine overview” on page 4). Do not use any other part of the machine as a safety cable attachment point.

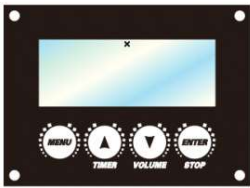
OPERATING INSTRUCTIONS

1. After checking that all the parts are intact and complete, position the machine on a flat surface.
2. Connecting the power cord. Before power on, make sure it is connected with the rated voltage.

MENU INSTRUCTION

1. MENU button: Press “menu” button to enter the page “ADDR”
2. UP button: Increase the relevant value of each page
3. DOWN button: Decrease the relevant value of each pag
4. ENTER button: Enter or exit each page

MENU NAVIGATION



MENU: Scroll through setting menu;
 UP: Increase, multiplex "TIMER" button;
 DOWN: Decrease, multiplex "VOLUME" button;
 ENTER: In/Out, multiplex "stop" button;

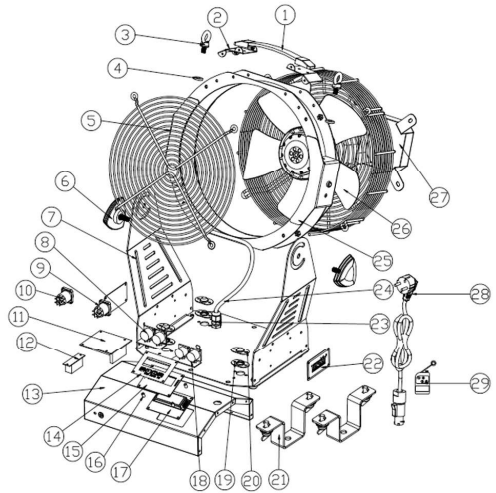
Press "MENU" button to switch different pages, 5 pages in total:

- | | |
|--------------------|---|
| 1. Ready To Work: | The machine is ready to work |
| 2. DMX512 Address: | The DMX address can be set up from 1 to 512 |
| 3. Volume out: | Set the haze fog output from 1 - 100% under Volume mode |
| 4. Wireless Set: | Set the wireless function ON or OFF |
| 5. Language: | Select the language saved by "Enter" |

DMX CHANNELS

Channel	Function	Value	Percentage	Remark
CH 1	FAN output	006 - 255	0 - 100%	000 - 009 = OFF

EXPLODED VIEW



No.	Description	Part number CLF
1	Handle	CLF-70-002
2	Handle fixing plate	CLF-70-003
3	Safety eye	CLF-70-004
4	Plastic ring for safety eye	CLF-70-005
5	Fan cover front	CLF-70-006
6	Knob	CLF-70-007
7	Base (stand)	CLF-70-008
8	5-pin DMX PCB (male/female)	CLF-70-009
9	PowerCON output socket white	CLF-70-010
10	PowerCON input socket blue	CLF-70-011
11	Main PCB / power supply	CLF-70-012
12	Wireless board	CLF-70-013
13	over base	CLF-70-014
14	Display sticker	CLF-70-015
15	LCD support plate	CLF-70-016
16	Plastic display support	CLF-70-017
17	Display PCB	CLF-70-018
18	3-pin DMX PCB (male/female)	CLF-70-019
19	Quick lock pedestal	CLF-70-020
20	Quick lock cover	CLF-70-021
21	Brackets 2pcs each fixture	CLF-70-022
22	Name plate	CLF-70-023
23	Cable gland base	CLF-70-024
24	Power cable base / fan	CLF-70-025
25	Fan housing	CLF-70-026
26	Fan	CLF-70-027
27	Fan motor cover	CLF-70-028
28	Schuko-PowerCON connection cable 3x1,5mm2, 1,8 mtr length	911140
29	Wireless remote	CLF-70-029

SPECIFICATIONS

Power	150W
Voltage / frequency	AC100V - 240V - 50/60Hz
Fuse	2A/250V
Stand-by power consumption	<15W
AC power input	PowerCON
DMX data in/out	5 pin & 3 pin locking XLR
Netto weight	11kg
Size	443x250x470mm
Control	DMX
Channel	1 channel
Output	1350R/min to 1500R/min (Airflow(0Pa m3/hour ±10%): 2200)
Settings and addressing	Control panel with backlit character LCD
Protocol	USITT DMX512-A
Color	Black
Housing	High strenght die-casting aluminium and metal
Protection rating	IP20
Orientation	Floor & hanging
Min. distance to combustable materials	300mm from machine
Min. distance to iluminated surfaces	400mm from machine
Wireless remote	None
Air angle	0° to 270°

TURBINE



CLFLIGHTING

WWW.CLF-LIGHTING.COM