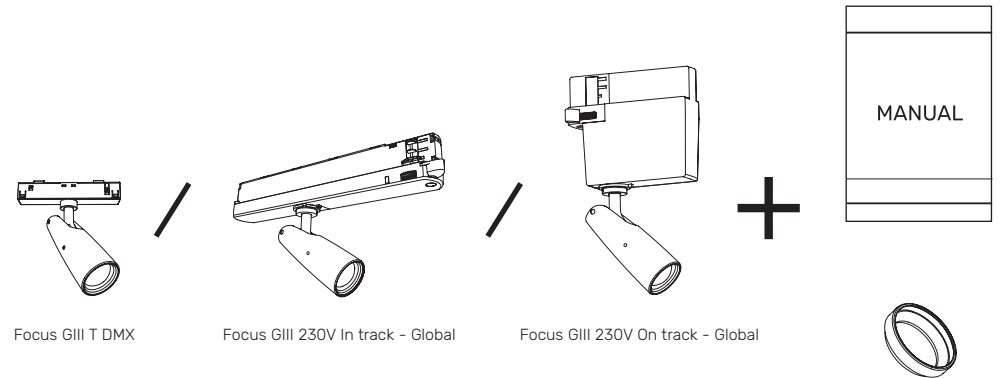


Index	2	Installation Stucchi	4	Extension pipe assembly Stucchi	9
Safety information	2	Programming Stucchi	5	Extension pipe assembly in track	10
Content	2	Magno dimming Stucchi	6	Accessories	11
Technical	3	Installation Global	7	List of symbols	12
Specifications	3	Magno dimming	8		

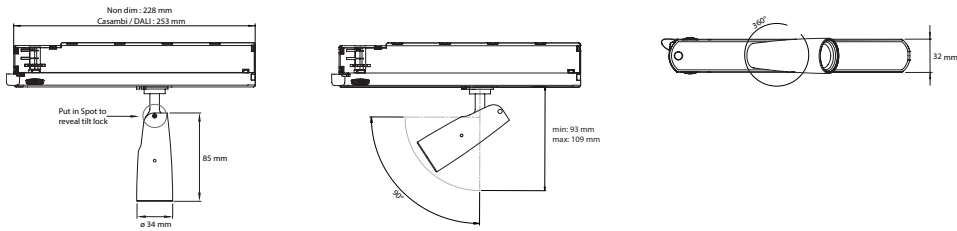
## SAFETY INFORMATION


## CONTENT

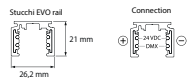
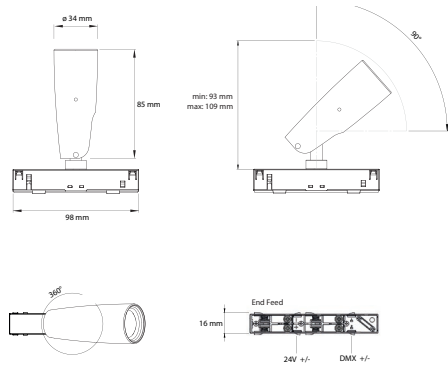


Y106415  
CLS Focus GIII accessory holder

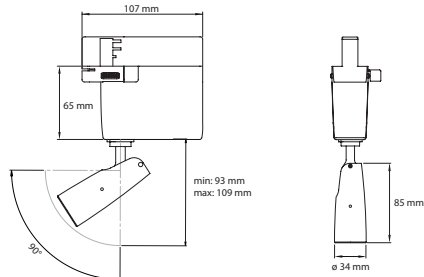

## Focus GIII In Track



## Focus GIII Track Stucchi

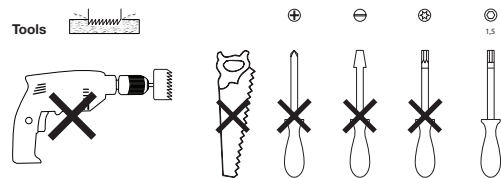


## Focus GIII On Track Magno

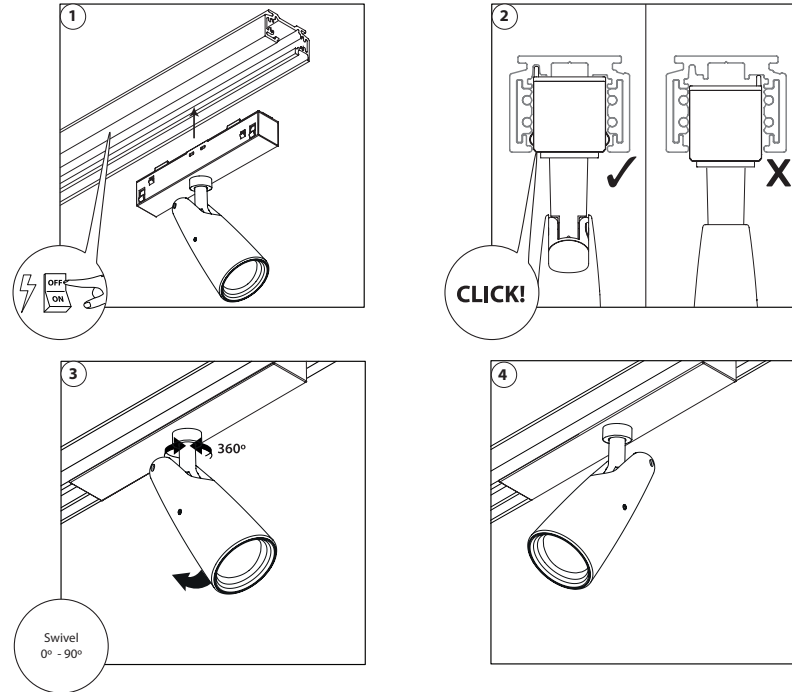


## SPECIFICATIONS

LED: 1 x High Power LED  
 Available colours: CRI=95: 2700K, 3000K, 3500K or 4000K  
 Beam angle: 10° to 70°  
 Power supply: 100 - 234 VAC or 24 VDC  
 Power consumption: Max. 7 Watt  
 Housing: Black or white coated  
 Weight: Various  
 IP value: IP20  
 Ambient temperature: -10° C till +40° C



! Note: When plugging or unplugging the fixtures, there must be no power on the rail !



! Note: on a total of 20 meter rail (consecutive), max. 20 pieces can be placed of the Focus GIII Track !

## PROGRAMMING TABLE

DMX	Function	Data	Parameters	Description
CH1	Set address 001 to 255	0	0 = no change	Use this DMX channel to set address from 001 to 255. The configured DMX address is called "n"
		1...255	DMX address = 1...255	
CH2	Set address 256 to 508	0	no change	Use this DMX channel to set address from 256 to 508. The configured DMX address is called "n"
		1...255	DMX address = 256...508	
CH3	Static behavior	0	no change	If no DMX is present the fixture will respond like set in this function.
		1	last DMX value	
		2	output off	
		3	load static values	
CH4	Dynamic Soft dim	0	no change	Dynamic Soft dim (default) adjusts its dimming curve to the speed at which you move the DMX slider. Dynamic Soft dim (deprecated) will interpolate between the DMX values. This function makes the dim curve smoother
		1	Dynamic Soft dim (default)	
		2	Dynamic Soft dim (deprecated)	
		3	Static Soft dim	
CH5	Static Output	0	no change	Each output channel can be set to a static intensity
		1...255	Intensity 1...255	
CH14	Load default settings	0	no change	This function resets all settings to the Factory setting. Check Factory setting table.
		1	Load Factory settings	

# PROGRAMMING STUCCHI

# MAGNO DIMMING STUCCHI

Works without DMX

## DMX Control

The Focus GIII T DMX is controlled with 1 DMX channel. To get the best dimming resolution the "Dynamic Softdim" can be configured.

### Dynamic Soft Dim (default)\*

No extra channel needed, this function is on by default. Adjusts its dimming curve to the speed at which you move the DMX slider.

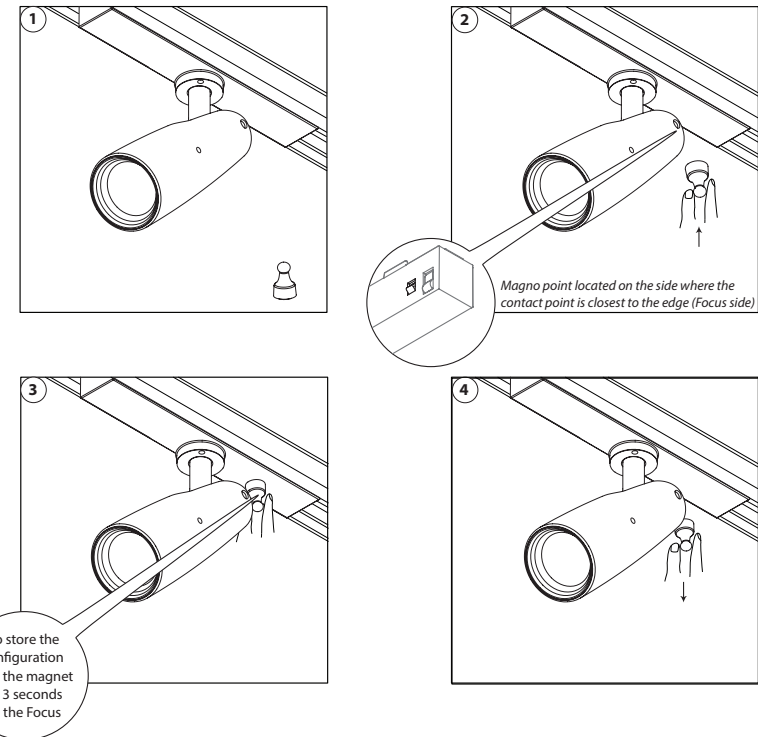
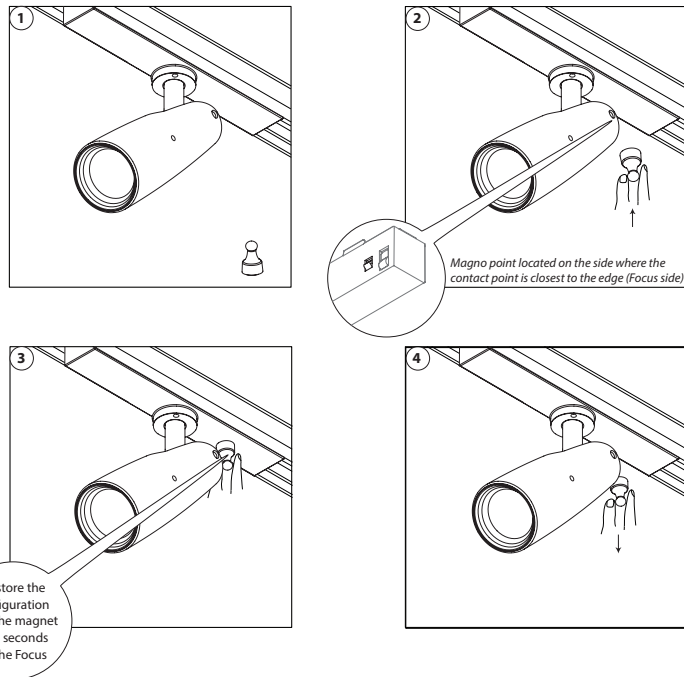
### Dynamic Soft dim (deprecated)

An extra channel added and interpolates between the DMX values. This function makes the dim curve smoother.

### Static Soft dim

An extra channel added and controls the fade speed, where value 0 stand for no extra delay and 1-255 will add extra delay to the fade. Each own value represents the delay in seconds. For example: value 1 = 1 second delay | value 33 = 33 seconds delay | value 255 = 255 seconds delay.

\* This function is available on fixtures that were produced from November 2023, up till now.



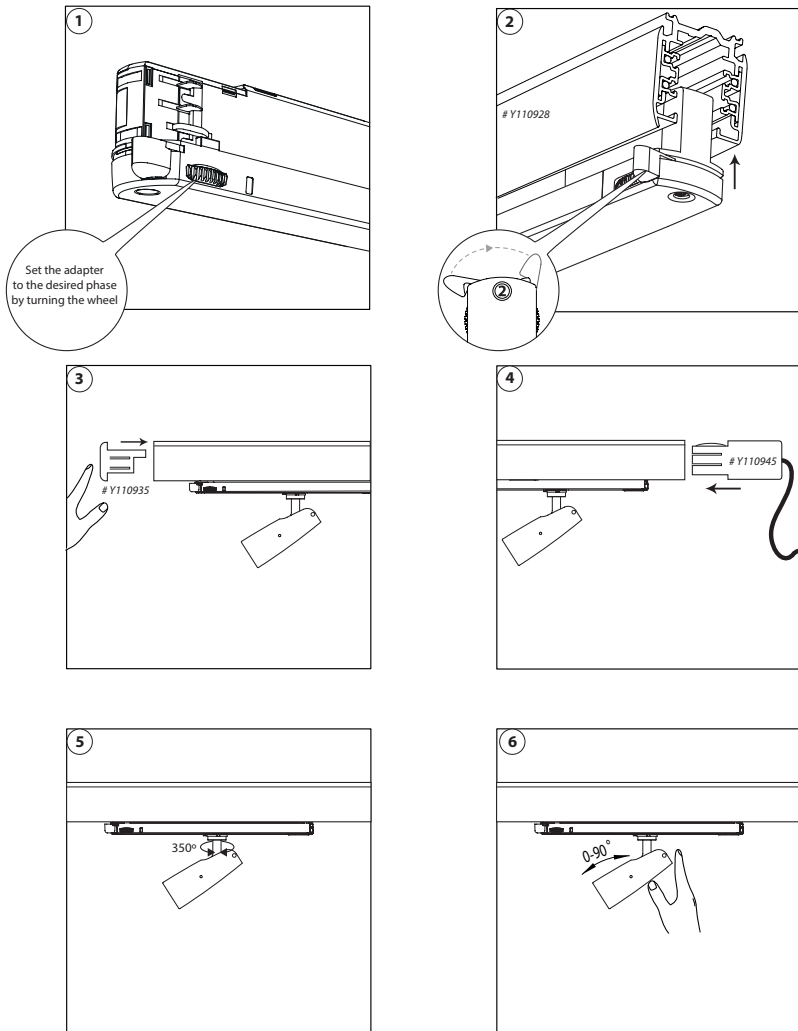
Without DMX the intensity of the Focus GIII can be adjusted with the Magno function. The intensity range is 0.01% - 100%. Simply place the magnet on the correct location and the Focus GIII will start to decrease the intensity. Removing the magnet for a short period will change the dimming direction, this step can be repeated to get the desired intensity.

When the magnet is removed for 5 seconds the intensity is stored in the internal memory. The Focus GIII will turn off for a short period and returns to the configured intensity. From now on when power is applied and no DMX is present the Focus GIII will be set to the configured intensity.

## Configuration

Via DMX the Focus GIII can be configured. After setting the DMX to the desired values just hold the magnet on the Focus adapter. Hold the magnet for approximately 3 seconds (step 3), when holding the magnet on the Focus it will turn on and when programming is finished the Focus will flash again. When the light does not flash after 3 seconds repower and try again.

2024 CLS-LED BV. All rights reserved. Information subject to change without notice. CLS-LED BV and all affiliated companies disclaim liability for injury, damage direct or indirect loss, consequential or economic loss or any other loss occasioned by the use of, inability to use or reliance on the information contained in this manual. No part of this manual may be reproduced, in any form or by any means, without permission in writing from CLS-LED BV. Other legal information can be found in our General conditions, found on the back of your CLS-LED BV invoice, inside the CLS catalogue or on our website [www.cls-led.com/General-Terms.pdf](http://www.cls-led.com/General-Terms.pdf)



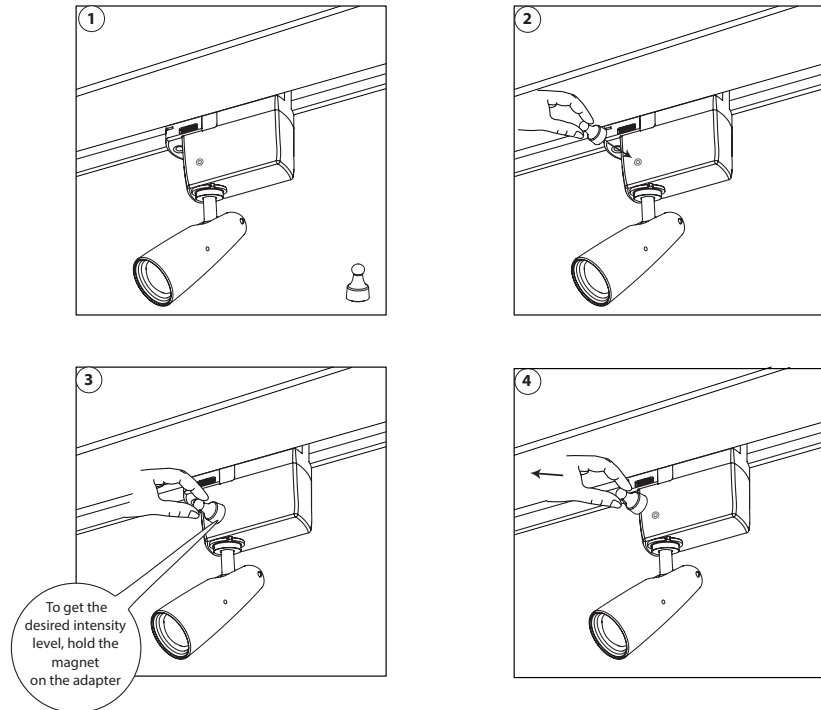
! The In-track Series (non-dim, Casambi & DALI) max. 50 pieces on one B16 fuse box !

## BLUETOOTH BY CASAMBI

For Casambi controlled fixtures, see the manual of Casambi. The Manual can be found on our CLS website, in the Downloads section.

Or use the link below:

[https://www.cls-led.com/wp-content/uploads/cls-products/CLS\\_CASAMBI/MANUAL/Manual\\_Casambi\\_controlsistem\\_EN.pdf](https://www.cls-led.com/wp-content/uploads/cls-products/CLS_CASAMBI/MANUAL/Manual_Casambi_controlsistem_EN.pdf)



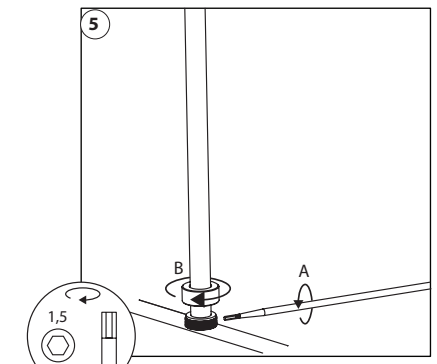
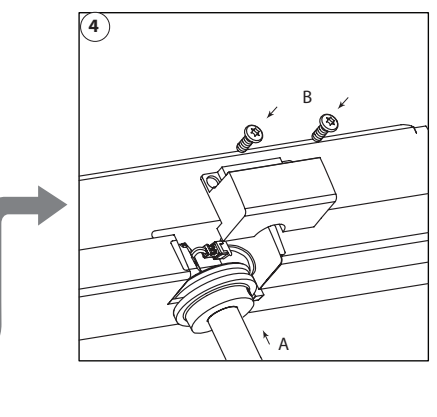
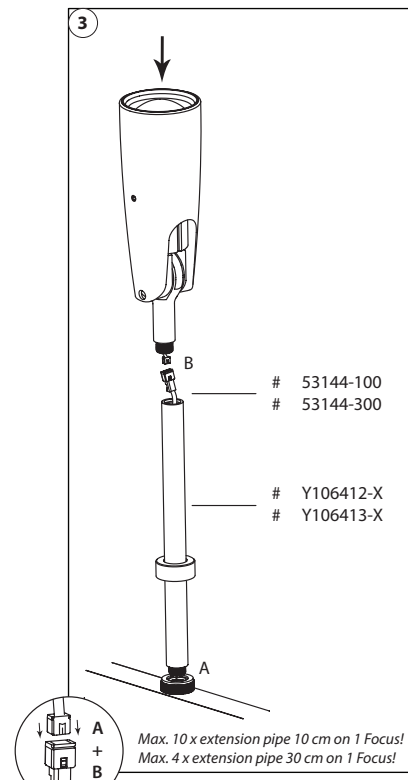
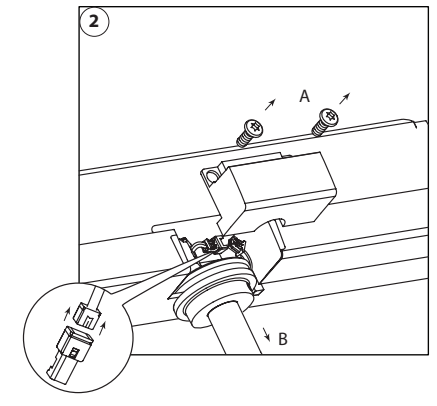
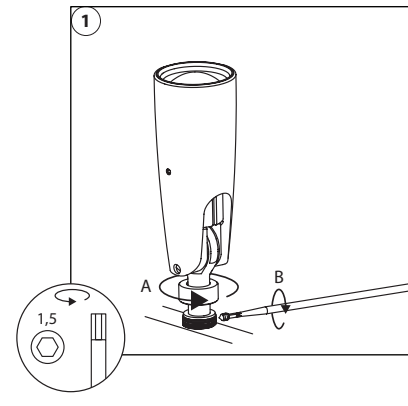
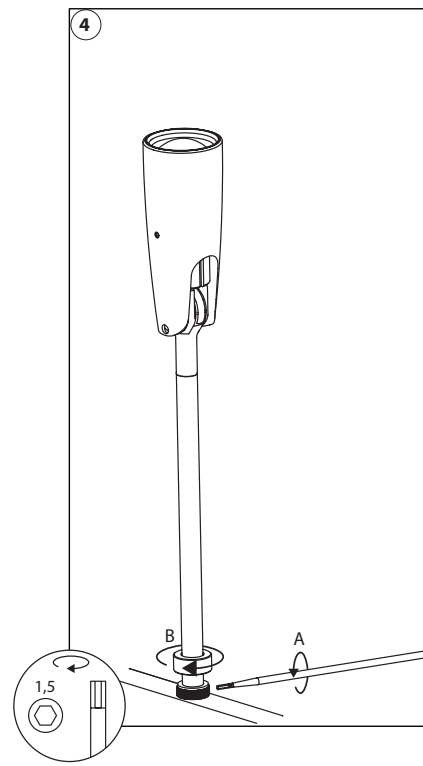
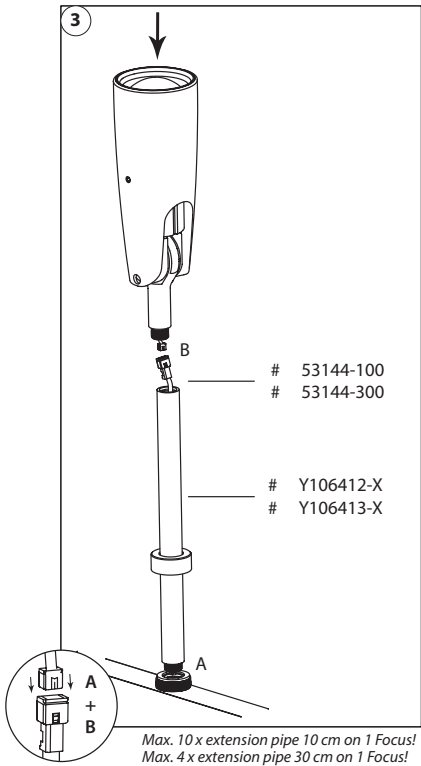
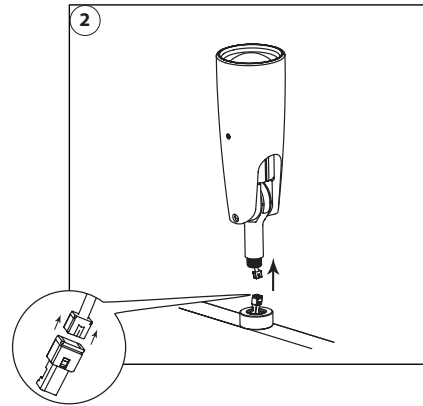
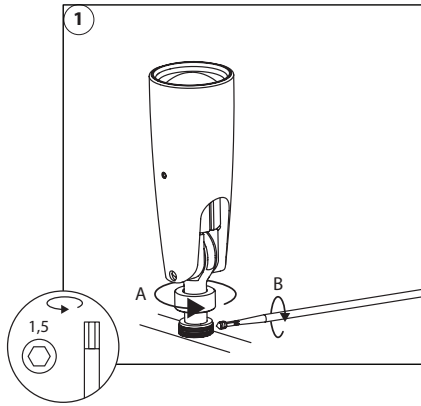
1. Place the magnet on the bulseye, located on the side of the adapter.
2. The Focus GIII T 230V starts slowly dimming from 100 - 1% in approx. 30 seconds. The dimming is very accurate and precise, so steps are very small.
3. At the desired intensity level, take away the magnet.
4. After 10 seconds the Focus T GIII flashes one time, the value has been stored on the internal memory.
5. When powering up the Focus T GIII, the stored value will be recalled from the internal memory.
6. If you want to have a lower value, replace the magnet and the Focus T GIII dims further to lower levels. To store the new setting repeat step 3 - 5.
7. If the Focus GIII T 230V is being dimmed to Level 0 and you have not programmed a value, it will automatically start at Level 100 and dim back from 100 - 1%.

# EXTENSION PIPE ASSEMBLY

Stucchi & On Track

# EXTENSION PIPE ASSEMBLY

In Track



## ACCESSORIES Global

Y110855	CLS 3-phase multi adapter grey XTSA 68
Y110865	CLS 3-phase multi adapter white XTSA 68
Y110875	CLS 3-phase multi adapter black XTSA 68
Y110880	CLS T-connector grey for 3-phaserail, ground left
Y110881	CLS T-connector black for 3-phaserail, ground left
Y110882	CLS T-connector white for 3-phaserail, ground left
Y110925	CLS 3-phase rail 1mtr aluminum XTS 4100
Y110926	CLS Global 3-phase rail 2 metre aluminum XTS 4200
Y110927	CLS Global 3-phase rail 2mtr black XTS 4200
Y110928	CLS Global 3-phase rail 3mtr aluminum XTS 4300
Y110929	CLS Global 3-phase rail 4mtr aluminum XTS 4100
Y110930	CLS Global 3-phase rail 3mtr white XTS 4300
Y110931	CLS Global 3-phase rail 3mtr black XTS 4300
Y110932	CLS Global 3-phase rail 4mtr black XTS 4400
Y110935	CLS end piece for 3-phase rail grey XTS 41
Y110938	CLS end piece for 3-phase rail black XTS 41

Y110939	CLS end piece for 3-phase rail white XTS 41-3
Y110945	CLS connection box for 3-phase rail, grey XTS 11
Y110946	CLS connection box for 3-phase rail, grey XTS 12
Y110950	CLS connection box for 3-phase rail black XTS 11
Y110954	CLS L-connector grey for 3-phaserail, ground left
Y110955	CLS L-connector grey for 3-phaserail, ground right
Y110960	CLS connect piece gray (connect rail-rail) XTS
Y110961	CLS connect piece white (connect rail-rail) XTS21
Y110962	CLS connect piece black (connect rail-rail) XTS
Y110965	CLS hanging bracke for 3-phase rail, grey SKB16
Y110966	CLS hanging set, grey SKB12 with 1.5 mtr steel
Y110970	CLS bending tool XTSV 12
Y110980	CLS round mountingdisk GA70 grey
Y110990	CLS round mountingdisk GA70 black

CLS Global items also available in white

## ACCESSORIES Stucchi

Y111900-B	CLS Stucchi multisystem 1-phase rail 1m black
Y111901-B	CLS Stucchi multisystem 1-phase rail 2m black
Y111903-B	CLS Stucchi multisystem 1-phase standard rail end cap black
Y111904-B	CLS Stucchi multisystem 1-phase rail end feed left black
Y111905-B	CLS Stucchi multisystem 1-phase rail end feed right black
Y111906-B	CLS Stucchi multisystem 1-phase rail L feed internal black
Y111907-B	CLS Stucchi multisystem 1-phase rail L feed external black
Y111908-B	CLS Stucchi multisystem 1-phase rail adjustable corner black
Y111909-B	CLS Stucchi multisystem 1-phase rail coupler black
Y111910-B	CLS Stucchi multisystem 1-phase adapter black
Y111912-B	CLS Stucchi multisystem 1-phase rail end cap hole black
Y111913	CLS Stucchi multisystem 1-phase cutting tool
Y111914-B	CLS Stucchi Suspension wire set 1.5m black
Y111915-B	CLS Stucchi multisystem wcoverplate for rail black
Y111916-B	CLS Stucchi multisystem 1-fase rail T feed ext-ext black
Y111917-B	CLS Stucchi multisystem 1-fase rail T feed ext-int black
Y111918-B	CLS Stucchi multisystem 1-fase rail T feed int-ext black
Y111919-B	CLS Stucchi multisystem 1-fase rail T feed int-int black
Y111920-B	CLS Stucchi multisystem 1-fase rail X feed black

CLS Stucchi multisystem 1-fase rail white colour also available

## ACCESSORIES

Y106017	CLS Magnet pin (5 pieces)
Y106410	CLS Focus GIII filter holder set
Y106411	CLS Focus GIII oval beam filter
Y106412-B	CLS Focus GIII extension pipe 10 cm black
Y106412-W	CLS Focus GIII extension pipe 10 cm white
Y106413-B	CLS Focus GIII extension pipe 30 cm black
Y106413-W	CLS Focus GIII extension pipe 30 cm white
53143	Female socket 150 mm tinned end
53145	Female socket 30 mm tinned end
53144-100	Male plug to female socket 100 mm
53144-300	Male plug to female socket 300 mm

	<b>Protection class</b> One, two or three		<b>Retail &amp; Food LED modules</b> Clothing, furniture, kitchens, jewellery, shoes, bread, meat, fish and vegetables & fruit.
	<b>Application area</b> Indoor or outdoor		<b>Colour</b> Available colours: Amber, blue, red or green
	<b>Application area</b> Floor, wall or ceiling		<b>White colour temperature</b> In different Kelvin values: Cold white, neutral white, warm white or extra warm white
	<b>Swivel</b> Fixture is horizontally rotatable, indicated in degrees		<b>Curve</b> Minimal bending curve in centimeters
	<b>Swivel</b> Fixture is vertically rotatable, indicated in degrees		<b>Cutting length</b> Indicated by the cutting marks
	<b>Multiple connection</b> Daisychain connectivity		<b>LED pitch</b> Pitch between the LEDs in millimeters
	<b>Installation depth</b> In centimeters		<b>Power supply</b> In VDC, VAC or milliAmpere
	<b>Installation size</b> In centimeters		<b>Power consumption</b> In VA or Watt
	<b>Cable length</b> Maximum cable attached to the fixture in centimeters		<b>Dimmable</b> 1-10 Volt, Phase, individual, DMX dimmable or DALI
	<b>Driver</b> Inclusive or exclusive internal or external		<b>PWM dimming</b> Traditional PWM dimming, DMX analog or DMX Hybrid dim
	<b>Weight</b> In grams/kilograms		<b>Bluetooth controlled</b> By Casambi
	<b>Pressure</b> Maximum pressure on the fixture in kg/cm²		<b>Magno dimming</b> Accurate dimming from 100 - 1% by using a magnet
	<b>Lifespan</b> Of the light source in hours		<b>Dynamic Control</b> Dynamic Power Control or Dynamic Temperature Control
	<b>Lenses</b> Available lenses, indicated in degrees		<b>DMX input</b> Fixture works on DMX512 protocol or Wireless DMX
	<b>Performance Zoom</b> Adjustable beam angle		<b>Combined product</b> Compose your own fixture
	<b>LEDs</b> Kind of LED used in the fixture		<b>Warranty</b> 3 or 5 years warranty on the product
	<b>Plug &amp; play</b> Easy connection using the SmartConnect system		<b>Conformité Européenne</b> CE marking for free marketability of industrial goods within the EU
	<b>IP value</b> Ingress Protection classifies the degrees of protection provided against the intrusion of the product		<b>Energy label</b>
	<b>Colour changing</b> RGB, RGB-w, RGB-A, AWB or Tunable White		<b>Lightsource</b> Equipped with a CLS, Bridgelux or a Xicato LED module