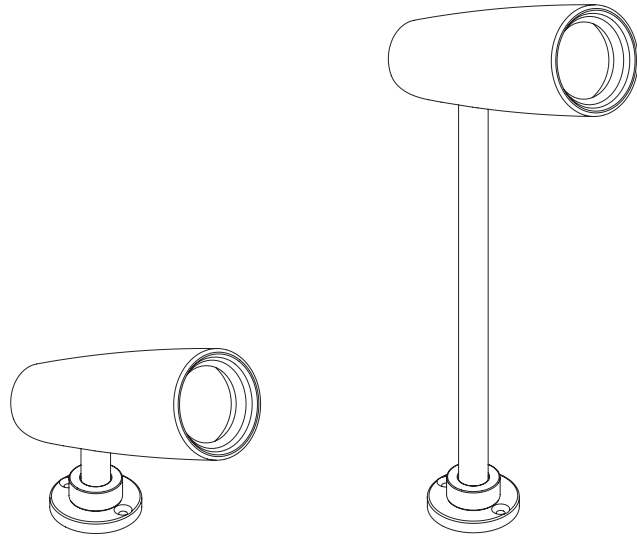


Index	2	Extension pipe assembly	5	Wiring diagram DALI dim drivers	11
Safety information	2	Wiring diagram Non dim drivers	6	Wiring diagram LDC-41 GIII driver	12
Content	2	Wiring diagram Mains dim drivers	8	Zoom function	13
Technical	3	Wiring diagram 1-10V dim drivers	9	Accessories	14
Specifications	3	Wiring diagram Casambi Bluetooth	10	List of symbols	15
Installation	4				



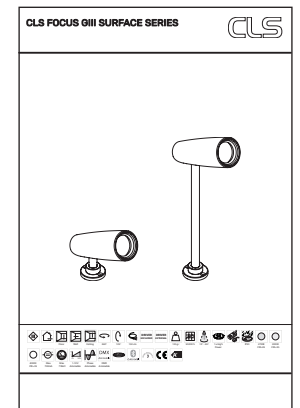
## SAFETY INFORMATION

<p><b>Always switch off mains power of the driver before connecting or maintaining any fixtures!</b></p>			<p>Do not stare into the LED</p>	<p>Ambiance Max. 40°</p>	<p>Qualified technician</p>

## CONTENT

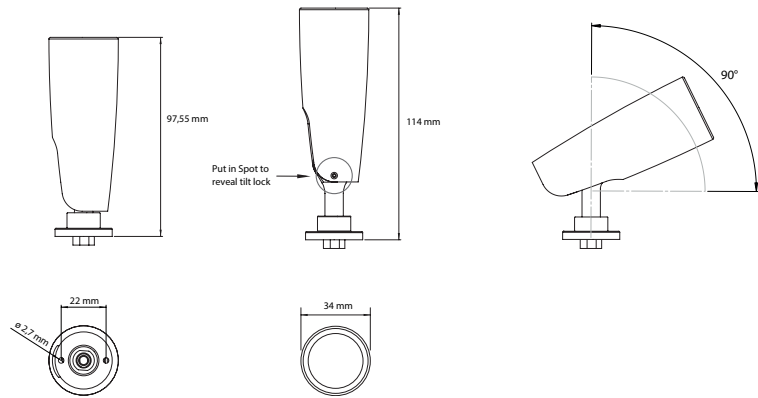


Y106415 CLS Focus GIII accessory holder

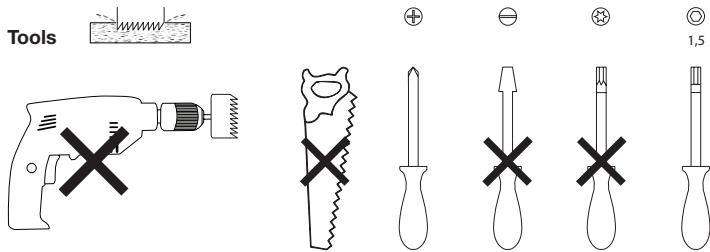


3500K CRI=95	4000K CRI=95	Max. 700mA	Max. 7 Watt	1-10V dimmable	Phase dimmable	DMX dimmable									

# TECHNICAL



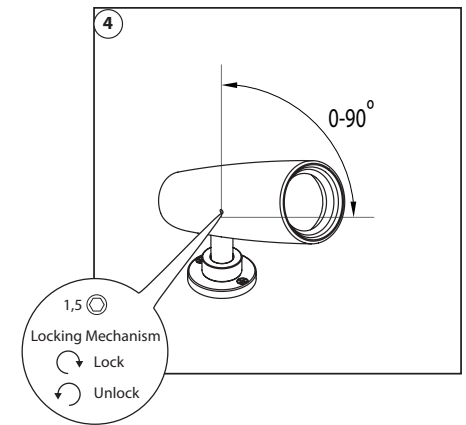
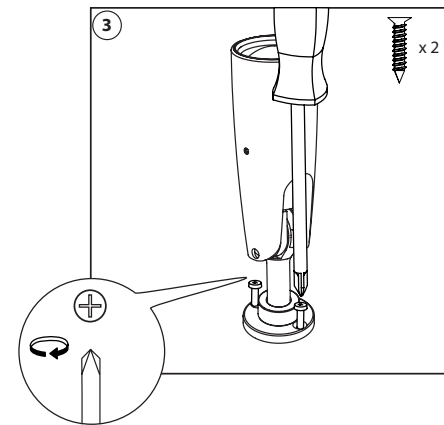
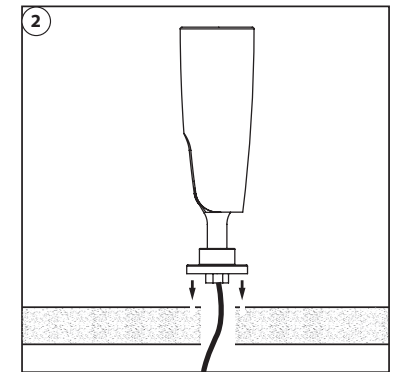
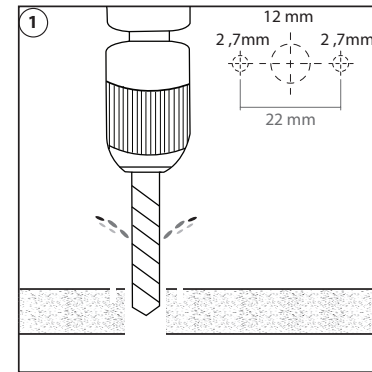
## Tools



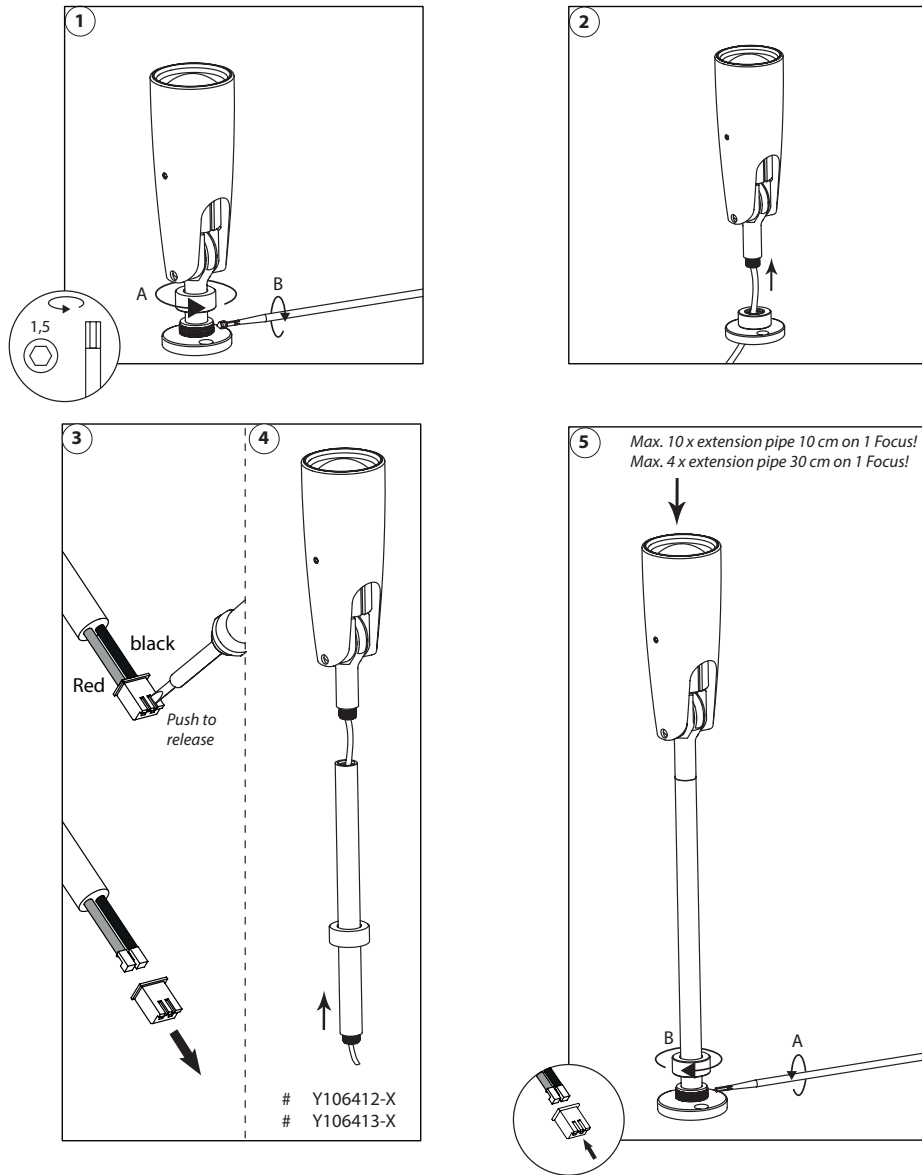
## SPECIFICATIONS

LED: 1 x High Power LED  
 Available colours: CRI>95: 2700K, 3000K, 3500K & 4000K  
 Beam angle: 10° to 70°  
 Power supply: Max. 700mA  
 Power consumption: Max. 7 Watt  
 Housing: Anodised aluminum black or white coated  
 Weight: 125gr  
 IP value: IP20  
 Cable length: 150 centimeter  
 Measurements: ø 34 x 114 mm (exh)  
 Ambient temperature: -10° C till +40° C

# INSTALLATION



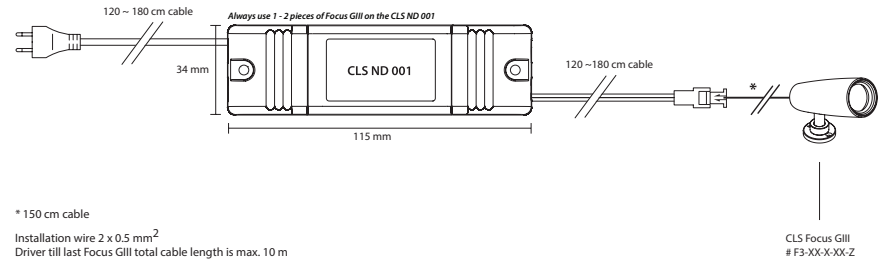
# EXTENSION PIPE ASSEMBLY



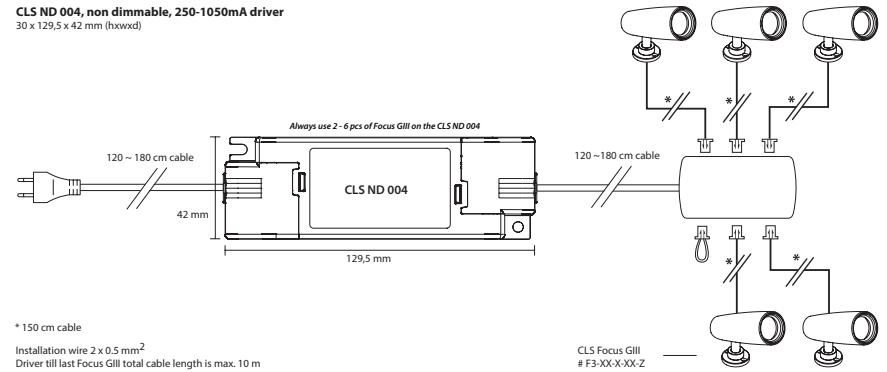
# WIRING DIAGRAM NON DIM DRIVERS

**!** Always switch off mains power of the driver before connecting any fixtures!

**CLS ND 001, non dimmable, 700mA driver**  
19 x 115 x 34 mm (hxwxwd)



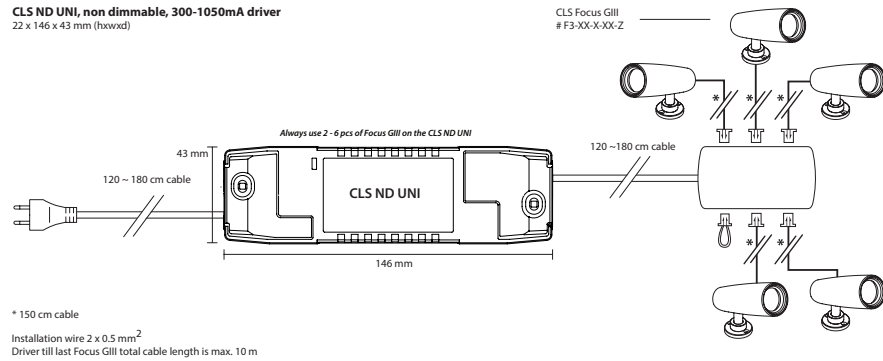
**CLS ND 004, non dimmable, 250-1050mA driver**  
30 x 129,5 x 42 mm (hxwxwd)



# WIRING DIAGRAM MAINS DIM DRIVERS

**!** Always switch off mains power of the driver before connecting any fixtures!

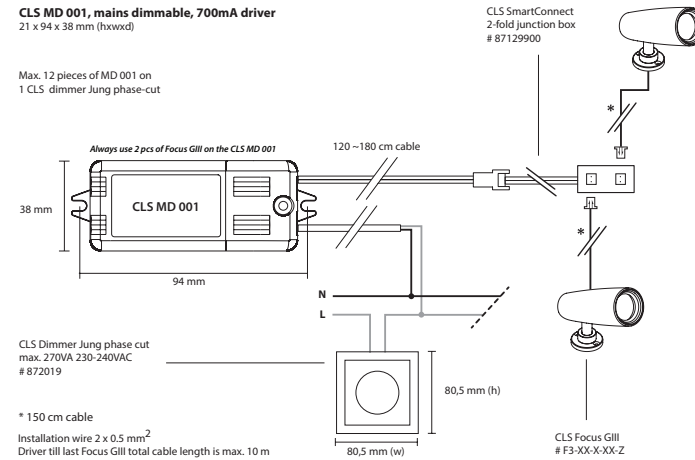
**CLS ND UNI, non dimmable, 300-1050mA driver**  
22 x 146 x 43 mm (hxwxzd)



\* 150 cm cable  
Installation wire 2 x 0.5 mm<sup>2</sup>  
Driver till last Focus Gill total cable length is max. 10 m

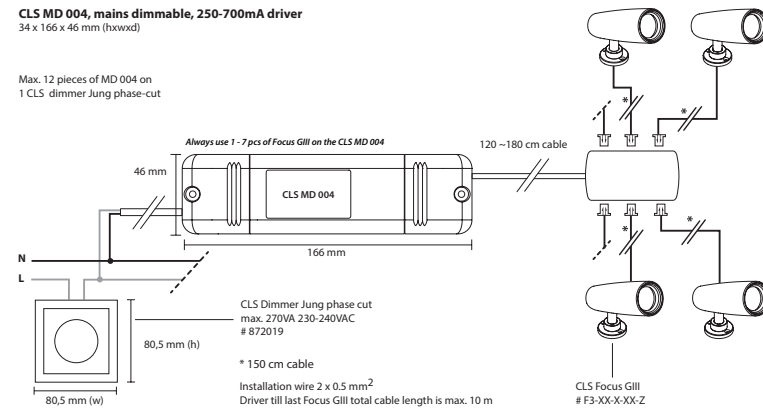
**!** Always switch off mains power of the driver before connecting any fixtures!

**CLS MD 001, mains dimmable, 700mA driver**  
21 x 94 x 38 mm (hxwxzd)



\* 150 cm cable  
Installation wire 2 x 0.5 mm<sup>2</sup>  
Driver till last Focus Gill total cable length is max. 10 m

**CLS MD 004, mains dimmable, 250-700mA driver**  
34 x 166 x 46 mm (hxwxzd)



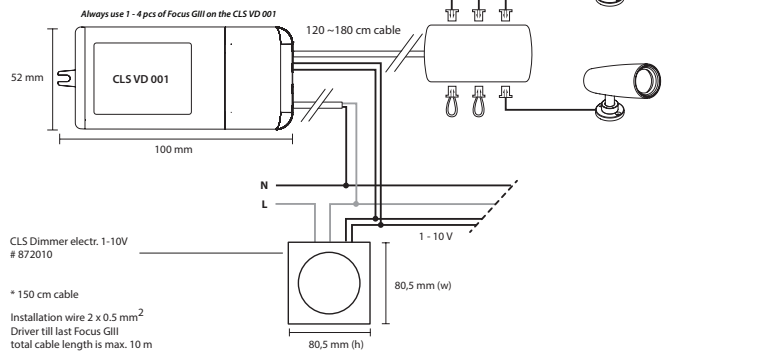
\* 150 cm cable  
Installation wire 2 x 0.5 mm<sup>2</sup>  
Driver till last Focus Gill total cable length is max. 10 m

# WIRING DIAGRAM 1-10V DIM DRIVERS

**! Always switch off mains power of the driver before connecting any fixtures!**

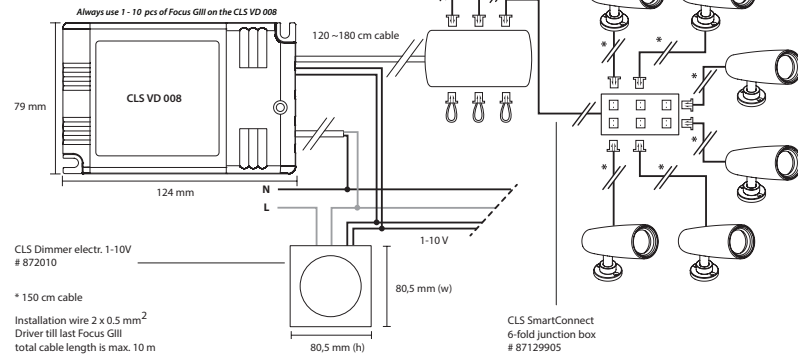
**CLS VD 001, 1-10V dimmable, 350-900mA driver**  
22 x 100 x 52 mm (hxxwd)

Max. 12 pieces of VD 001 on  
1 CLS Dimmer electr. 1-10V



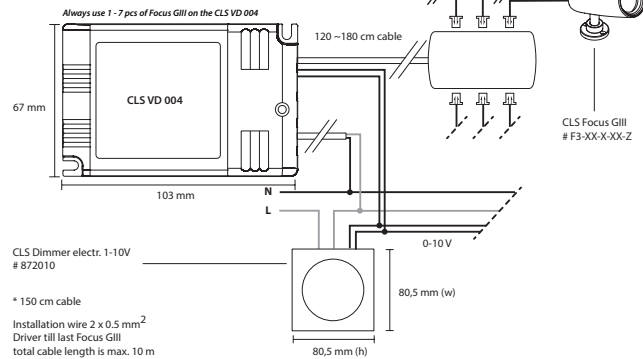
**CLS VD 008, 1-10V dimmable, 250-700mA driver**  
22 x 124 x 79 mm (hxxwd)

Max. 12 pieces of VD 008 on  
1 CLS Dimmer electr. 1-10V



**CLS VD 004, 1-10V dimmable, 350-900mA driver**  
21 x 103 x 67 mm (hxxwd)

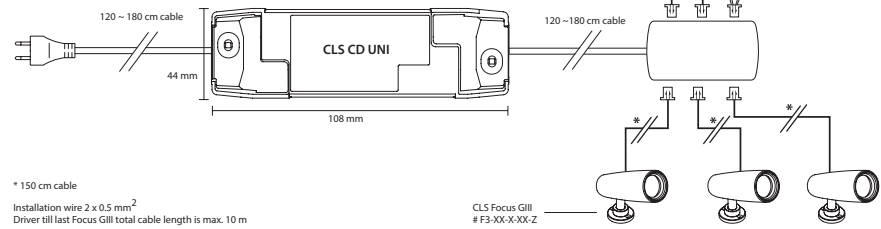
Max. 12 pieces of VD 004 on  
1 CLS Dimmer electr. 1-10V



# WIRING DIAGRAM CASAMBI BLUETOOTH CONTROL

**CLS CD UNI, Casambi Bluetooth, 350-700mA driver**  
30 x 108 x 44 mm (hxxwd)

Always use 2-7 pcs of Focus Gill on the CLS CD UNI



# WIRING DIAGRAM DALI DIM DRIVERS

# WIRING DIAGRAM LDC-41 GIII DIMMER

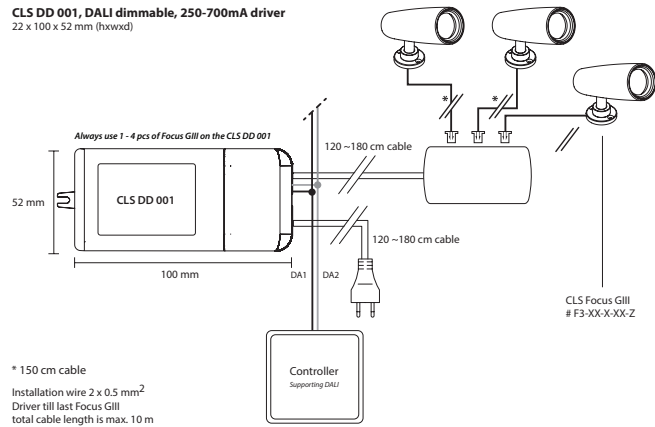


**Always switch off mains power of the driver before connecting any fixtures!**

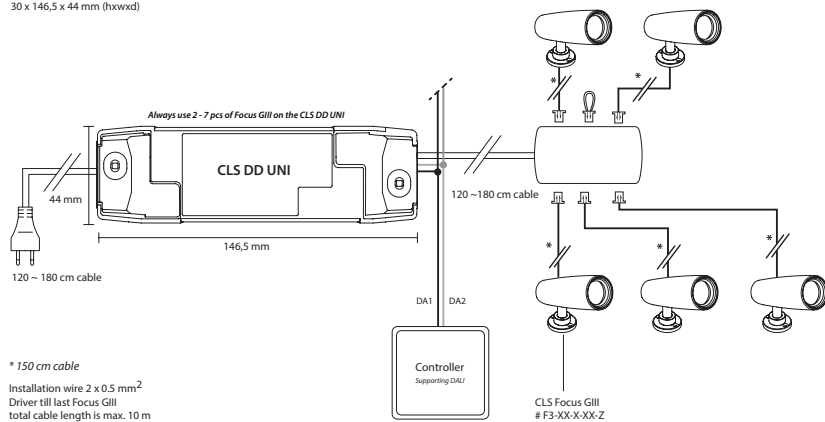


**Always switch off mains power of the driver before connecting any fixtures!**

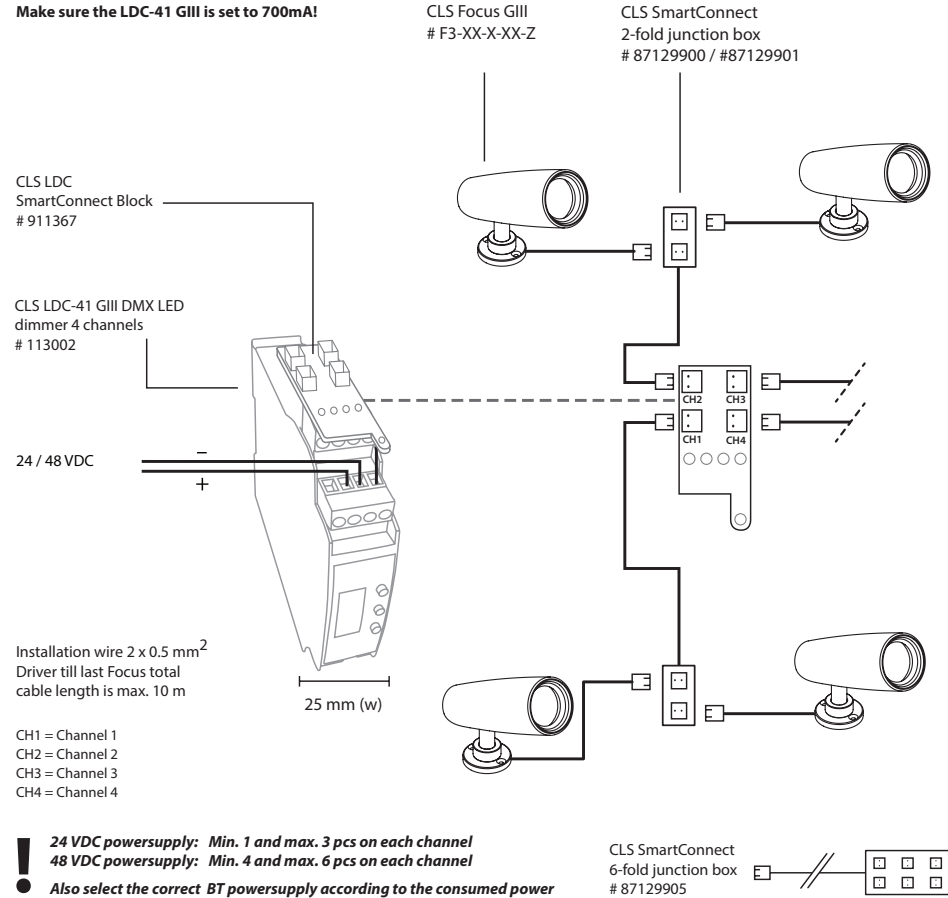
**CLS DD 001, DALI dimmable, 250-700mA driver**  
22 x 100 x 52 mm (hxwxzd)



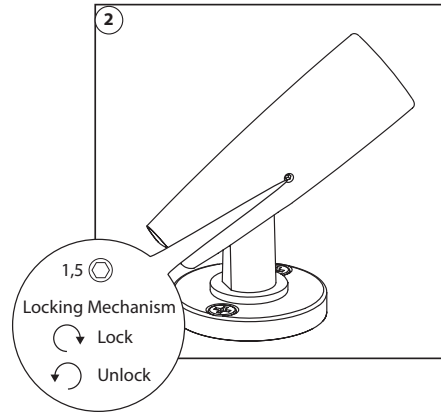
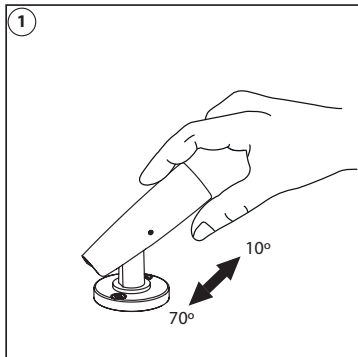
**CLS DD UNI, DALI dimmable, 350-700mA driver**  
30 x 146.5 x 44 mm (hxwxzd)



**Make sure the LDC-41 GIII is set to 700mA!**



# ZOOM FUNCTION



# ACCESSORIES

## ACCESSORIES

113002	CLS LDC-41 GIII DMX LED dimmer 4 channels 0.35-1A per channel
87129900	CLS SmartConnect 2-fold junction box & shortcircuit connect.
87129901	CLS SmartConnect 2-fold junction box with 5 metre cable
87129905	CLS SmartConnect 6-fold junction box & shortcircuit connect.
87129915	CLS SmartConnect short circuit plugs (10pcs)
872010	CLS Dimmer electr. 1-10V for MT35/MTD44 LED driver
872019	CLS Dimmer Jung phase cut max. 270VA 230-240VAC
874001	CLS ND 001 non dim, 100 - 240 V, 700mA driver
874004	CLS ND 004 non dim, 198 - 264 V, 250-1050mA driver
874003	CLS ND UNI non dim driver, 220 - 240 V, 300-1050mA driver
874101	CLS MD 001 mains dim. 198-264V, 700mA driver
874104	CLS MD 004 mains dim. 198-264V, 250-700mA driver
874201	CLS VD 001, 1-10V dim, 99-264 V, 350-900mA driver
874204	CLS VD 004, 1-10V dim, 99-264 V, 350-900mA driver
874208	CLS VD 008, 1-10V dim, 99-264 V, 250-700mA driver
874301	CLS DD 001, DALI dim, 99-264 V, 250-700mA driver
874302	CLS DD UNI, DALI dim driver
875014	CLS CD UNI driver, 230 V, Casambi Bluetooth control, 300-700mA driver
911367	CLS LDC SmartConnect block LDC to SmartConnect system
Y106410	CLS Focus GIII filter holder set
Y106411	CLS Focus GIII oval beam filter
Y106415	CLS Focus GIII accessory holder
Y106412-B	CLS Focus GIII extension pipe 10 cm black
Y106412-W	CLS Focus GIII extension pipe 10 cm white
Y106413-B	CLS Focus GIII extension pipe 30 cm black
Y106413-W	CLS Focus GIII extension pipe 30 cm white
Y106414	CLS Focus GIII snoot
Y106415	CLS Focus GIII Accessory holder

# LIST OF SYMBOLS

	<b>Protection class</b> One, two or three		<b>Retail &amp; Food LED modules</b> Clothing, furniture, kitchens, jewellery, shoes, bread, meat, fish and vegetables & fruit.
	<b>Application area</b> Indoor or outdoor		
	<b>Application area</b> Floor, wall or ceiling		<b>Colour</b> Available colours: Amber, blue, red or green
	<b>Swivel</b> Fixture is horizontally rotatable, indicated in degrees		<b>White colour temperature</b> In different Kelvin values: Cold white, neutral white, warm white or extra warm white
	<b>Swivel</b> Fixture is vertically rotatable, indicated in degrees		<b>Curve</b> Minimal bending curve in centimeters
	<b>Multiple connection</b> Daisychain connectivity		<b>Cutting length</b> Indicated by the cutting marks
	<b>Installation depth</b> In centimeters		<b>LED pitch</b> Pitch between the LEDs in millimeters
	<b>Installation size</b> In centimeters		<b>Power supply</b> In VDC, VAC or milliAmpere
	<b>Cable length</b> Maximum cable attached to the fixture in centimeters		<b>Power consumption</b> In VA or watt
	<b>Driver</b> Inclusive or exclusive Internal or external		<b>Dimmable</b> 1-10 Volt, Phase, individual, DMX dimmable or DALI
	<b>Weight</b> In grams/kilograms		<b>PWM dimming</b> Traditional PWM dimming, DMX analog or DMX Hybrid dim
	<b>Pressure</b> Maximum pressure on the fixture in kg/cm <sup>2</sup>		<b>Bluetooth controlled</b> By Casambi
	<b>Lifespan</b> Of the light source in hours		<b>Magne dimming</b> Accurate dimming from 100 - 1% by using a magnet
	<b>Lenses</b> Available lenses, indicated in degrees		<b>Dynamic Control</b> Dynamic Power Control or Dynamic Temperature Control
	<b>Performance Zoom</b> Adjustable beam angle		<b>DMX input</b> Fixture works on DMX512 protocol or wireless DMX
	<b>LEDs</b> Kind of LED used in the fixture		<b>Combined product</b> Compose your own fixture
	<b>Plug &amp; play</b> Easy connection using the SmartConnect system		<b>Warranty</b> 3 or 5 years warranty on the product
	<b>IP value</b> Ingress Protection classifies the degrees of protection provided against the intrusion of the product		<b>Conformité Européenne</b> CE marking for free marketability of industrial goods within the EU
	<b>Colour changing</b> RGB, RGB-W, RGB-A, AWB or Tunable White		<b>Energy label</b>
			<b>Lightsource</b> Equipped with a CLS, Bridgelux or a Xicato LED module

2022 CLS-LED BV. All rights reserved. Information subject to change without notice. CLS-LED BV and all affiliated companies disclaim liability for injury, damage direct or indirect loss, consequential or economic loss or any other loss occasioned by the use of, inability to use or reliance on the information contained in this manual. No part of this manual may be reproduced, in any form or by any means, without permission in writing from CLS-LED BV. Other legal information can be found in our General conditions, found on the back of your CLS-LED BV invoice, inside the CLS catalogue or on our website [www.cls-led.com/General-Terms.pdf](http://www.cls-led.com/General-Terms.pdf)