

Index _____ 2

Safety information _____ 2

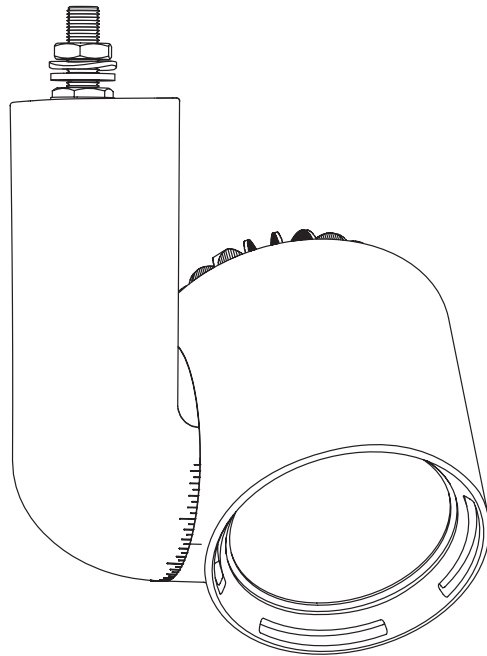
Content _____ 2

Technical _____ 3

Specifications _____ 3

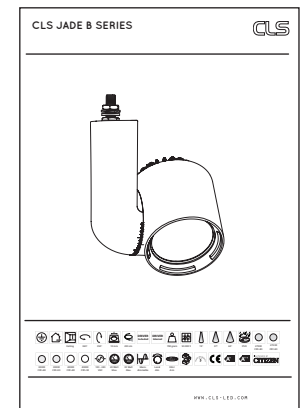
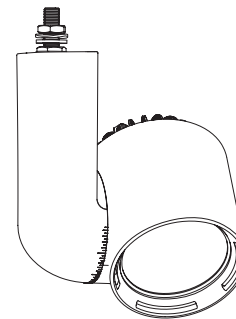
Installation _____ 4

List of symbols _____ 5



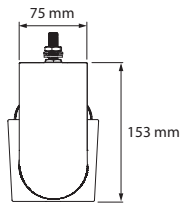
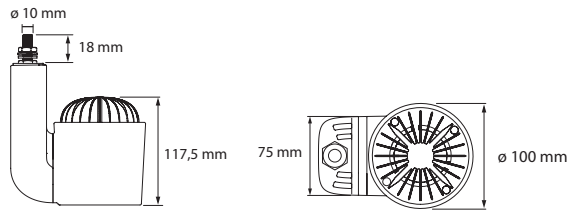
SAFETY INFORMATION

CONTENT

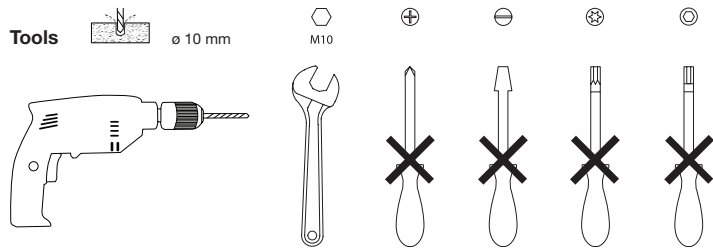


Ceiling	360°	350°	10 mm	200 cm	DRIVER Included	DRIVER Internal	780 gram	50,000 h	19°	37°	63°	IP20	2700K CRI>80	2700K CRI>90		
														LIGHTSOURCE BY CITIZEN		
3000K CRI>80	3000K CRI>90	4000K CRI>80	4000K CRI>90	100-240 VAC	20 Watt Max.	30 Watt Max.	Mains dimmable	Local dim	DALI dim	5	CE	A+	A++	www.cls-led.com		

TECHNICAL



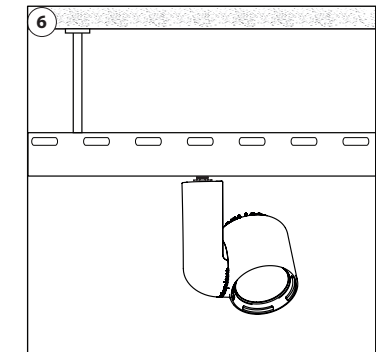
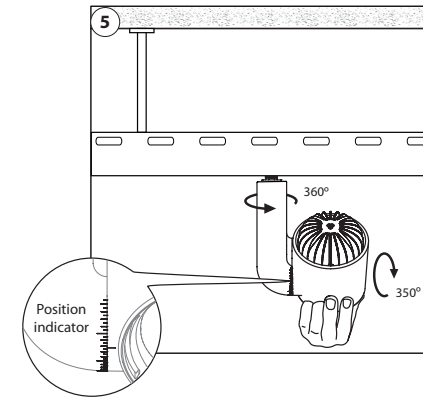
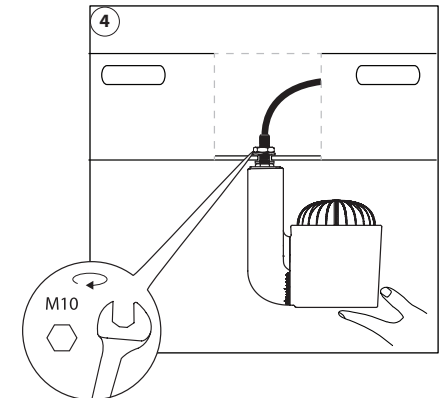
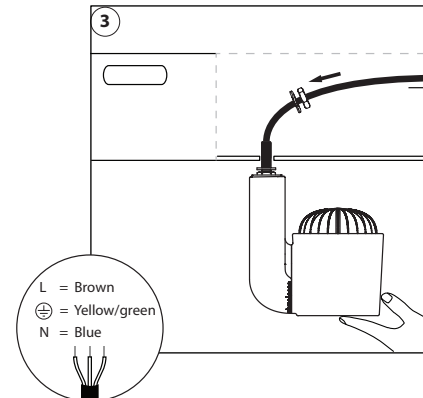
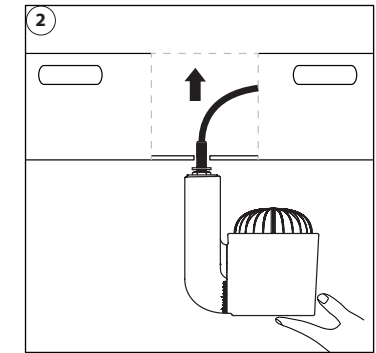
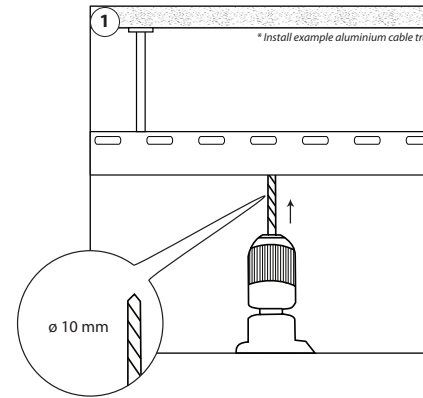
Tools



SPECIFICATIONS

LED:	Citizen
Available colours:	CRI 80: 2700K, 3000K & 4000K CRI 90: 2700K, 3000K & 4000K
Beam angle:	19°, 37° or 63°
Power supply:	100 ~ 240 VAC
Power consumption:	Max. 20 Watt (2000 lumen) Max. 30 Watt (3500 lumen)
Housing:	Black, grey or white PC (PC-ABS V0) Heatsink black, grey or white coated aluminium
Weight:	780 gram
Cable Length:	200 cm
IP value:	IP20
Measurements:	171 x 100 x 100 mm (hwxwd)
Ambient temperature:	-10° C till +40° C

INSTALLATION



LIST OF SYMBOLS

	Protection class One, two or three		Retail & Food LED modules Clothing, furniture, kitchens, jewellery, shoes, bread, meat, fish and vegetables & fruit.
	Application area Indoor or outdoor		
	Application area Floor, wall or ceiling		Colour Available colours: Amber, blue, red or green
	Swivel Fixture is horizontally rotatable, indicated in degrees		White colour temperature In different Kelvin values: Cold white, neutral white, warm white or extra warm white
	Swivel Fixture is vertically rotatable, indicated in degrees		Curve Minimal bending curve in centimeters
	Multiple connection Daisychain connectivity		Cutting length Indicated by the cutting marks
	Installation depth In centimeters		LED pitch Pitch between the LEDs in millimeters
	Installation size In centimeters		Power supply In VDC, VAC or milliAmpere
	Cable length Maximum cable attached to the fixture in centimeters		Power consumption In VA or Watt
	Driver Inclusive or exclusive internal or external		Dimmable 1-10 Volt, Phase, individual, DMX dimmable or DALI
	Weight In grams/kilograms		PWM dimming Traditional PWM dimming, DMX analog or DMX Hybrid dim
	Pressure Maximum pressure on the fixture in kg/cm ²		Bluetooth controlled By Casambi
	Lifespan Of the light source in hours		Magne dimming Accurate dimming from 100 - 1% by using a magnet
	Lenses Available lenses, indicated in degrees		Dynamic Control Dynamic Power Control or Dynamic Temperature Control
	Performance Zoom Adjustable beam angle		DMX input Fixture works on DMX512 protocol
	LEDs Kind of LED used in the fixture		Combined product Compose your own fixture
	Plug & play Easy connection using the SmartConnect system		Warranty 3 or 5 years warranty on the product
	IP value Ingress Protection classifies the degrees of protection provided against the intrusion of the product		Conformité Européenne CE marking for free marketability of industrial goods within the EU
	Colour changing RGB, RGB-W, RGB-A, AWB or Tunable White		Energy label
			Lightsource Equipped with a CLS, Citizen or a Xicato LED module

2018 CLS-LED BV. All rights reserved. Information subject to change without notice, CLS-LED BV and all affiliated companies disclaim liability for injury, damage direct or indirect loss, consequential or economic loss or any other loss occasioned by the use of, inability to use or reliance on the information contained in this manual. No part of this manual may be reproduced, in any form or by any means, without permission in writing from CLS-LED BV. Other legal information can be found in our General conditions, found on the back of your CLS-LED BV invoice, inside the CLS catalogue or on our website www.cls-led.com/General-Terms.pdf