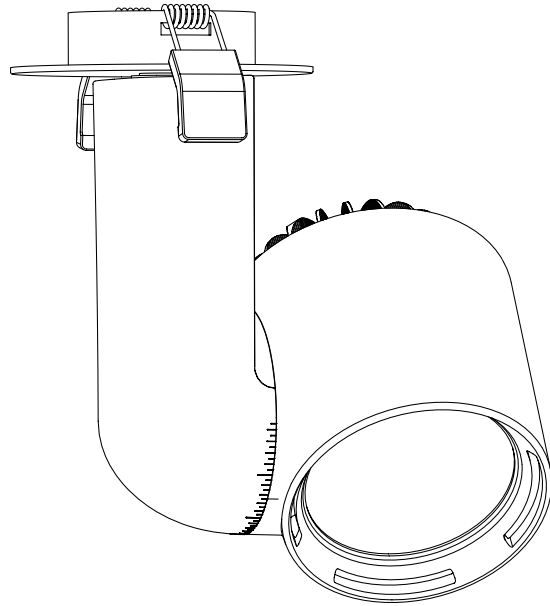


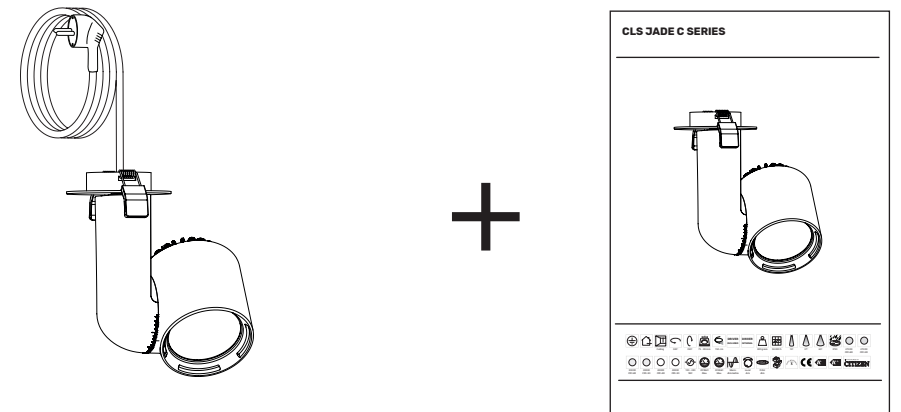
Index	2	Specifications	3
Safety information	2	Installation	4
Content	2	List of symbols	5
Technical	3		

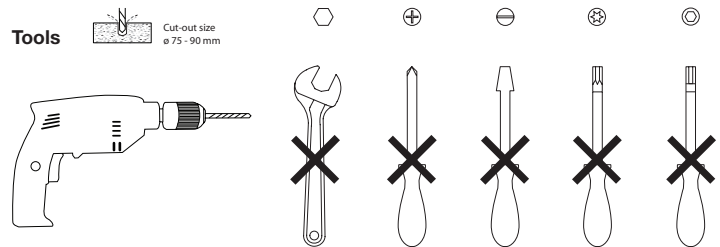
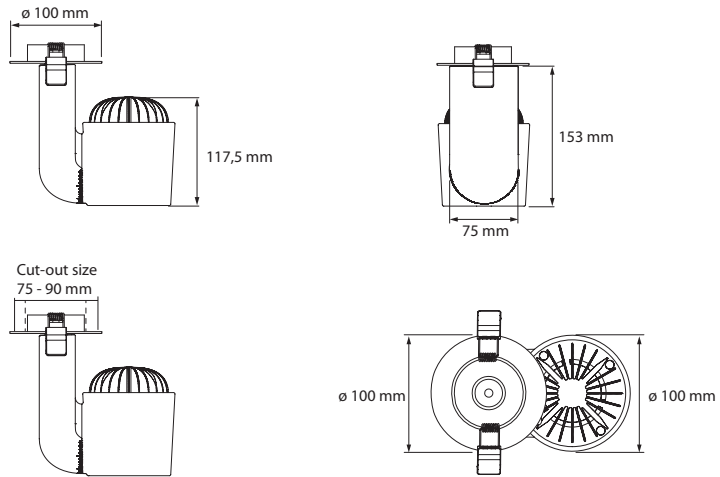


## SAFETY INFORMATION

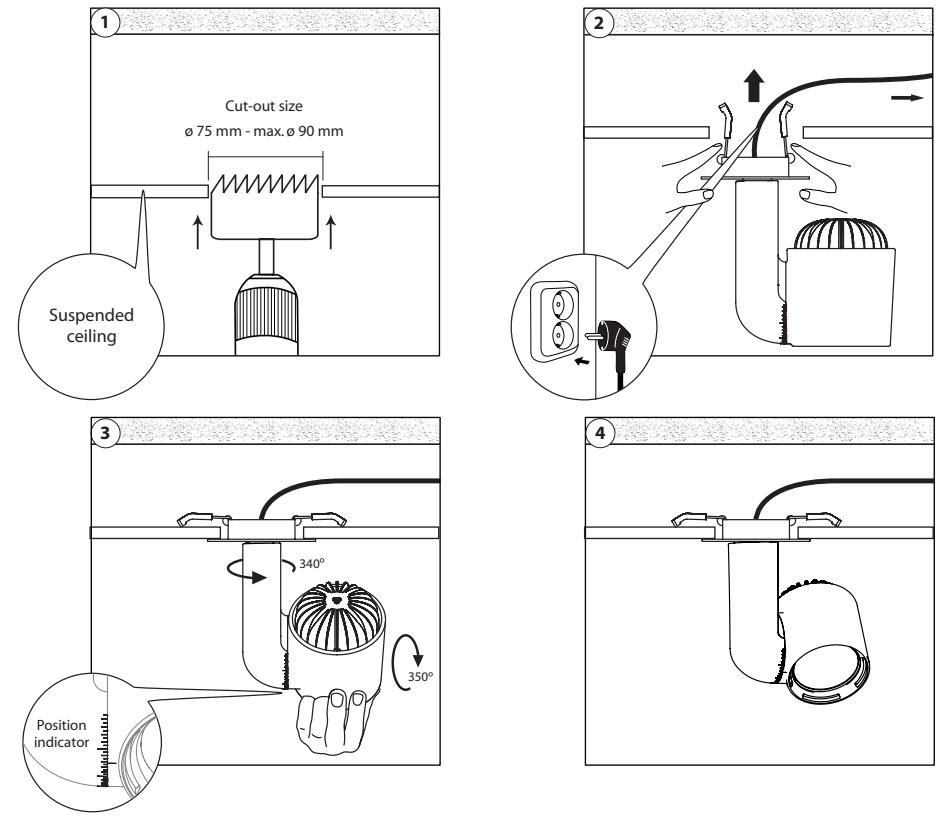
Make sure all connectors are connected properly	Use a source of AC power that complies to local electrical codes	Block access below the work area when maintaining the unit	Don't modify or install genuine parts on this product	Don't install in a flammable or explosive area	Warning! Some surfaces can be hot

## CONTENT



SPECIFICATIONS	
LED:	Citizen
Available colours:	CRI 80: 2700K, 3000K & 4000K CRI 90: 2700K, 3000K & 4000K
Beam angle:	19°, 37° or 63°
Power supply:	100 ~ 240 VAC
Power consumption:	Max. 20 Watt (2000 lumen) Max. 30 Watt (3500 lumen)
Housing:	Black, grey or white PC (PC-ABS V0) Heatsink black, grey or white coated aluminium
Weight:	780 gram
Cable length:	150 cm with schuko connector
IP value:	IP20
Measurements:	152,7 x 100 x 100 mm (hwxwd)
Ambient temperature:	-10° C till +40° C



# LIST OF SYMBOLS



**Protection class**  
One, two or three



**Application area**  
Indoor or outdoor



**Application area**  
Floor, wall or ceiling



**Swivel**  
Fixture is horizontally rotatable,  
indicated in degrees



**Swivel**  
Fixture is vertically rotatable,  
indicated in degrees



**Multiple connection**  
Daisychain connectivity



**Installation depth**  
In centimeters



**Installation size**  
In centimeters



**Cable length**  
Maximum cable attached  
to the fixture in centimeters



**Driver**  
Inclusive or exclusive  
Internal or external



**Weight**  
In grams/kilograms



**Pressure**  
Maximum pressure on the  
fixture in kg/cm<sup>2</sup>



**Lifespan**  
Of the light source in hours



**Lenses**  
Available lenses,  
indicated in degrees



**Performance Zoom**  
Adjustable beam angle



**Performance Zoom**  
Adjustable beam angle



**LEDs**  
Kind of LED used in the  
fixture



**Plug & play**  
Easy connection using the  
SmartConnect system



**IP value**  
Ingress Protection classifies the  
degrees of protection provided against  
the intrusion of the product



**Colour changing**  
RGB, RGB-W, RGB-A,  
AWB or Tunable White



**Retail & Food LED modules**  
Clothing, furniture, kitchens, jewellery,  
shoes, bread, meat, fish and  
vegetables & fruit.



**Colour**  
Available colours:  
Amber, blue, red or green



**White colour temperature**  
In different Kelvin values:  
Cold white, neutral white, warm  
white or extra warm white



**Curve**  
Minimal bending curve  
in centimeters



**Cutting length**  
Indicated by the cutting  
marks



**LED pitch**  
Pitch between the LEDs  
in millimeters



**Power supply**  
In VDC, VAC or milliAmpere



**Power consumption**  
In VA or Watt



**Dimmable**  
1-10 Volt, Phase, individual,  
DMX dimmable or DALI



**PWM dimming**  
Traditional PWM dimming, DMX analog  
or DMX Hybrid dim



**Bluetooth controlled**  
By Casambi



**Magne dimming**  
Accurate dimming from  
100 - 1% by using a magnet



**Dynamic Control**  
Dynamic Power Control or  
Dynamic Temperature Control



**DMX input**  
Fixture works on DMX512  
protocol



**Combined product**  
Compose your own fixture



**Warranty**  
3 or 5 years warranty on  
the product



**Conformité Européenne**  
CE marking for free marketability  
of industrial goods within the EU



**Energy label**



**Lightsource**  
Equipped with a CLS, Citizen or a Xicato  
LED module

2019 CLS-LED BV. All rights reserved. Information subject to change without notice. CLS-LED BV and all affiliated companies disclaim liability for injury, damage direct or indirect loss, consequential or economic loss or any other loss occasioned by the use of, inability to use or reliance on the information contained in this manual. No part of this manual may be reproduced, in any form or by any means, without permission in writing from CLS-LED BV. Other legal information can be found in our General conditions, found on the back of your CLS-LED BV invoice, inside the CLS catalogue or on our website [www.cls-led.com/General-Terms.pdf](http://www.cls-led.com/General-Terms.pdf)