

JADE EXPO

| | | | |
|--------------------|---|-----------------------------|----|
| Index | 2 | Barndoor assembly | 5 |
| Safety information | 2 | Barndoor combi assembly | 6 |
| Content | 2 | Snoot / half snoot assembly | 7 |
| Technical | 3 | Honey comb louvre assembly | 9 |
| Specifications | 3 | Accessory combinations | 9 |
| Installation | 4 | Accessories | 10 |
| | | List of symbols | 16 |

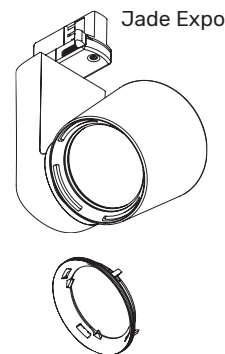
JADE EXPO DMX VERSION

| | |
|-----------------------------|----|
| Installation Global adapter | 11 |
| Installation Eutrac adapter | 12 |
| Programming | 13 |
| Wireless DMX | 13 |
| Bluetooth by Casambi | 13 |
| Programming table | 14 |
| Factory settings table | 14 |
| Accessories | 15 |

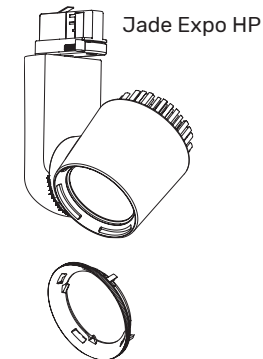
SAFETY INFORMATION

| | | | | | |
|---|--|--|---|--|-----------------------------------|
| | | | | | |
| Make sure all connectors are connected properly | Use a source of AC power that complies with local electrical codes | Block access below the work area when maintaining the unit | Don't modify or install genuine parts on this product | Don't install in a flammable or explosive area | Warning! Some surfaces can be hot |

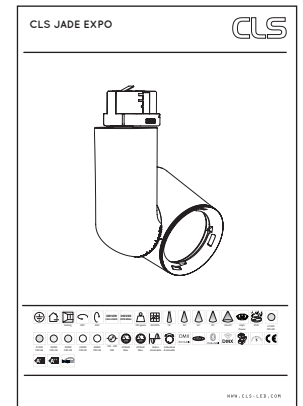
CONTENT



OR

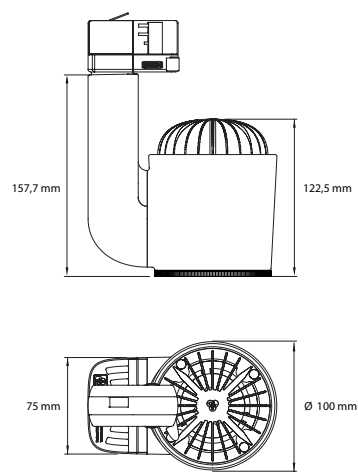


+

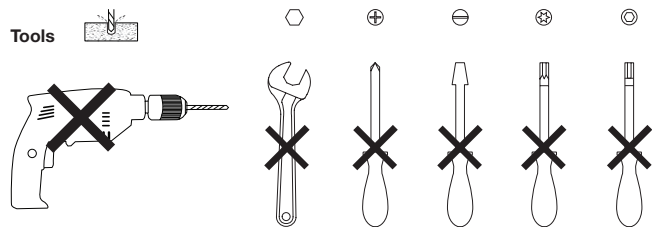
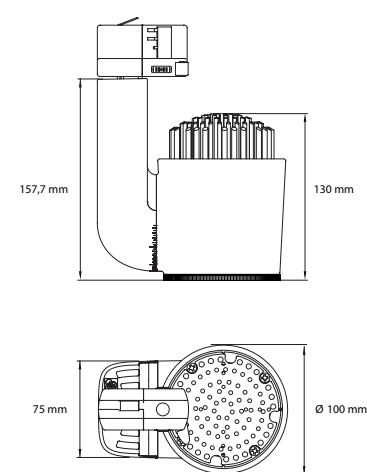


| | | | | | | | | | | | | | | | |
|--------------|--------------|--------------|--------------|--------------|---------------|--------------|--------------|----------------|---------------------|--------------|-----|---------|-----|-----------------|----|
| | | | | | | | | | | | | | | | |
| 2700K CRI>98 | 3000K CRI>90 | 3000K CRI>98 | 4000K CRI>90 | 4000K CRI>98 | 100 - 240 VAC | 30 Watt Max. | 40 Watt Max. | Mains dimmable | Individual dimmable | DMX dimmable | DMX | CAS-MBI | DMX | 5 YEAR WARRANTY | CE |
| | | | | | | | | | | | | | | | |

Jade Expo : 30 Watt

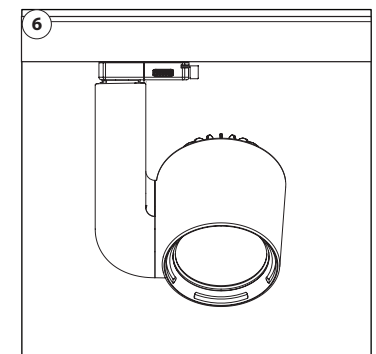
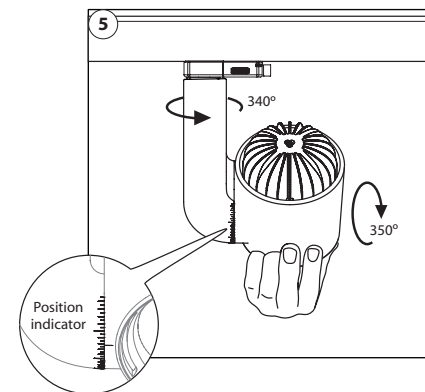
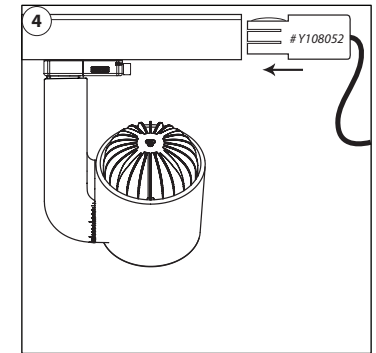
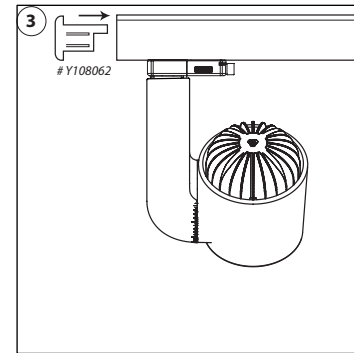
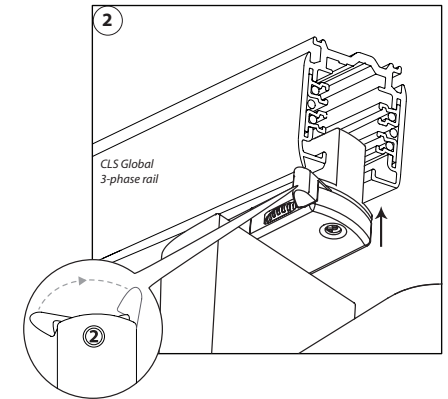
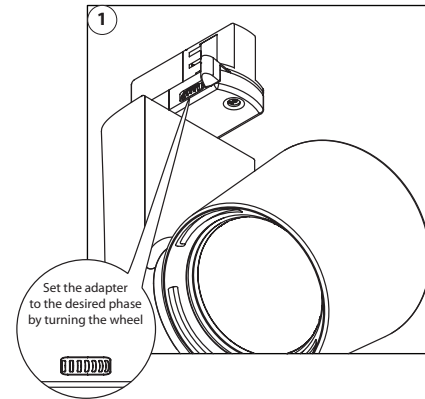
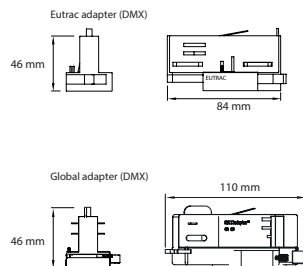


Jade Expo HP : 40 Watt



SPECIFICATIONS

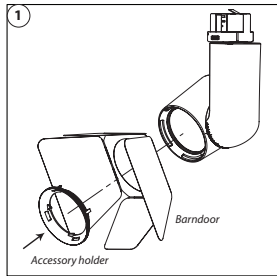
LED: Bridgelux or Xicato
 Single colours: Bridgelux: CRI>90/CRI>98: 2700K, 3000K, 3500K & 4000K
 Xicato: CRI>98: 2700K, 3000K, 3500K & 4000K
 Beam angle: 19°, 33°, 42°, 70° or 55 x 22°
 Power supply: 100 ~ 240 VAC
 Power consumption: Max. 30 Watt (3500 lumen)
 Max. 40 Watt (4500 lumen)
 Housing: Black, grey or white PC (PC-ABS V0)
 Heatsink black or white coated aluminium
 Weight: 780 gram
 IP value: IP20
 Measurements: 157.7 x 100 x 100 mm (h x w x d)
 Ambient temperature: -10° C till +40° C



BARNDOOR ASSEMBLY

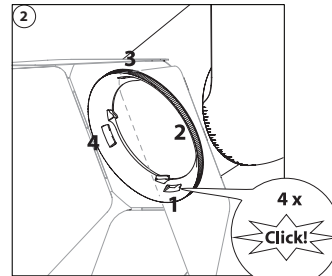
BARNDOOR COMBI ASSEMBLY

Example Barndoor & Snoot



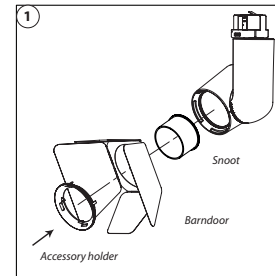
NL Plaats de accessoire houder met de 4 klikvingers in het midden van de montage gleuf op de Jade.

UK Place the accessory holder with the 4 click fingers in the middle of the mounting slot on the Jade.



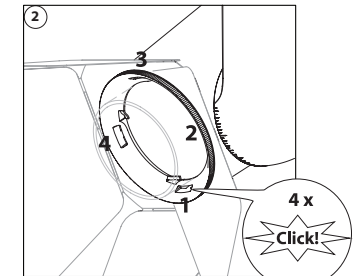
Druk krachtig aan, u dient een duidelijke 'klik' te horen.

Push firmly until you hear a clear 'Click' sound.



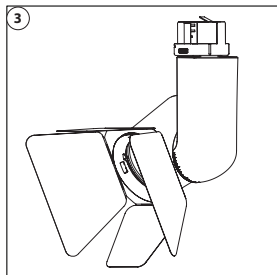
NL Plaats de accessoire houder met de 4 klikvingers in het midden van de montage gleuf op de Jade.

UK Place the accessory holder with the 4 click fingers in the middle of the mounting slot on the Jade.



Druk krachtig aan, u dient een duidelijke 'klik' te horen.

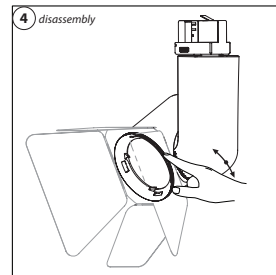
Push firmly until you hear a clear 'Click' sound.



Als u de barndoor wilt roteren voor een juiste positie, dient u dit met 1 hand te doen en met de andere hand de accessoire houder op zijn plaats te houden.

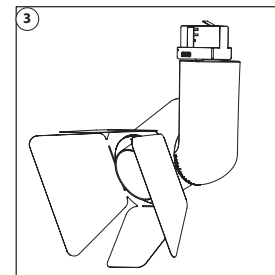
Doet u dit niet, dan kunt u de accessoire houder losklikken!

If you want to rotate the barndoor to find the desired position, you need to keep the accessory holder with one hand on its place.
If you don't do this you might release the accessory holder!



Verwijderen van de barndoor: draai de accessoire houder geheel naar links of naar rechts tot deze niet meer verder kan.

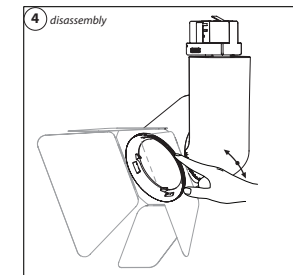
Removing the barndoor: rotate the accessory holder fully to the right or left, until you are not able to rotate it any further.



Als u de barndoor wilt roteren voor een juiste positie, dient u dit met 1 hand te doen en met de andere hand de accessoire houder op zijn plaats te houden.

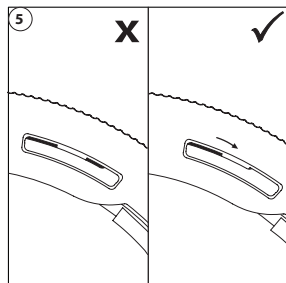
Doet u dit niet, dan kunt u de accessoire houder losklikken!

If you want to rotate the barndoor to find the desired position, you need to keep the accessory holder with one hand on its place.
If you don't do this you might release the accessory holder!



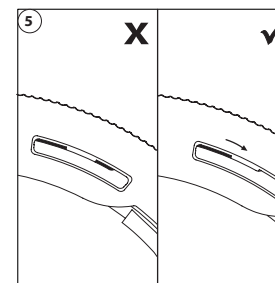
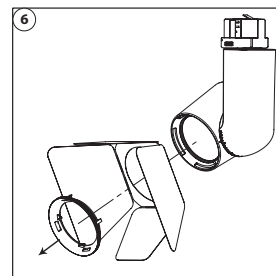
Verwijderen van de barndoor: draai de accessoire houder geheel naar links of naar rechts tot deze niet meer verder kan.

Removing the barndoor: rotate the accessory holder fully to the right or left, until you are not able to rotate it any further.



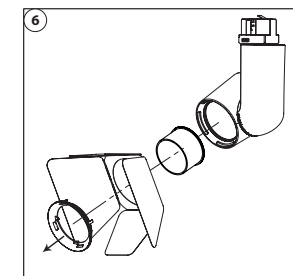
U voelt een weerstand en kunt nu de accessoire houder naar voren halen.

When you feel the resistance, pull the accessory holder out of the mountingslot.



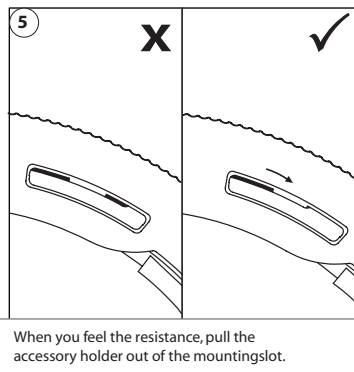
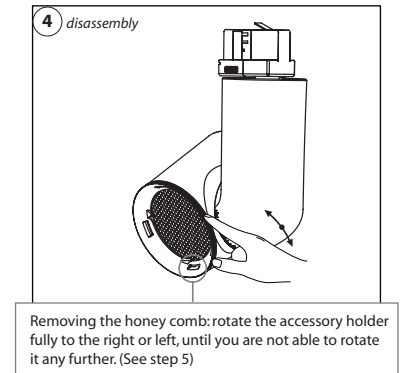
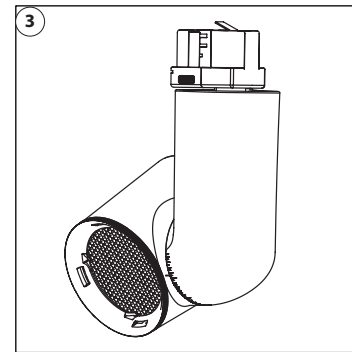
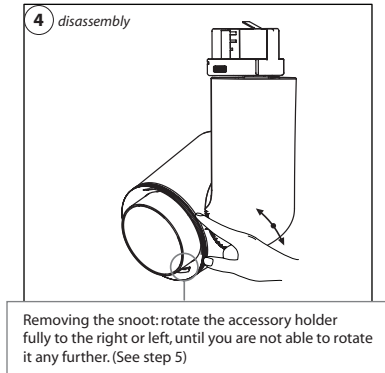
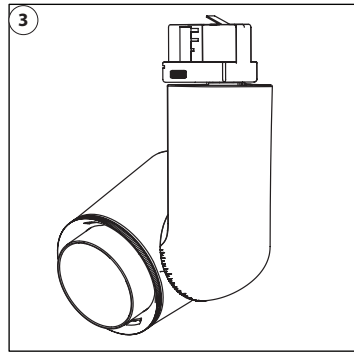
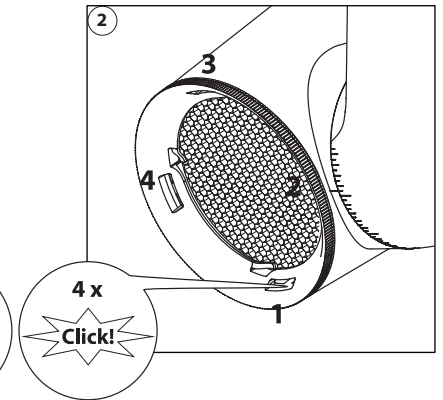
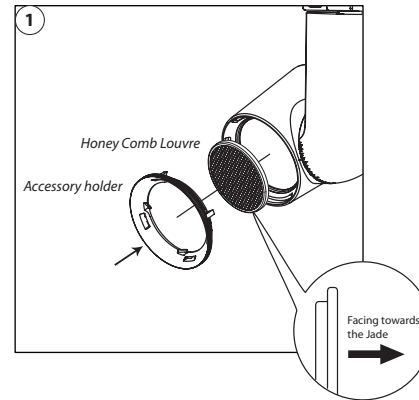
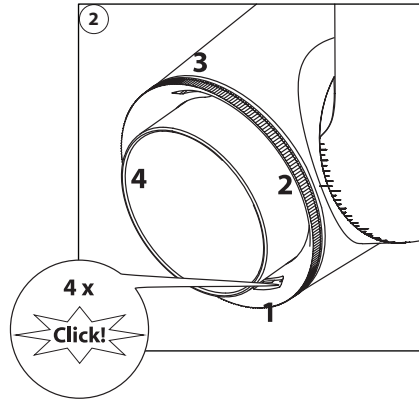
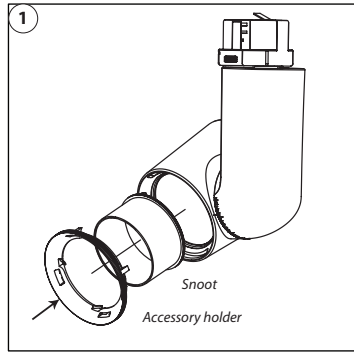
U voelt een weerstand en kunt nu de accessoire houder naar voren halen.

When you feel the resistance, pull the accessory holder out of the mountingslot.

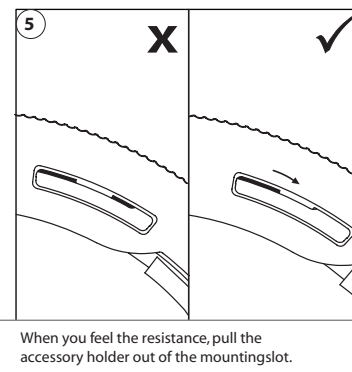
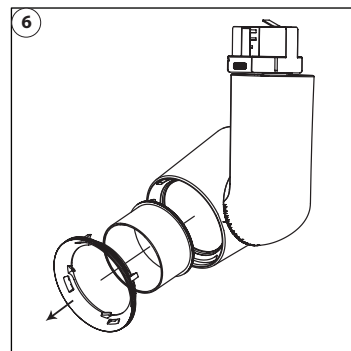


SNOOT / HALF SNOOT ASSEMBLY

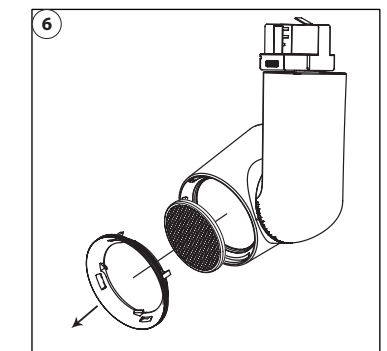
HONEY COMB LOUVRE ASSEMBLY



When you feel the resistance, pull the accessory holder out of the mounting slot.



When you feel the resistance, pull the accessory holder out of the mounting slot.



ACCESSORY COMBINATIONS

ACCESSORIES



Barndoor
Y106202-B
Y106202-W



Snoot
Y106200-B
Y106200-W



Half cut snoot
Y106201-B
Y106201-W

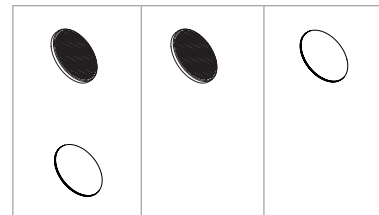
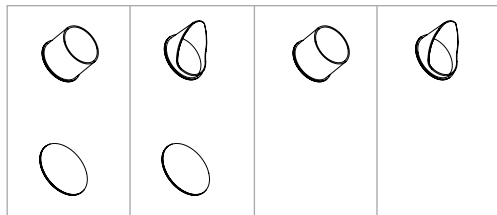
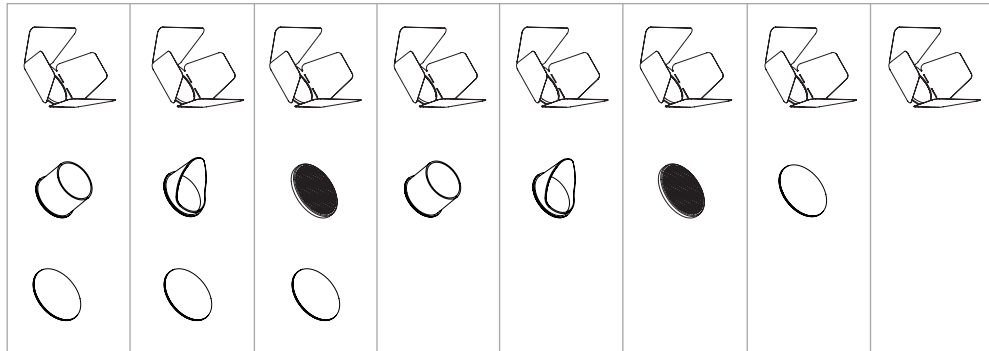


Beam shaper
Y106211 33°
Y106212 42°
Y106213 70°
Y106214 55x22°



Honey comb louvre
Y106215

Combinations



ACCESSORIES

- Y110855-G CLS 3-phase multi adapter grey XTSA 68
- Y110855-W CLS 3-phase multi adapter white XTSA 68
- Y110855-B CLS 3-phase multi adapter black XTSA 68
- Y110880 CLS T-connector grey for 3-phaserail, ground left
- Y110881 CLS T-connector black for 3-phaserail, ground left
- Y110882 CLS T-connector white for 3-phaserail, ground left
- Y110925 CLS 3-phase rail 1mtr aluminum XTS 4100
- Y110926 CLS Global 3-phase rail 2 metre aluminum XTS 4200
- Y110927 CLS Global 3-phase rail 2mtr black XTS 4200
- Y110928 CLS Global 3-phase rail 3mtr aluminum XTS 4300
- Y110929 CLS Global 3-phase rail 4mtr aluminum XTS 4100
- Y110930 CLS Global 3-phase rail 3mtr white XTS 4300
- Y110931 CLS Global 3-phase rail 3mtr black XTS 4300
- Y110932 CLS Global 3-phase rail 4mtr black XTS 4400
- Y110935 CLS end piece for 3-phase rail grey XTS 41
- Y110938 CLS end piece for 3-phase rail black XTS 41

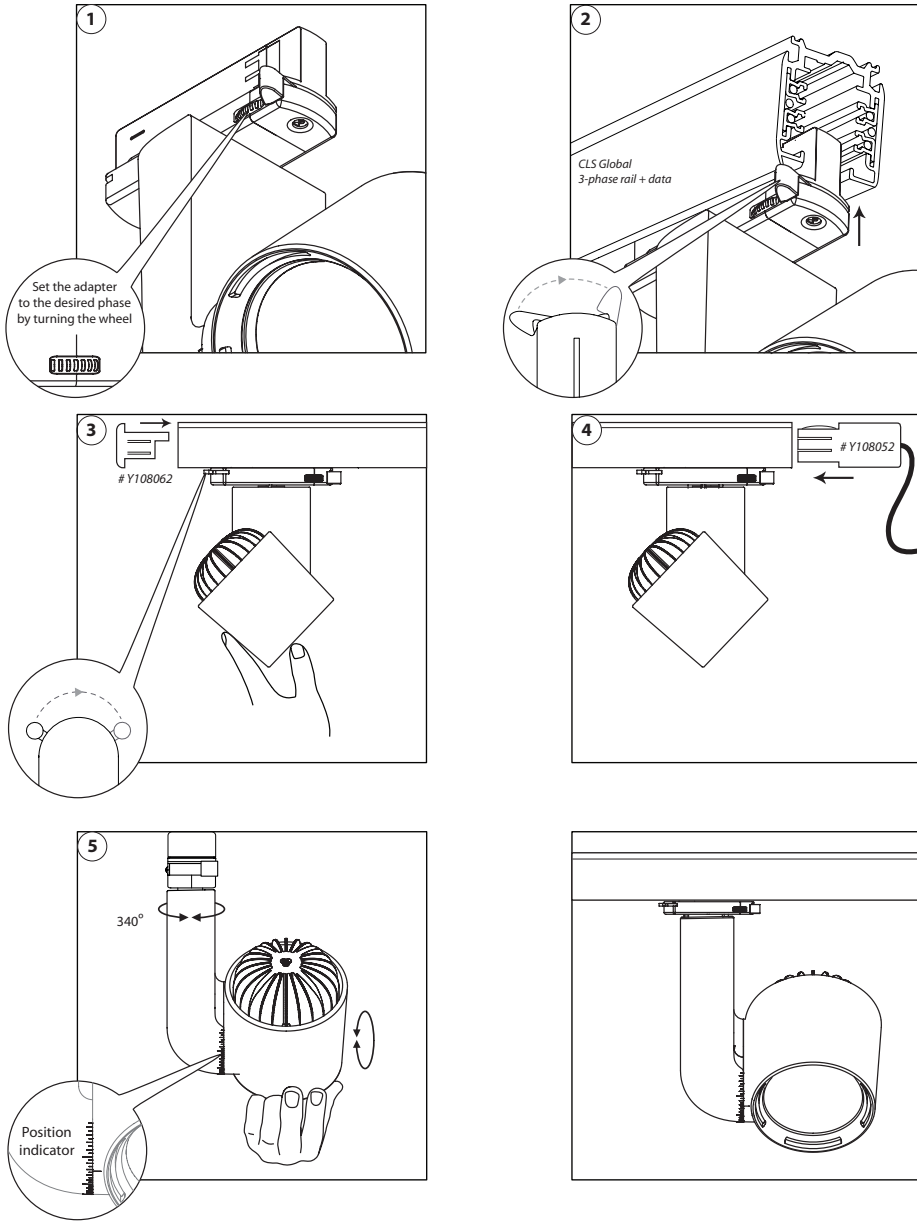
- Y110939 CLS end piece for 3-phase rail white XTS 41-3
- Y110945 CLS connection box for 3-phase rail, grey XTS 11
- Y110946 CLS connection box for 3-phase rail, grey XTS 12
- Y110950 CLS connection box for 3-phase rail black XTS 11
- Y110954 CLS L-connector grey for 3-faserail, ground left
- Y110955 CLS L-connector grey for 3-faserail, ground right
- Y110960 CLS connect piece gray (connect rail-rail) XTS
- Y110961 CLS connect piece white (connect rail-rail) XTS21
- Y110962 CLS connect piece black (connect rail-rail) XTS
- Y110965 CLS hanging bracke for 3-phase rail, grey SKB16
- Y110966 CLS hanging set, grey SKB12 with 1.5 mtr steel
- Y110970 CLS bending tool XTSV 12
- Y110980 CLS round mountingdisk GA70 grey
- Y110985 CLS round mountingdisk GA70 white
- Y110990 CLS round mountingdisk GA70 black

ACCESSORIES

- Y106200-B CLS Jade Expo Snoot, black
- Y106200-W CLS Jade Expo Snoot, white (black inside)
- Y106201-B CLS Jade Expo Half Snoot, black
- Y106201-W CLS Jade Expo Half Snoot, white (black inside)
- Y106202-B CLS Jade Expo Barndoor, black
- Y106202-W CLS Jade Expo Barndoor, white (black inside)
- Y106211 CLS Jade Expo Beam shaper 33°
- Y106212 CLS Jade Expo Beam shaper 42°
- Y106213 CLS Jade Expo Beam shaper 70°
- Y106214 CLS Jade Expo Beam shaper 55x22°
- Y106215 CLS Jade Expo Honey Comb louvre

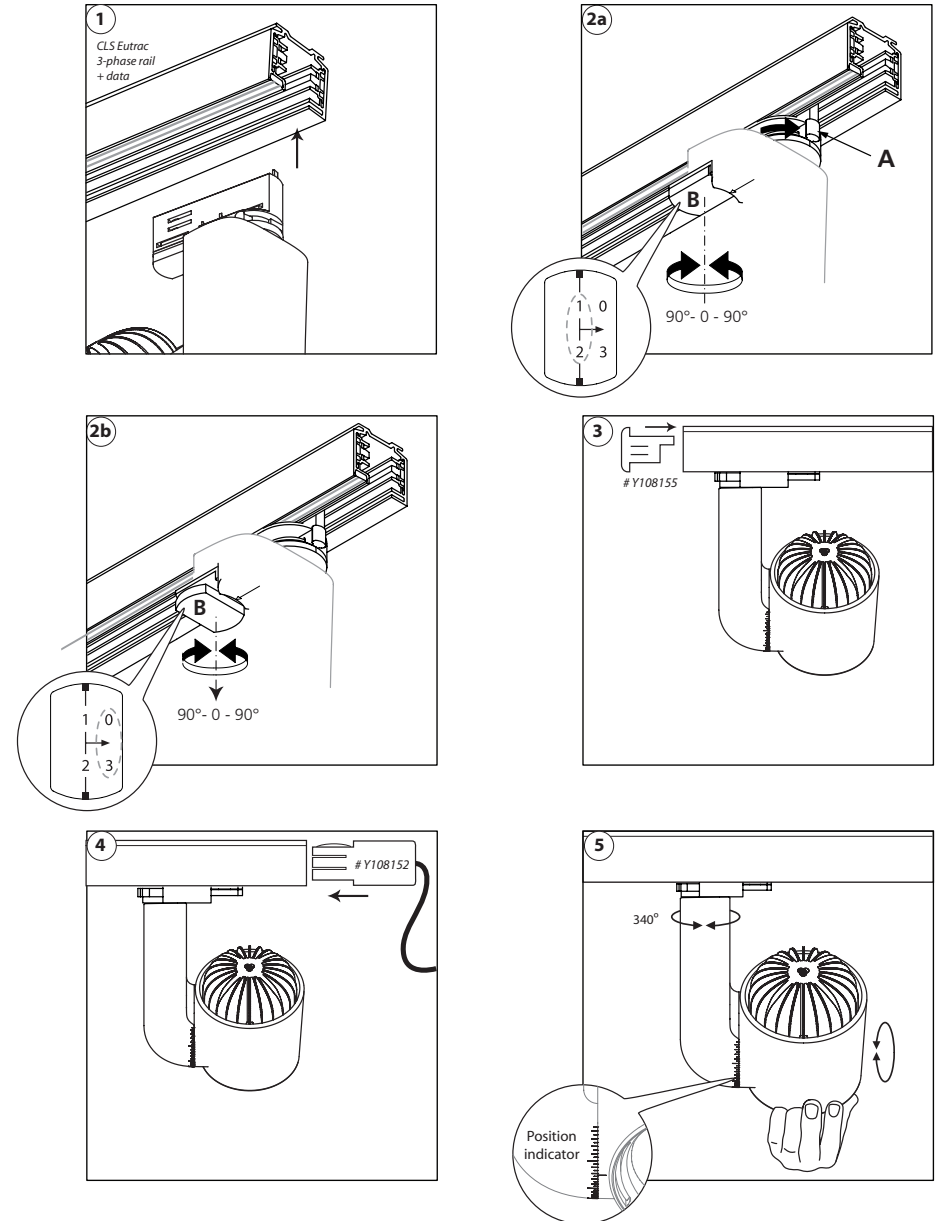
INSTALLATION DMX VERSION

WITH GLOBAL ADAPTER



INSTALLATION DMX VERSION

WITH EUTRAC ADAPTER

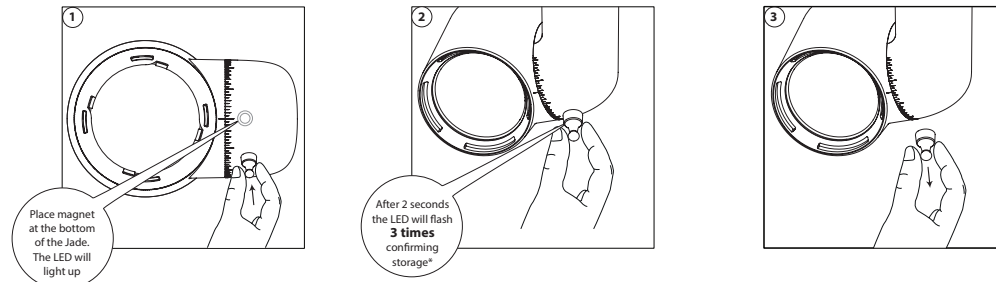


PROGRAMMING

All settings can be configured via DMX. Settings can be configured at once or separately. When one or a couple settings needs to be changed just leave all other setting values zero. This keeps those settings unchanged. Please check the table for more information.

Always use a DMX controller with digital interface. If not available, you can purchase the CLS D-ta DMX addresser unit (#122200).

First make sure to set the DATA on the DMX controller. To program the setting into the LED fixture follow the next steps.



* If the LEDs flashes 10 times, something went wrong. Please try again. If the problem continues to occur, please contact your local sales distributor.

WIRELESS DMX

See the Manual of Wireless Solutions. The Manual can be found on our CLS website, in the Downloads section. Or use the link below <https://www.cls-led.com/wp-content/uploads/cls-files/W-DMX-manual.pdf>

Unlink procedure

When the fixture does not receive a DMX signal (DMX controller off), place the magnet on the bottom of the fixture for 5 seconds. Slow flash indicates that the fixture is unlinked.

BLUETOOTH BY CASAMBI

For Casambi controlled fixtures, see the manual of Casambi. The Manual can be found on our CLS website, in the Downloads section. Or use the link below:

https://www.cls-led.com/wp-content/uploads/cls-products/CLS_CASAMBI/MANUAL/Manual_Casambi_controlsistem_EN.pdf

| LED colour | Number of DMX channels needed | | | |
|---------------|-------------------------------|---|---|---|
| | 1 | 2 | 3 | 4 |
| Single colour | ✓ | | | |
| Tunable White | | ✗ | | |
| ColourFlow | | | | ✗ |

PROGRAMMING TABLE

| PROGRAMMING TABLE | | | | |
|-------------------|--------------------------|---------|--------------------------------|---|
| DMX | Function | Data | Parameters | Description |
| CH1 | Set address 001 to 255 | 0 | 0 = no change * | Use this DMX channel to set address from 001 to 255. The configured DMX address is called "n" |
| | | 1...255 | DMX address = 1...255 | |
| CH2 | Set address 256 to 508 | 0 | no change | Use this DMX channel to set address from 256 to 508. The configured DMX address is called "n" |
| | | 1...255 | DMX address = 256...508 | |
| CH3 | Static behavior | 0 | no change | If no DMX is present the fixture will respond like set in this function. |
| | | 1 | last DMX value * | |
| | | 2 | output off | |
| | | 3 | load static values | |
| CH4 | Soft dim | 0 | no change | When dynamic softdim is activated an extra DMX channel behind the colours and/or Master controls the soft dim reaction. If fixed no extra DMX channel is used. |
| | | 1 | off * | |
| | | 2 | dynamic | |
| | | 3-250 | fixed interpolation delay | |
| CH5 | Master control | 0 | no change | If master is first channel is selected the channel will be DMX channel "n". If master is last channel is selected the channel will be "n+x" ("x" is calculated in the output patch). |
| | | 1 | no master used * | |
| | | 2 | master is first channel | |
| | | 3 | master is last channel | |
| CH6 | Output 1 patch | 0 | no change | Each output channel can be patched to respond to the desired DMX channel. This enables the user to mix up the colours according to the controller that is used. |
| | | 1 | DMX channel n | |
| | | 2 | DMX channel n+1 | |
| | | 3 | DMX channel n+2 | |
| | | 4 | DMX channel n+3 | |
| CH7 | Output 2 patch | 0 | no change | Example: all outputs are patched as 1 All outputs will be controlled by DMX channel "n". If master is used total DMX channels will be 2 otherwise it uses 1 channel ("x" = 1). |
| | | 1 | DMX channel n | |
| | | 2 | DMX channel n+1 | |
| | | 3 | DMX channel n+2 | |
| | | 4 | DMX channel n+3 | |
| CH8 | Output 3 patch | 0 | no change | Example: output 1&2 are patched as 1 and 3&4 are patched as 2 Output 1&2 will be controlled by DMX channel "n". Output 3&4 will be controlled by DMX channel "n+1". If master is used total DMX channels will be 3 otherwise it uses 2 channels ("x" = 2). |
| | | 1 | DMX channel n | |
| | | 2 | DMX channel n+1 | |
| | | 3 | DMX channel n+2 | |
| | | 4 | DMX channel n+3 | |
| CH9 | Output 4 patch | 0 | no change | If master is used total DMX channels will be 3 otherwise it uses 2 channels ("x" = 2). |
| | | 1 | DMX channel n | |
| | | 2 | DMX channel n+1 | |
| | | 3 | DMX channel n+2 | |
| | | 4 | DMX channel n+3 | |
| CH10 | Static output 1 | 0 | no change | Each output channel can be set to a static intensity. |
| | | 1 | output off | |
| CH11 | Static output 2 | 2...255 | intensity 2...255 *(255) | If no DMX is present and Static behavior is set to "load static values". The outputs will be set to the configured intensity values. |
| | | 0 | no change | |
| CH12 | Static output 3 | 1 | output off | |
| | | 2...255 | intensity 2...255 *(255) | |
| CH13 | Static output 4 | 0 | no change | |
| | | 1 | output off | |
| CH14 | Load default settings | 2...255 | intensity 2...255 *(255) | |
| | | 0 | no change | |
| CH15 | Input Resolution setting | 1 | load Factory settings | This function resets all settings to the Factory setting. |
| | | 0 | no change | |
| CH16 | Drive mode setting | 1 | 8 bit * | In 16 bit mode 2 channels are used per colour. First channel is rough channel, second channel fine. 16 bit mode is only available in DRIVE mode 2. |
| | | 2 | 16 bit | |
| CH16 | Drive mode setting | 0 | no change | You can set the frequency of the PWM for best compatibility with Camera Systems. However, the highest resolution of the dimming curve will be at the lowest frequency. Option 1 can be used to be compatible with older installation and new fixtures. |
| | | 1 | compatible with version < 2020 | |
| | | 2 | PWM frequency 0.7kHz * | |
| | | 3 | PWM frequency 1.4kHz | |
| | | 4 | PWM frequency 2.8kHz | |
| 5 | PWM frequency 5.6kHz | | | |

* Default setting

ACCESSORIES

ACCESSORIES Global

Global - black

| | |
|-----------|--|
| Y108501-B | CLS Global 3-phase rail + data 1 meter black |
| Y108502-B | CLS Global 3-phase rail + data 2 meter black |
| Y108503-B | CLS Global 3-phase rail + data 3 meter black |
| Y108504-B | CLS Global 3-phase rail + data 4 meter black |
| Y108511-B | CLS Global 3-phase rail + data end feed right, black |
| Y108512-B | CLS Global 3-phase rail + data end feed left, black |
| Y108513-B | CLS Global 3-phase rail + data middle feed black |
| Y108515-B | CLS Global 3-phase rail + data L-coupler inner black |
| Y108516-B | CLS Global 3-phase rail + data L-coupler outer black |
| Y110938 | CLS Global 3-phase rail + data end cap black |

Global - grey

| | |
|-----------|---|
| Y108501-G | CLS Global 3-phase rail + data 1 meter grey |
| Y108502-G | CLS Global 3-phase rail + data 2 meter grey |
| Y108503-G | CLS Global 3-phase rail + data 3 meter grey |
| Y108504-G | CLS Global 3-phase rail + data 4 meter grey |
| Y108511-G | CLS Global 3-phase rail + data end feed right, grey |
| Y108512-G | CLS Global 3-phase rail + data end feed left, grey |
| Y108513-G | CLS Global 3-phase rail + data middle feed grey |
| Y108515-G | CLS Global 3-phase rail + data L-coupler inner grey |
| Y108516-G | CLS Global 3-phase rail + data L-coupler outer grey |
| Y110935 | CLS Global 3-phase rail + data end cap grey |

2024 CLS-LED BV. All rights reserved. Information subject to change without notice, CLS-LED BV and all affiliated companies disclaim liability for injury, damage direct or indirect loss, consequential or economic loss or any other loss occasioned by the use of, inability to use or reliance on the information contained in this manual. No part of this manual may be reproduced, in any form or by any means, without permission in writing from CLS-LED BV. Other legal information can be found in our General conditions, found on the back of your CLS-LED BV invoice, inside the CLS catalogue or on our website www.cls-led.com/General-Terms.pdf

LIST OF SYMBOLS

| | | | |
|--|--|--|--|
| | Protection class One, two or three | | Retail & Food LED modules Clothing, furniture, kitchens, jewellery, shoes, bread, meat, fish and vegetables & fruit. |
| | Application area Indoor or outdoor | | Colour Available colours: Amber, blue, red or green |
| | Application area Floor, wall or ceiling | | White colour temperature In different Kelvin values. Cold white, neutral white, warm white or extra warm white |
| | Swivel Fixture is horizontally rotatable, indicated in degrees | | Curve Minimal bending curve in centimeters |
| | Swivel Fixture is vertically rotatable, indicated in degrees | | Cutting length Indicated by the cutting marks |
| | Multiple connection Daisychain connectivity | | LED pitch Pitch between the LEDs in millimeters |
| | Installation depth In centimeters | | Power supply In VDC, VAC or milliAmpere |
| | Installation size In centimeters | | Power consumption In VA or Watt |
| | Cable length Maximum cable attached to the fixture in centimeters | | Dimmable 1-10 Volt, Phase, individual, DMX dimmable or DALI |
| | Driver Inclusive or exclusive Internal or external | | PWM dimming Traditional PWM dimming, DMX analog or DMX Hybrid dim |
| | Weight In grams/kilograms | | Bluetooth controlled By Casambi |
| | Pressure Maximum pressure on the fixture in kg/cm ² | | Magno dimming Accurate dimming from 100 - 1% by using a magnet |
| | Lifespan Of the light source in hours | | Dynamic Control Dynamic Power Control or Dynamic Temperature Control |
| | Lenses Available lenses, indicated in degrees | | DMX input Fixture works on DMX512 protocol or Wireless DMX |
| | Performance Zoom Adjustable beam angle | | Combined product Compose your own fixture |
| | LEDs Kind of LED used in the fixture | | Warranty 3 or 5 years warranty on the product |
| | Plug & play Easy connection using the SmartConnect system | | Conformité Européenne CE marking for free marketability of industrial goods within the EU |
| | IP value Ingress Protection classifies the degrees of protection provided against the intrusion of the product | | Energy label |
| | Colour changing RGB, RGB-W, RGB-A, AWB or Tunable White | | Lightsource Equipped with a CLS, Bridgelux or a Xicato LED module |