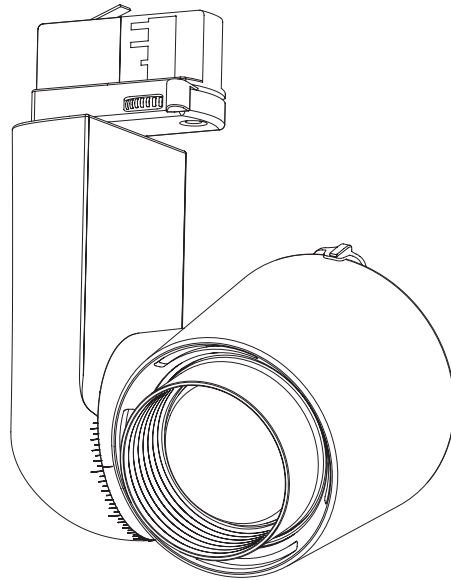


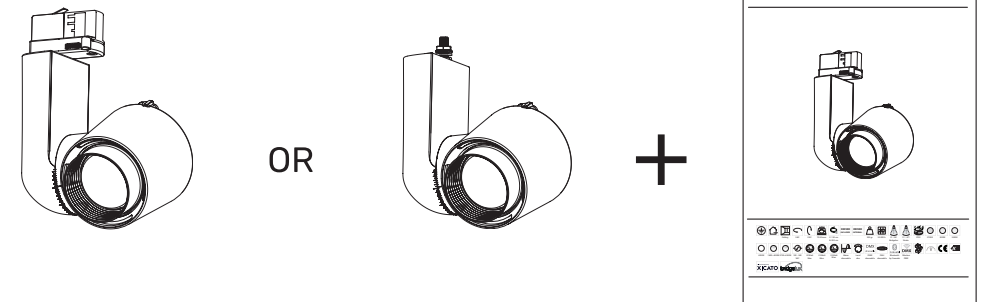
Index	2	Installation Jade B Zoom	5	Wireless DMX	9
Safety information	2	Accessory assembly	6	Bluetooth by Casambi	9
Content	2	Snoot assembly	7	Programming table	10
Technical	3	Accessories	8	Factory settings	10
Specifications	3	Accessory overview	8	List of symbols	11
Installation Jade Zoom	4	Programming	9		



## SAFETY INFORMATION

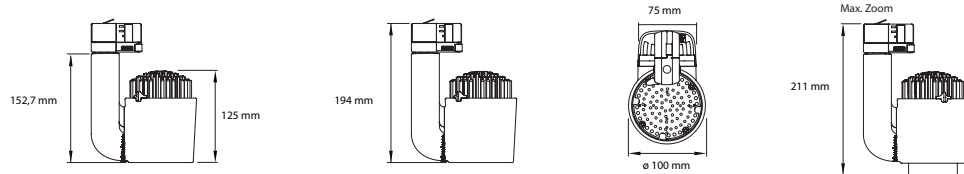
Make sure all connectors are connected properly	Use a source of AC power that complies with local electrical codes	Block access below the work area when maintaining the unit	Don't modify or install genuine parts on this product	Warning! Some surfaces can be hot

## CONTENT

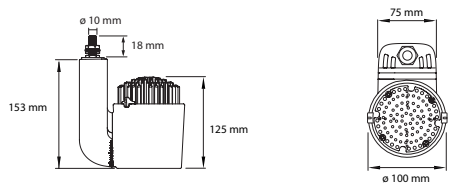



LIGHTSOURCE BY **XICATO** **bridgelux**

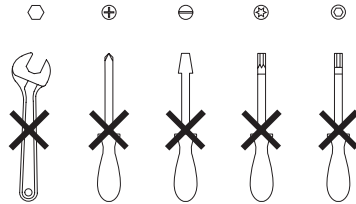
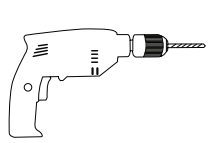
## Jade Zoom



## Jade B Zoom

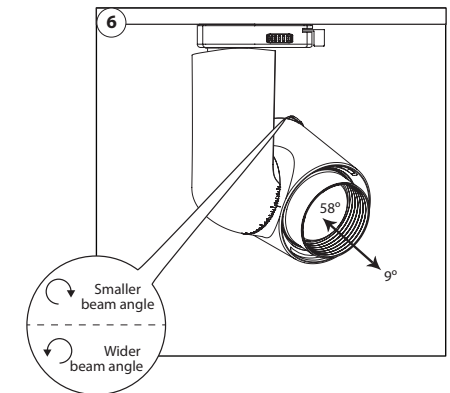
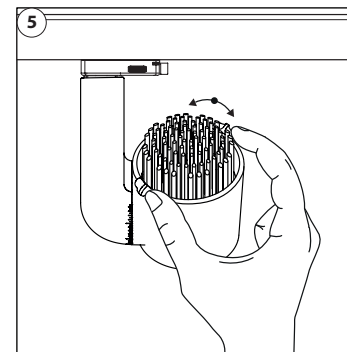
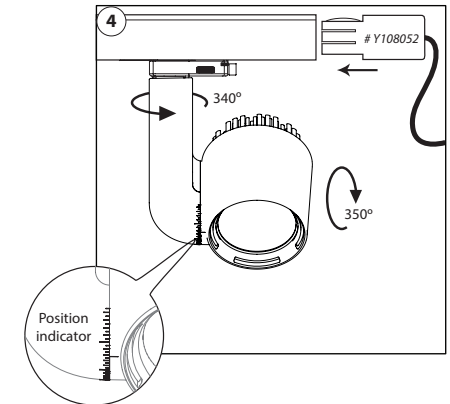
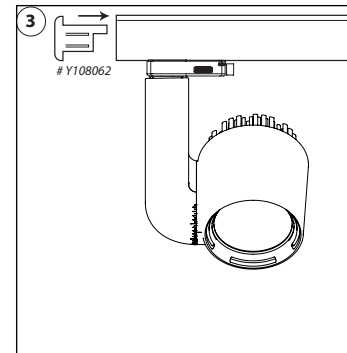
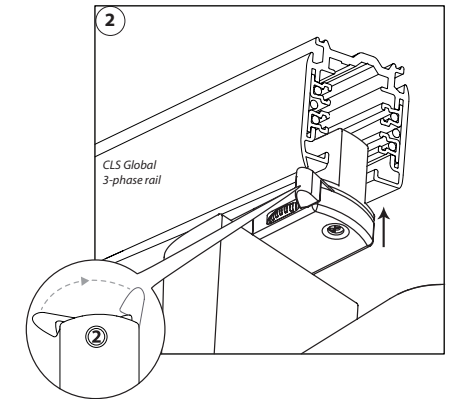
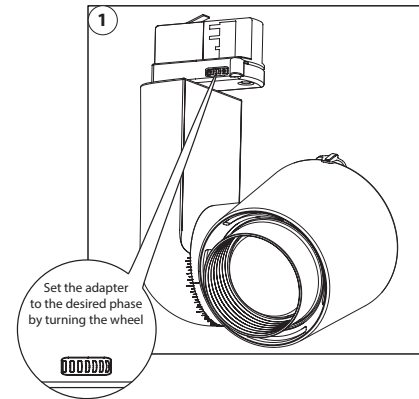


## Tools



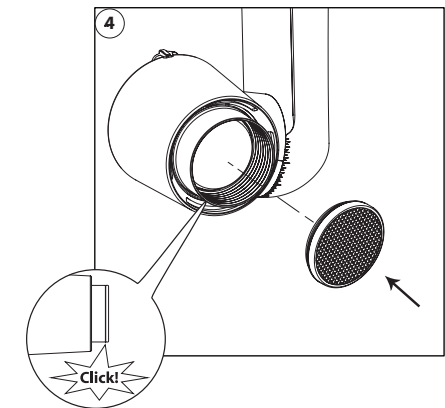
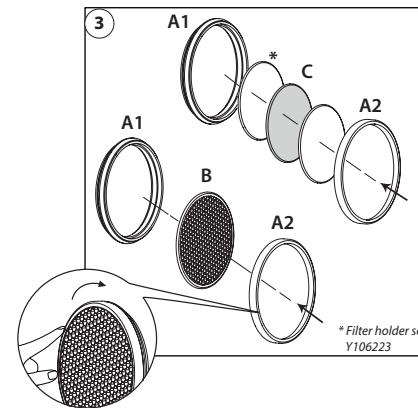
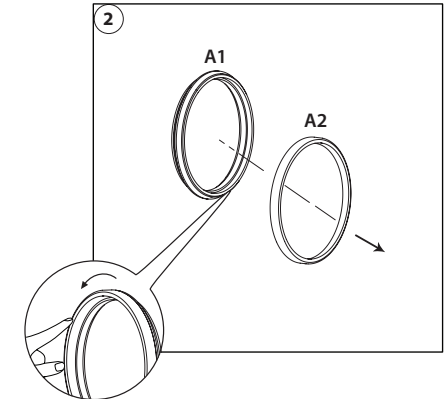
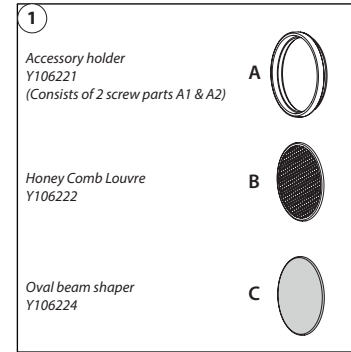
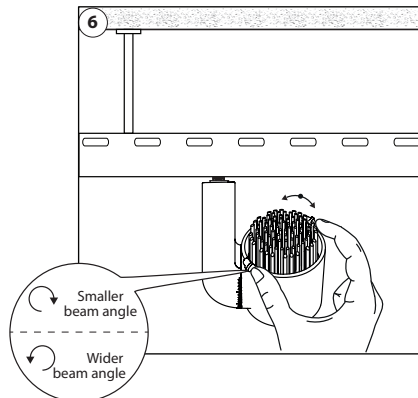
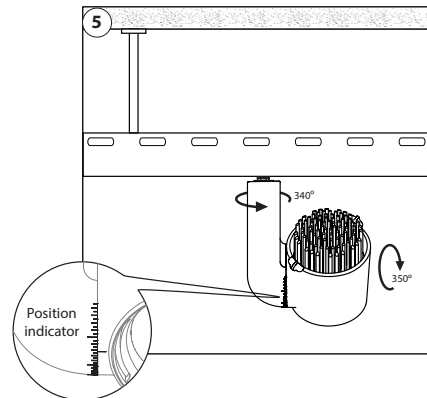
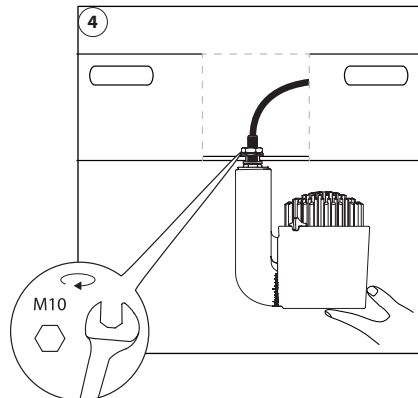
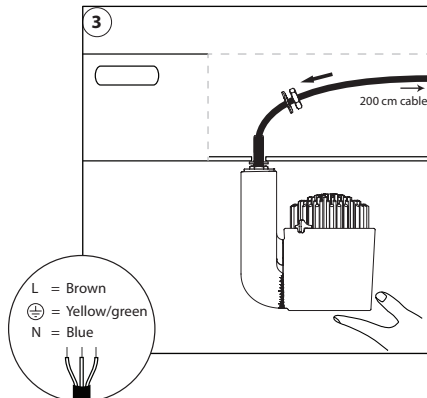
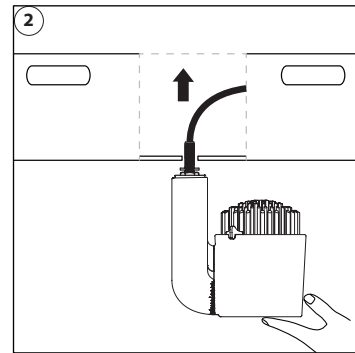
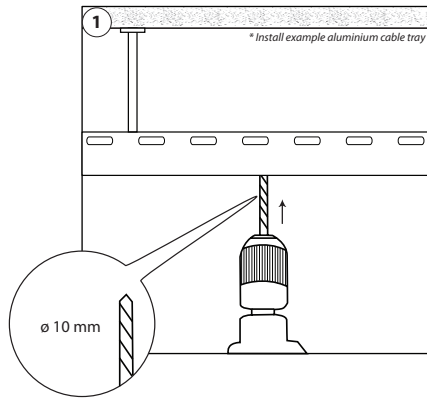
## SPECIFICATIONS

LED:	Bridgelux or Xicato
Available colours:	Bridgelux: CRI>90/CRI>98 : 2700K, 3000K, 3500K & 4000K Xicato: CRI>98 : 2700K, 3000K, 3500K & 4000K
Tunable White:	Bridgelux CRI>98 : 1800K-4000K, 2700K-6500K
Beam angle:	Bridgelux : 9° - 58° Xicato : 11° - 67°
Power supply:	100 - 240 VAC
Power consumption:	Max. 22, 25 or 35 Watt
Housing:	Black, grey or white PC (PC-ABS V0) Heatsink black or white coated aluminium
Weight:	925 gram
IP value:	IP20
Measurements:	152.7 x 100 x 100 mm (h x w x d)
Ambient temperature:	-10° C till +40° C



# INSTALLATION JADE B ZOOM

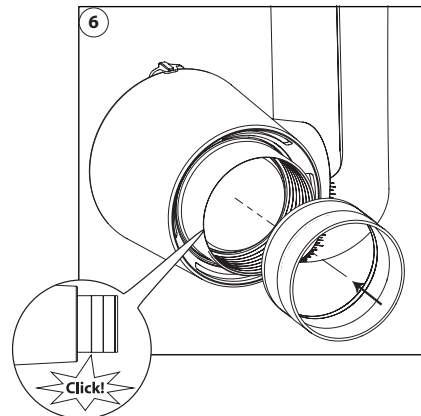
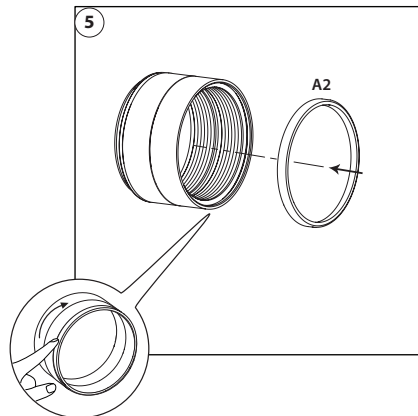
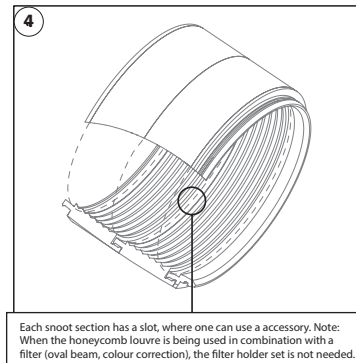
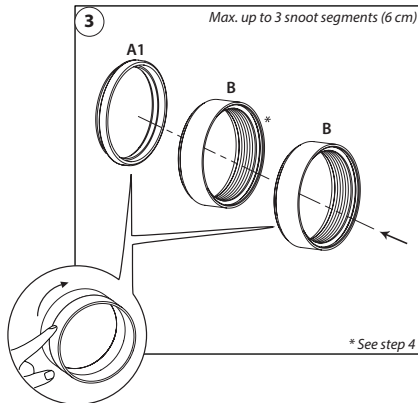
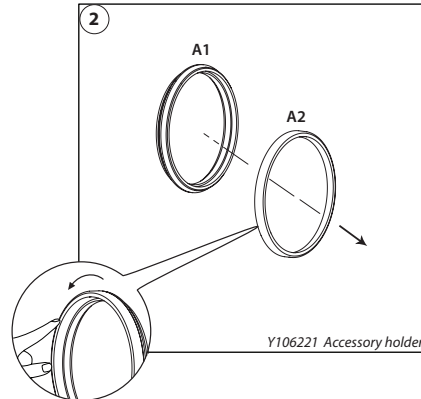
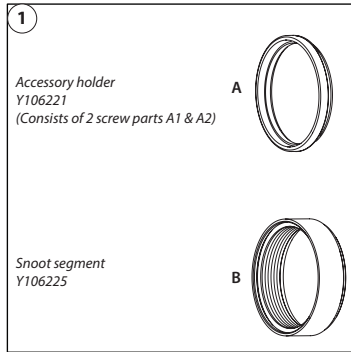
# ACCESSORY ASSEMBLY



2024 CLS-LED BV. All rights reserved. Information subject to change without notice. CLS-LED BV and all affiliated companies disclaim liability for injury, damage direct or indirect loss, consequential or economic loss or any other loss occasioned by the use of, inability to use or reliance on the information contained in this manual. No part of this manual may be reproduced, in any form or by any means, without permission in writing from CLS-LED BV. Other legal information can be found in our General conditions, found on the back of your CLS-LED BV invoice, inside the CLS catalogue or on our website [www.cls-led.com/General-Terms.pdf](http://www.cls-led.com/General-Terms.pdf)

# SNOOT ASSEMBLY

# ACCESSORIES



## ACCESSORIES

- Y110855 CLS 3-phase multi adapter grey X TSA 68
- Y110865 CLS 3-phase multi adapter white X TSA 68
- Y110875 CLS 3-phase multi adapter black X TSA 68
- Y110880 CLS T-connector grey for 3-phaserail, ground left
- Y110881 CLS T-connector black for 3-phaserail, ground left
- Y110882 CLS T-connector white for 3-phaserail, ground left
- Y110925 CLS 3-phase rail 1mtr aluminum X TS 4100
- Y110926 CLS Global 3-phase rail 2 metre aluminum X TS 4200
- Y110927 CLS Global 3-phase rail 2mtr black X TS 4200
- Y110928 CLS Global 3-phase rail 3mtr aluminum X TS 4300
- Y110929 CLS Global 3-phase rail 4mtr aluminum X TS 4100
- Y110930 CLS Global 3-phase rail 3mtr white X TS 4300
- Y110931 CLS Global 3-phase rail 3mtr black X TS 4300
- Y110932 CLS Global 3-phase rail 4mtr black X TS 4400
- Y110935 CLS end piece for 3-phase rail grey X TS 41
- Y110938 CLS end piece for 3-phase rail black X TS 41
- Y110939 CLS end piece for 3-phase rail white X TS 41-3
- Y110945 CLS connection box for 3-phase rail, grey X TS 11
- Y110946 CLS connection box for 3-phase rail, grey X TS 12
- Y110950 CLS connection box for 3-phase rail black X TS 11

- Y110954 CLS L-connector grey for 3-faserail, ground left
- Y110955 CLS L-connector grey for 3-faserail, ground right
- Y110960 CLS connect piece gray (connect rail-rail) X TS
- Y110961 CLS connect piece white (connect rail-rail) X TS21
- Y110962 CLS connect piece black (connect rail-rail) X TS
- Y110965 CLS hanging bracke for 3-phase rail, grey SKB16
- Y110966 CLS hanging set, grey SKB12 with 1.5 mtr steel
- Y110970 CLS bending tool X TSV 12
- Y110980 CLS round mountingdisk GA70 grey
- Y110985 CLS round mountingdisk GA70 white
- Y110990 CLS round mountingdisk GA70 black
- Y106149-B Accessory ring Black
- Y106149-W Accessory ring White
- Y106202-B-1 CLS Jade Zoom Barndoor, black
- Y106202-W-1 CLS Jade Zoom Barndoor, white (black inside)
- Y106221 Accessory holder
- Y106222 Honeycomb Louvre
- Y106223 Filter holder set
- Y106224 Oval beam shaper
- Y106225 Snoot segment, 2 cm
- Y106226 CLS Jade Zoom Super Spot Set

## Accessory Overview

Choose your accessory on the left, you need the items marked with the ✓ \*

	Y106221	Y106202-X-1	Y106222	Y106225	Y106223	Y106224
Barndoor		✓				
Honeycomb	✓		✓			
Snoot	✓			✓		
Filter set	✓				✓	
Oval Beam set	✓				✓	✓

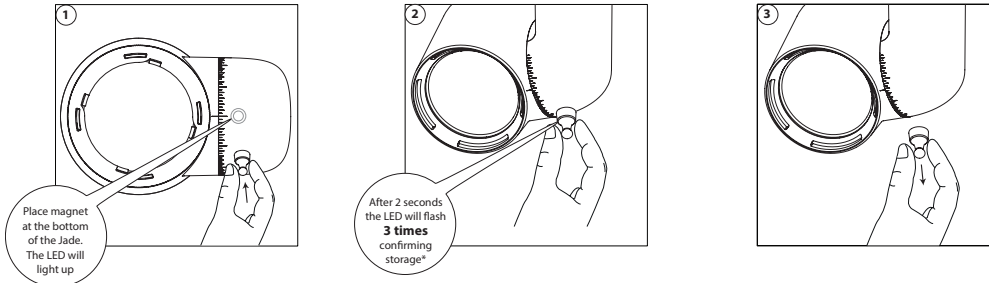
\*All accessories can be combined together

# PROGRAMMING

All settings can be configured via DMX. Settings can be configured at once or separately. When one or a couple settings needs to be changed just leave all other setting values zero. This keeps those settings unchanged. Please check the table for more information.

Always use a DMX controller with digital interface. If not available, you can purchase the CLS D-ta DMX addresser unit (#122200).

First make sure to set the DATA on the DMX controller. To program the setting into the LED fixture follow the next steps.



\* If the LEDs flashes **10 times**, something went wrong. Please try again. If the problem continues to occur, please contact your local sales distributor.

## WIRELESS DMX

See the Manual of Wireless Solutions. The Manual can be found on our CLS website, in the Downloads section. Or use the link below <https://www.cls-led.com/wp-content/uploads/cls-files/w-DMX-manual.pdf>

### Unlink procedure

When the fixture does not receive a DMX signal (DMX controller off), place the magnet on the bottom of the fixture for 5 seconds. Slow flash indicates that the fixture is unlinked.

## BLUETOOTH BY CASAMBI

For Casambi controlled fixtures, see the manual of Casambi. The Manual can be found on our CLS website, in the Downloads section. Or use the link below:

[https://www.cls-led.com/wp-content/uploads/cls-products/CLS\\_CASAMBI/MANUAL/Manual\\_Casambi\\_controlsistem\\_EN.pdf](https://www.cls-led.com/wp-content/uploads/cls-products/CLS_CASAMBI/MANUAL/Manual_Casambi_controlsistem_EN.pdf)

# PROGRAMMING TABLE

PROGRAMMING TABLE				
DMX	Function	Data	Parameters	Description
CH1	Set address 001 to 255	0	0 = no change *	Use this DMX channel to set address from 001 to 255. The configured DMX address is called "n"
		1...255	DMX address = 1...255	
CH2	Set address 256 to 508	0	no change	Use this DMX channel to set address from 256 to 508. The configured DMX address is called "n"
		1...255	DMX address = 256...508	
CH3	Static behavior	0	no change	If no DMX is present the fixture will respond like set in this function.
		1	last DMX value *	
		2	output off	
		3	load static values	
CH4	Soft dim	0	no change	When dynamic softdim is activated an extra DMX channel behind the colours and/or Master controls the soft dim reaction. If fixed no extra DMX channel is used.
		1	off *	
		2	dynamic	
		3-250	fixed interpolation delay	
CH5	Master control	0	no change	If master is first channel is selected the channel will be DMX channel "n". If master is last channel is selected the channel will be "n+x" ("x" is calculated in the output patch).
		1	no master used *	
		2	master is first channel	
		3	master is last channel	
CH6	Output 1 patch	0	no change	Each output channel can be patched to respond to the desired DMX channel. This enables the user to mix up the colours according to the controller that is used.
		1	DMX channel n	
		2	DMX channel n+1	
		3	DMX channel n+2	
		4	DMX channel n+3	
CH7	Output 2 patch	0	no change	<b>Example: all outputs are patched as 1</b> All outputs will be controlled by DMX channel "n". If master is used total DMX channels will be 2 otherwise it uses 1 channel ("x" = 1).
		1	DMX channel n	
		2	DMX channel n+1	
		3	DMX channel n+2	
		4	DMX channel n+3	
CH8	Output 3 patch	0	no change	<b>Example: output 1&amp;2 are patched as 1 and 3&amp;4 are patched as 2</b> Output 1&2 will be controlled by DMX channel "n". Output 3&4 will be controlled by DMX channel "n+1". If master is used total DMX channels will be 3 otherwise it uses 2 channels ("x" = 2).
		1	DMX channel n	
		2	DMX channel n+1	
		3	DMX channel n+2	
		4	DMX channel n+3	
CH9	Output 4 patch	0	no change	
		1	DMX channel n	
		2	DMX channel n+1	
		3	DMX channel n+2	
		4	DMX channel n+3	
CH10	Static output 1	0	no change	Each output channel can be set to a static intensity.
		1	output off	
		2...255	intensity 2...255 *(255)	
CH11	Static output 2	0	no change	If no DMX is present and Static behavior is set to "load static values". The outputs will be set to the configured intensity values.
		1	output off	
		2...255	intensity 2...255 *(255)	
CH12	Static output 3	0	no change	
		1	output off	
		2...255	intensity 2...255 *(255)	
CH13	Static output 4	0	no change	
		1	output off	
		2...255	intensity 2...255 *(255)	
CH14	Load default settings	0	no change	This function resets all settings to the Factory setting.
		1	load Factory settings	
CH15	Input Resolution setting	0	no change	In 16 bit mode 2 channels are used per colour. First channel is rough channel, second channel fine. 16 bit mode is only available in DRIVE mode 2.
		1	8 bit *	
		2	16 bit	
CH16	Drive mode setting	0	no change	You can set the frequency of the PWM for best compatibility with Camera Systems. However, the highest resolution of the dimming curve will be at the lowest frequency. Option 1 can be used to be compatible with older installation and new fixtures.
		1	compatible with version < 2020	
		2	PWM frequency 0.7kHz *	
		3	PWM frequency 1.4kHz	
		4	PWM frequency 2.8kHz	
5	PWM frequency 5.6kHz			

\* Default setting

# LIST OF SYMBOLS

	<b>Protection class</b> One, two or three		<b>Retail &amp; Food LED modules</b> Clothing, furniture, kitchens, jewellery, shoes, bread, meat, fish and vegetables & fruit.
	<b>Application area</b> Indoor or outdoor		
	<b>Application area</b> Floor, wall or ceiling		<b>Colour</b> Available colours: Amber, blue, red or green
	<b>Swivel</b> Fixture is horizontally rotatable, indicated in degrees		<b>White colour temperature</b> In different Kelvin values: Cold white, neutral white, warm white or extra warm white
	<b>Swivel</b> Fixture is vertically rotatable, indicated in degrees		<b>Curve</b> Minimal bending curve in centimeters
	<b>Multiple connection</b> Daisychain connectivity		<b>Cutting length</b> Indicated by the cutting marks
	<b>Installation depth</b> In centimeters		<b>LED pitch</b> Pitch between the LEDs in millimeters
	<b>Installation size</b> In centimeters		<b>Power supply</b> In VDC, VAC or milliAmpere
	<b>Cable length</b> Maximum cable attached to the fixture in centimeters		<b>Power consumption</b> In VA or Watt
	<b>Driver</b> Inclusive or exclusive Internal or external		<b>Dimmable</b> 1-10 Volt, Phase, individual, DMX dimmable or DALI
	<b>Weight</b> In grams/kilograms		<b>PWM dimming</b> Traditional PWM dimming, DMX analog or DMX Hybrid dim
	<b>Pressure</b> Maximum pressure on the fixture in kg/cm <sup>2</sup>		<b>Bluetooth controlled</b> By Casambi
	<b>Lifespan</b> Of the light source in hours		<b>Magne dimming</b> Accurate dimming from 100 - 1% by using a magnet
	<b>Lenses</b> Available lenses, indicated in degrees		<b>Dynamic Control</b> Dynamic Power Control or Dynamic Temperature Control
	<b>Performance Zoom</b> Adjustable beam angle		<b>DMX input</b> Fixture works on DMX512 protocol or Wireless DMX
	<b>LEDs</b> Kind of LED used in the fixture		<b>Combined product</b> Compose your own fixture
	<b>Plug &amp; play</b> Easy connection using the SmartConnect system		<b>Warranty</b> 3 or 5 years warranty on the product
	<b>IP value</b> Ingress Protection classifies the degrees of protection provided against the intrusion of the product		<b>Conformité Européenne</b> CE marking for free marketability of industrial goods within the EU
	<b>Colour changing</b> RGB, RGB-W, RGB-A, AWB or Tunable White		<b>Energy label</b>
			<b>Lightsource</b> Equipped with a CLS, Bridgelux or a Xicato LED module