

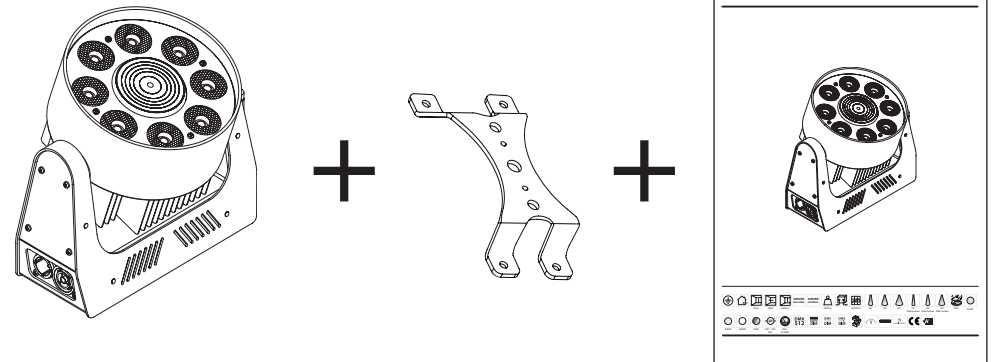
Index 2
 Safety information 2
 Content 2
 Technical 3
 Specifications 3

Installation 4
 Honeycomb assembly 5
 Programming 6
 Factory setting table 6
 Programming table 7
 List of Symbols 8

SAFETY INFORMATION

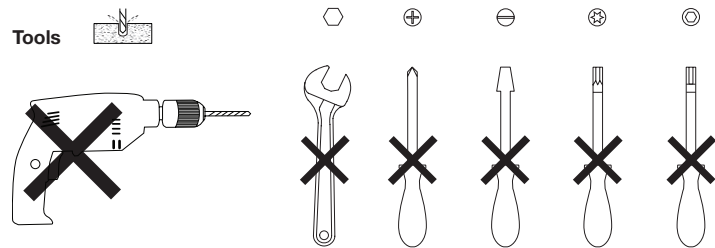
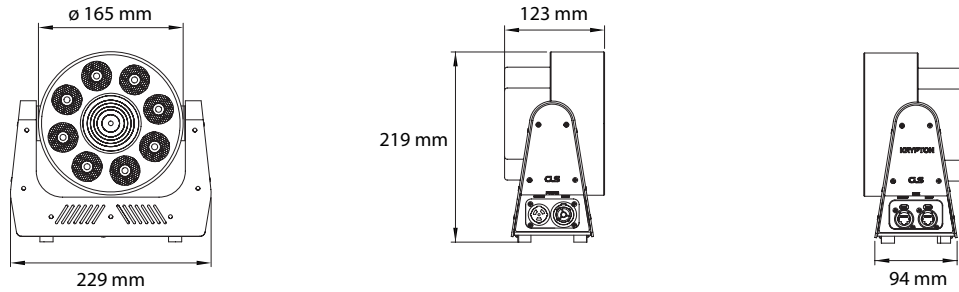
<p>Make sure all connectors are connected properly</p>	<p>Use a source of AC power that complies to local electrical codes</p>	<p>Block access below the work area when maintaining the unit</p>	<p>Don't modify or install genuine parts on this product</p>	<p>Don't install in a flammable or explosive area</p>	<p>Warning! Some surfaces can be hot</p>

CONTENT



				DRIVER INCLUDED	DRIVER INTERNAL								
3000K	4000K	RGB	100-240 VAC	Max. 93 Watt	DMX 512	DYNAMIC DIM	DMX DIM	DMX DIM		CITIZEN	LUMILEDS		

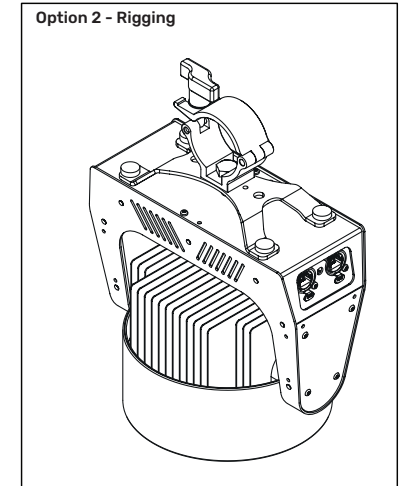
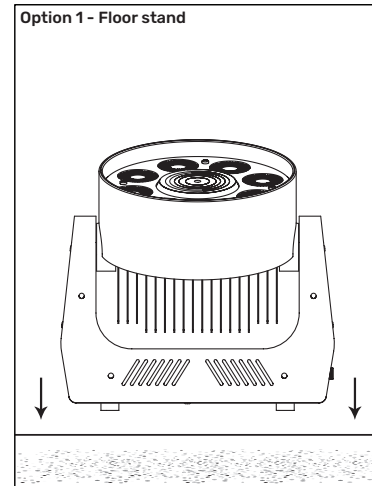
TECHNICAL



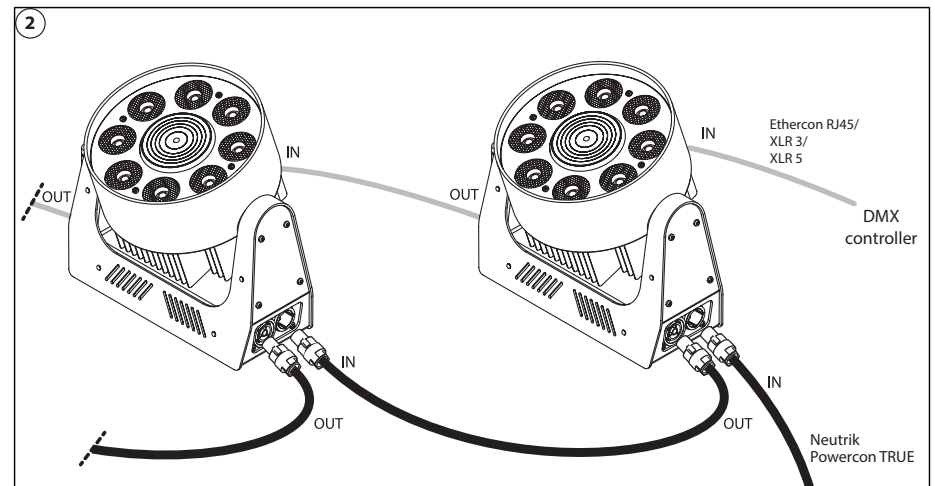
SPECIFICATIONS

LED:	High Power LEDs
Available colours:	CRI=80: 2700K, 3000K, 4000K CRI=90: 2700K, 3000K, 4000K
Colour changing:	RGB
Lenses:	White Light module: 24°, 35° or 60° RGB module: 10°, 25° or 35°
Power supply:	100 - 240 VAC
Power consumption:	Max. 93 Watt
Connection:	Power: Neutrik Powercon TRUE DMX: Neutrik Ethercon RJ45, XLR3 or XLR5
Housing:	Anodised aluminium black or white coated
Weight:	2500 gr
IP value:	IP20
Measurements:	219 x 229 x 94 mm (hxwxd)
Ambient temperature:	-10° C till +40° C

INSTALLATION

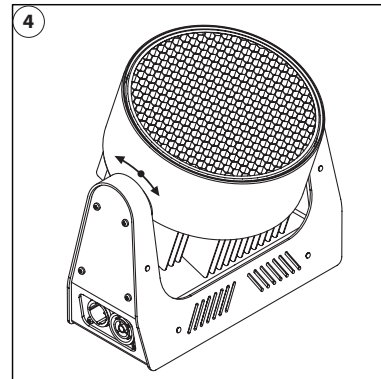
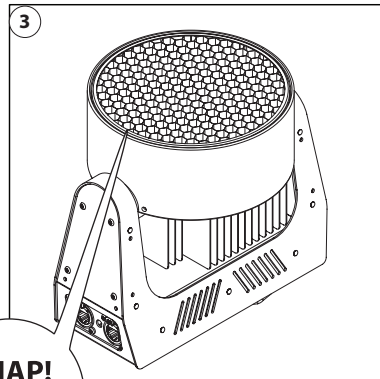
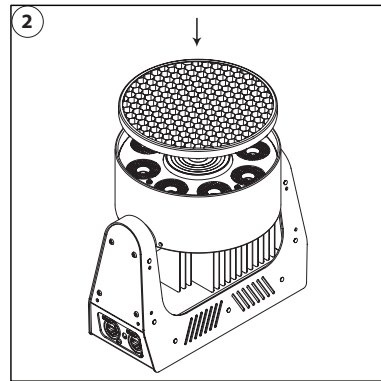
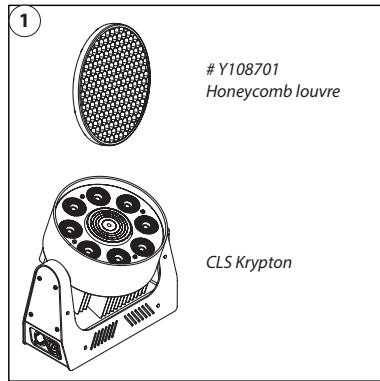


! Max. 6 Krypton's switched at once with C-16 fuse.
! CLS advises the use of inrush current limiters to switch more fixtures at once.



HONEYCOMB ASSEMBLY

PROGRAMMING

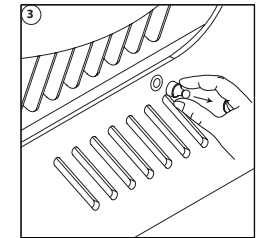
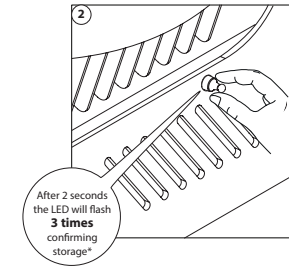
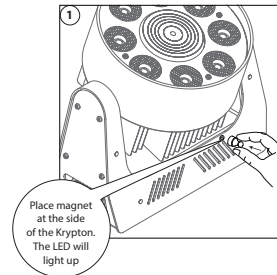


SNAP!
Magnetic holders

All settings can be configured via DMX. Settings can be configured at once or separately. When one or a couple settings needs to be changed just leave all other setting values zero. This keeps those settings unchanged. Please check the table for more information.

Always use a DMX controller with digital interface. If not available, you can purchase the CLS D-ta DMX addresser unit (#122200).

First make sure to set the DATA on the DMX controller. To program the setting into the LED fixture follow the next steps.



* If the LEDs flashes 10 times, something went wrong. Please try again. If the problem continues to occur, please contact your local sales distributor.

FACTORY SETTING TABLE

FACTORY SETTING TABLE													
Row #	Fixture type	Address	Static behavior	Soft dim	Master control	Output 1 patch	Output 2 patch	Output 3 patch	Output 4 patch	Static output 1	Static output 2	Static output 3	Static output 4
1	RGBW	1	1	Off	Off	1 (R)	2 (G)	3 (B)	4 (W)	255	255	255	255
2	RGBA	1	1	Off	Off	1 (R)	2 (G)	3 (B)	4 (A)	255	255	255	255
3	AWB	1	1	Off	Off	3 (B)	2 (W)	1 (A)	2 (W)	255	255	255	255
4	1800-3000K	1	1	Off	Off	1 (18)	2 (30)	1(18)	2(30)	255	255	255	255
5	1800-4000K	1	1	Off	Off	1 (18)	2 (40)	1(18)	2(40)	255	255	255	255
6	2700-5000K	1	1	Off	Off	1 (27)	2 (50)	1(27)	2(50)	255	255	255	255
7	Single colour	1	1	Off	Off	1	1	1	1	255	255	255	255

2022 CLS-LED BV. All rights reserved. Information subject to change without notice, CLS-LED BV and all affiliated companies disclaim liability for injury, damage direct or indirect loss, consequential or economic loss or any other loss occasioned by the use of, inability to use or reliance on the information contained in this manual. No part of this manual may be reproduced, in any form or by any means, without permission in writing from CLS-LED BV. Other legal information can be found in our General conditions, found on the back of your CLS-LED BV invoice, inside the CLS catalogue or on our website www.cls-led.com/General-Terms.pdf

PROGRAMMING TABLE

LIST OF SYMBOLS

PROGRAMMING TABLE				
DMX	Function	Data	Parameters	Description
CH1	Set address 001 to 255	0	0 = no change	Use this DMX channel to set address from 001 to 255. The configured DMX address is called "n"
		1...255	DMX address = 1...255	
CH2	Set address 256 to 508	0	no change	Use this DMX channel to set address from 256 to 508. The configured DMX address is called "n"
		1...255	DMX address = 256...508	
CH3	Static behavior	0	no change	If no DMX is present the fixture will respond like set in this function.
		1	last DMX value	
		2	output off	
		3	load static values	
CH4	Soft dim	0	no change	Dynamic soft dim. When activated an extra DMX channel behind the colours/master controls the soft dim reaction.
		1	off	
		2	on	
CH5	Master control	0	no change	If master is first channel is selected the channel will be DMX channel "n". If master is last channel is selected the channel will be "n+x" ("x" is calculated in the output patch).
		1	no master used	
		2	master is first channel	
		3	master is last channel	
CH6	Output 1 patch	0	no change	Each output channel can be patched to respond to the desired DMX channel. This enables the user to mix up the colours according to the controller that is used.
		1	DMX channel n	
		2	DMX channel n+1	
		3	DMX channel n+2	
		4	DMX channel n+3	
CH7	Output 2 patch	0	no change	Example: all outputs are patched as 1 All outputs will be controlled by DMX channel "n". If master is used total DMX channels will be 2 otherwise it uses 1 channel ("x" = 1).
		1	DMX channel n	
		2	DMX channel n+1	
		3	DMX channel n+2	
		4	DMX channel n+3	
CH8	Output 3 patch	0	no change	Example: output 1&2 are patched as 1 and 3&4 are patched as 2 Output 1 & 2 will be controlled by DMX channel "n". Output 3 & 4 will be controlled by DMX channel "n+1".
		1	DMX channel n	
		2	DMX channel n+1	
		3	DMX channel n+2	
		4	DMX channel n+3	
CH9	Output 4 patch	0	no change	If master is used total DMX channels will be 3 otherwise it uses 2 channels ("x" = 2).
		1	DMX channel n	
		2	DMX channel n+1	
		3	DMX channel n+2	
		4	DMX channel n+3	
CH10	Static output 1	0	no change	Each output channel can be set to a static intensity.
		1	output off	
		2...255	intensity 2...255	
CH11	Static output 2	0	no change	If no DMX is present and Static behavior is set to "load static values". The outputs will be set to the configured intensity values.
		1	output off	
		2...255	intensity 2...255	
CH12	Static output 3	0	no change	
		1	output off	
		2...255	intensity 2...255	
CH13	Static output 4	0	no change	
		1	output off	
		2...255	intensity 2...255	
CH14	Load default settings	0	no change	This function resets all settings to the Factory setting. Check Factory setting table.
		X	Load Factory settings. X is row number factory setting table.	

	Protection class One, two or three		Retail & Food LED modules Clothing, furniture, kitchens, jewellery, shoes, bread, meat, fish and vegetables & fruit.
	Application area Indoor or outdoor		Colour Available colours: Amber, blue, red or green
	Application area Floor, wall or ceiling		White colour temperature In different Kelvin values: Cold white, neutral white, warm white or extra warm white
	Swivel Fixture is horizontally rotatable, indicated in degrees		Curve Minimal bending curve in centimeters
	Swivel Fixture is vertically rotatable, indicated in degrees		Cutting length Indicated by the cutting marks
	Multiple connection Daisychain connectivity		LED pitch Pitch between the LEDs in millimeters
	Installation depth In centimeters		Power supply In VDC, VAC or milliAmpere
	Installation size In centimeters		Power consumption In VA or Watt
	Cable length Maximum cable attached to the fixture in centimeters		Dimmable 1-10 Volt, Phase, individual, DMX dimmable or DALI
	Driver Inclusive or exclusive Internal or external		PWM dimming Traditional PWM dimming, DMX analog or DMX Hybrid dim
	Weight In grams/kilograms		Bluetooth controlled By Casambi
	Pressure Maximum pressure on the fixture in kg/cm ²		Magno dimming Accurate dimming from 100 - 1% by using a magnet
	Lifespan Of the light source in hours		Dynamic Control Dynamic Power Control or Dynamic Temperature Control
	Lenses Available lenses, indicated in degrees		DMX input Fixture works on DMX512 protocol or Wireless DMX
	Performance Zoom Adjustable beam angle		Combined product Compose your own fixture
	LEDs Kind of LED used in the fixture		Warranty 3 or 5 years warranty on the product
	Plug & play Easy connection using the SmartConnect system		Conformité Européenne CE marking for free marketability of industrial goods within the EU
	IP value Ingress Protection classifies the degrees of protection provided against the intrusion of the product		Energy label
	Colour changing RGB, RGB-W, RGB-A, AWB or Tunable White		Lightsource Equipped with a CLS, Citizen or a Xicato LED module