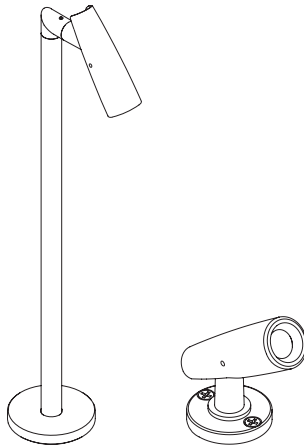


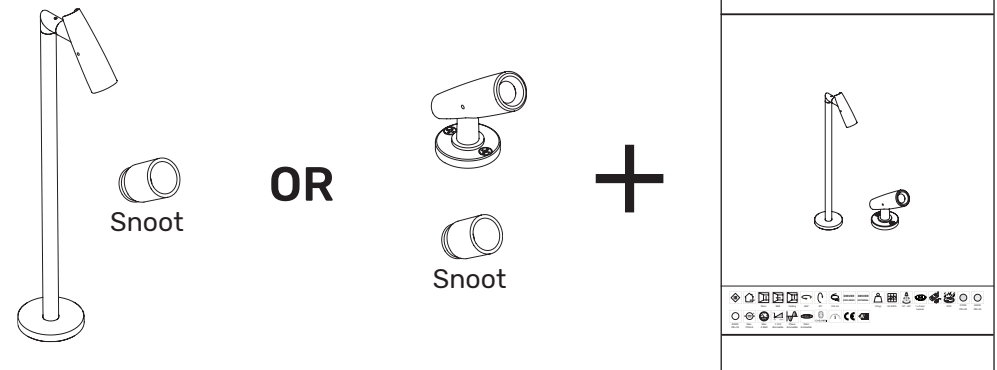
Index	2	Installation Focus Extended	5	Wiring diagram Mains dim drivers	12
Safety information	2	Installation Focus Extended with nut	6	Wiring diagram 1-10V dim drivers	13
Content	2	Focus Surface / Magnetic mount	7	Wiring diagram DALI dim drivers	15
Technical	3	Snoot assembly	8	Wiring diagram LDC-41 driver	16
Specifications	3	Zoom function	9	Accessories	17
Installation	4	Wiring diagram Non dim drivers	10	List of symbols	18



SAFETY INFORMATION

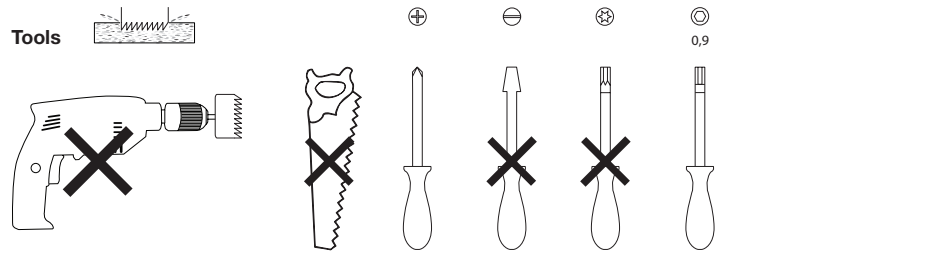
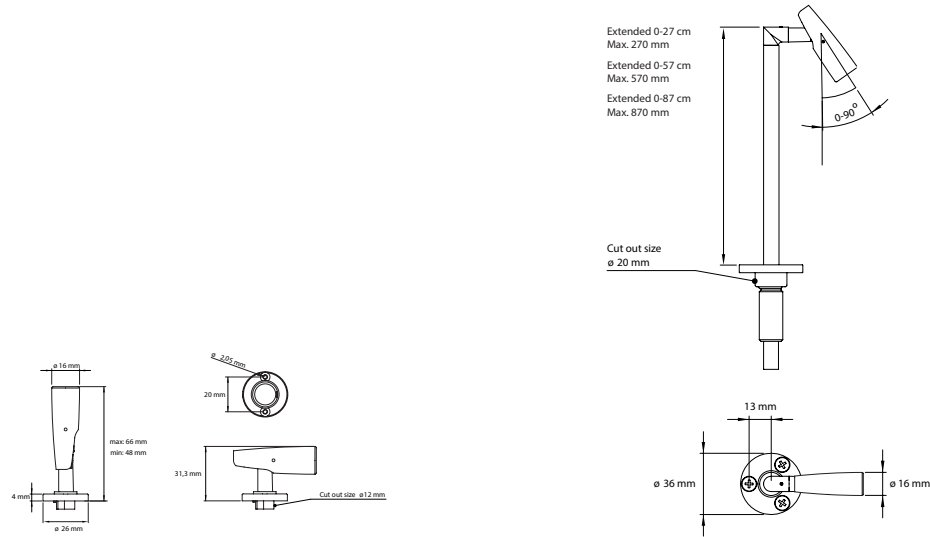
<p>Always switch off mains power of the driver before connecting or maintaining any fixtures!</p>	<p>Make sure all connectors are connected properly</p>	<p>Use a source of AC power that complies to local electrical codes</p>	<p>Block access below the work area when maintaining the unit</p>	<p>Do not stare into the LED</p>	<p>Ambiance Max. 40°</p>	<p>Qualified technician</p>

CONTENT



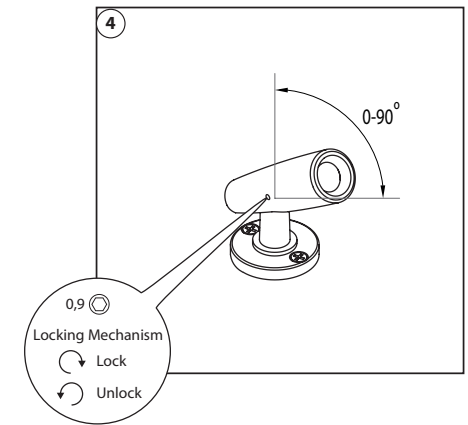
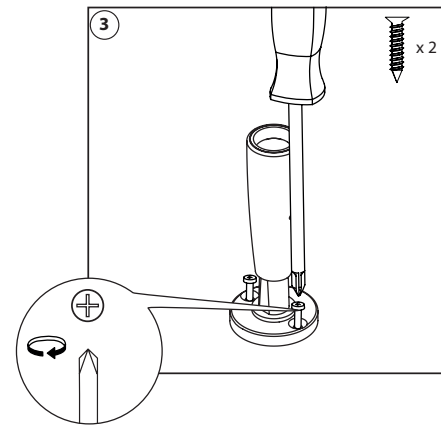
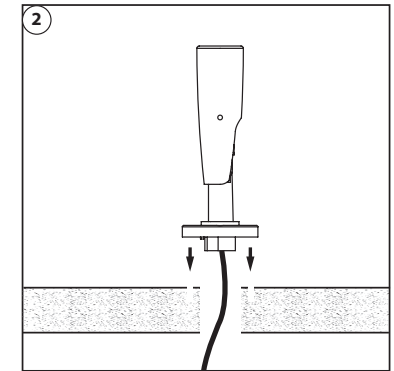
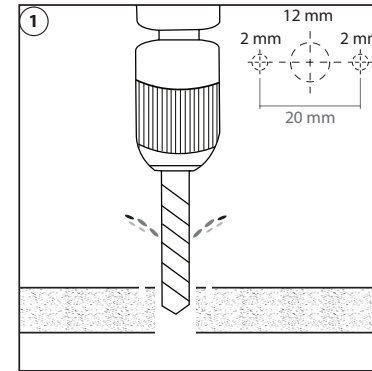
58050-FM

								DRIVER EXCLUDED	DRIVER EXTERNAL							
3500K CRI=95	4000K CRI=95	Max. 350mA	Max. 1 Watt	1-10V dimmable	Phase dimmable	DALI dimmable	CAS/IMBI	5 YEAR WARRANTY	CE	A+						

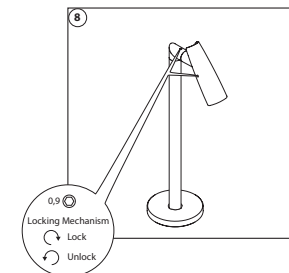
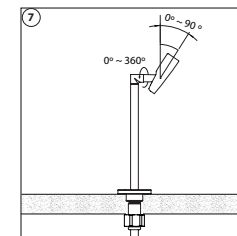
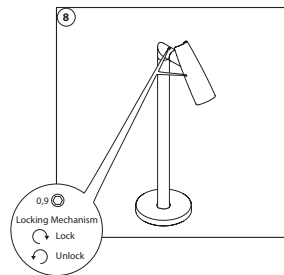
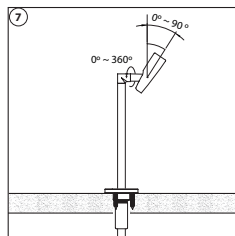
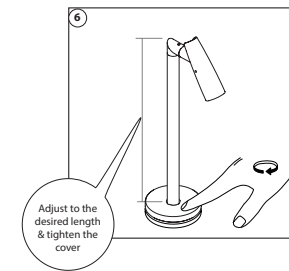
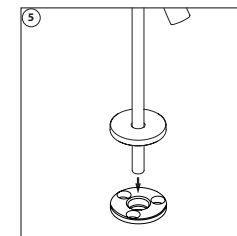
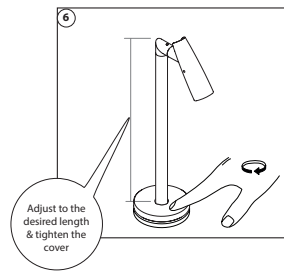
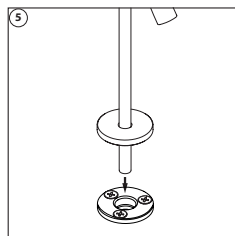
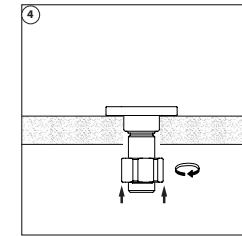
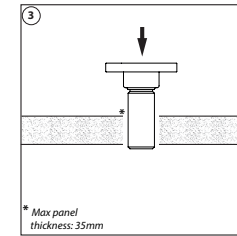
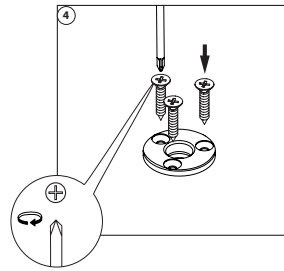
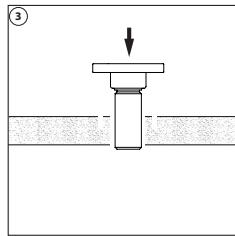
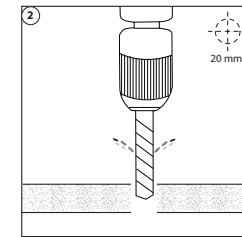
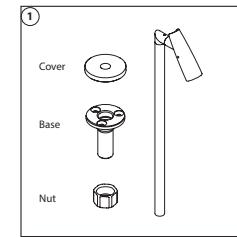
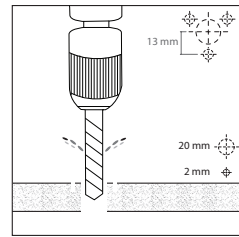
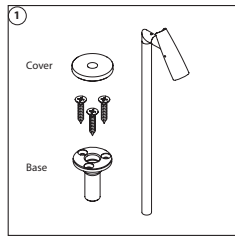


SPECIFICATIONS

LED: 1 x Luxeon
Available colours: CRI=95: 2700K, 3000K, 3500K & 4000K
Beam angle: 6° to 90°
Power supply: Max. 350mA
Power consumption: Max. 1 Watt
Housing: Black Aluminum brushed
Weight: 20 gr
IP value: IP20
Cable length: 150 centimeter
Ambient temperature: -10° C till +40° C



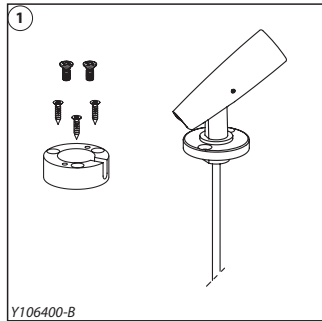
INSTALLATION FOCUS EXTENDED



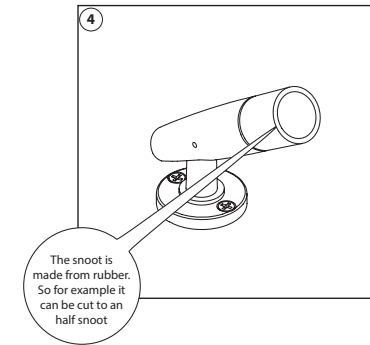
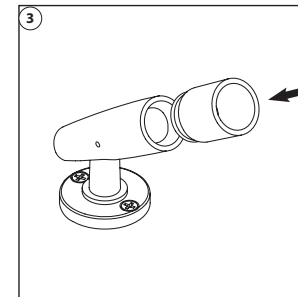
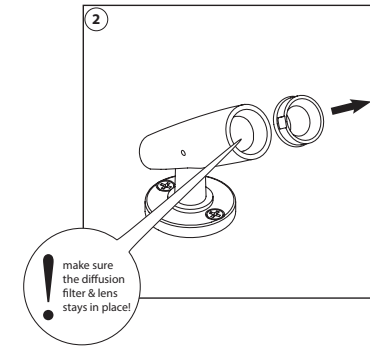
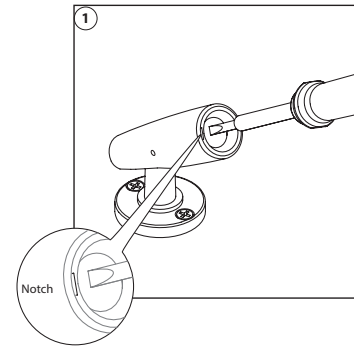
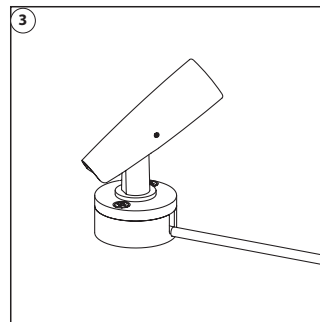
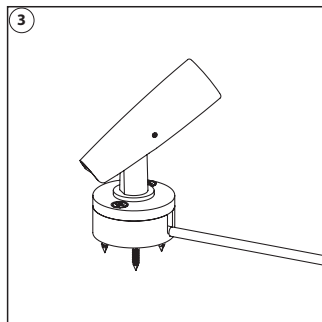
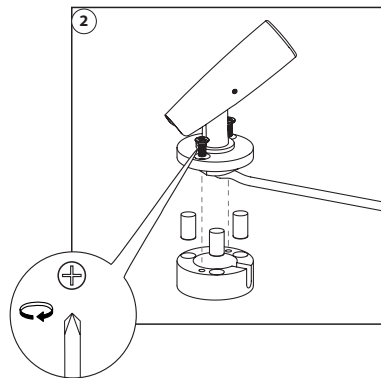
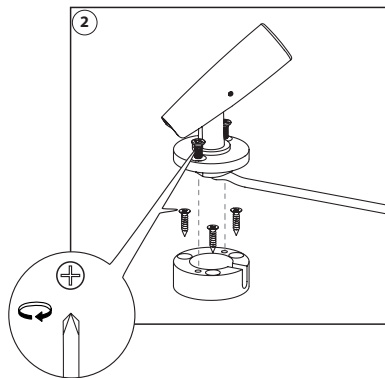
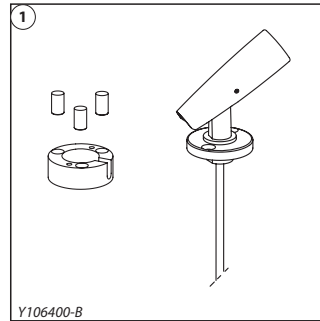
SURFACE / MAGNETIC MOUNT

SNOOT ASSEMBLY

OPTION I

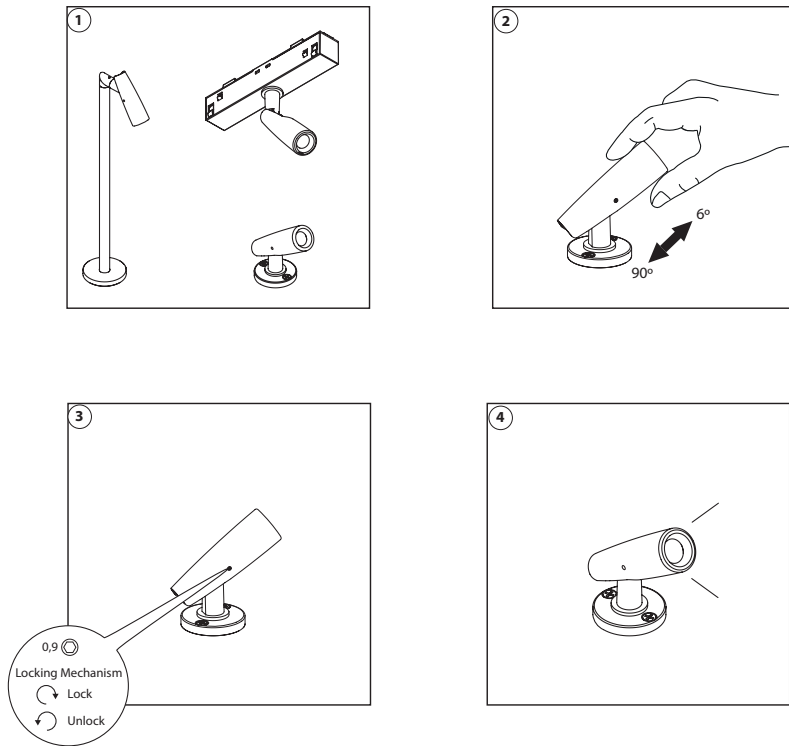


OPTION II - Magnetic



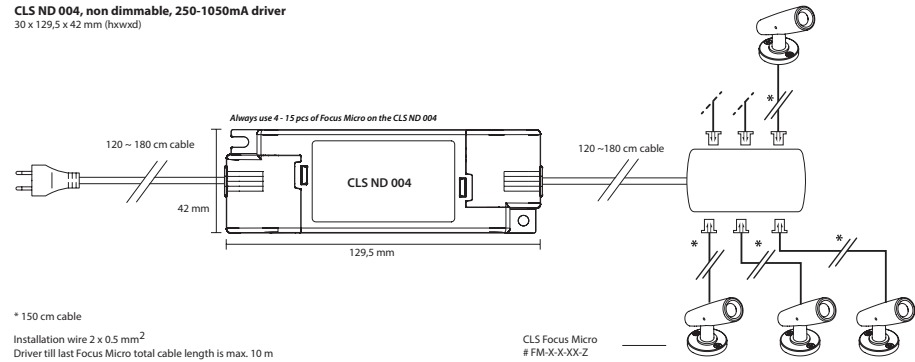
ZOOM FUNCTION

WIRING DIAGRAM NON DIM DRIVERS



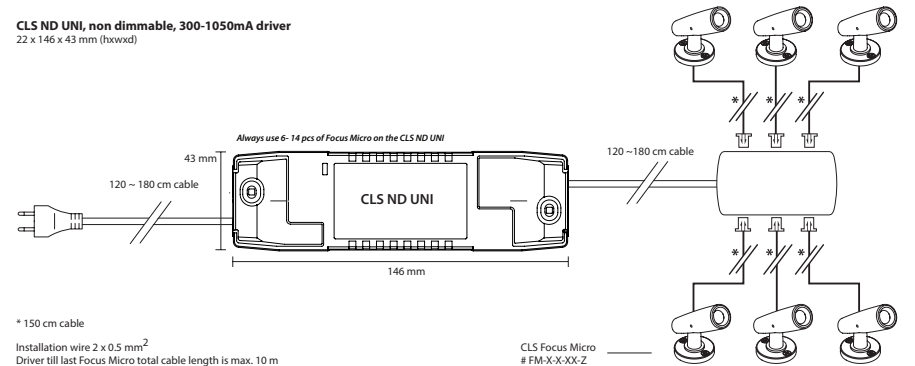
! Always switch off mains power of the driver before connecting any fixtures!

CLS ND 004, non dimmable, 250-1050mA driver
30 x 129,5 x 42 mm (hxxwxd)



* 150 cm cable
Installation wire 2 x 0.5 mm²
Driver till last Focus Micro total cable length is max. 10 m

CLS ND UNI, non dimmable, 300-1050mA driver
22 x 146 x 43 mm (hxxwxd)



* 150 cm cable
Installation wire 2 x 0.5 mm²
Driver till last Focus Micro total cable length is max. 10 m

WIRING DIAGRAM MAINS DIM DRIVERS

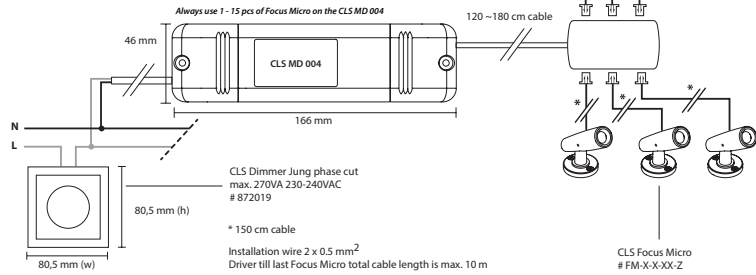
WIRING DIAGRAM 1-10V DIM DRIVERS

! Always switch off mains power of the driver before connecting any fixtures!

! Always switch off mains power of the driver before connecting any fixtures!

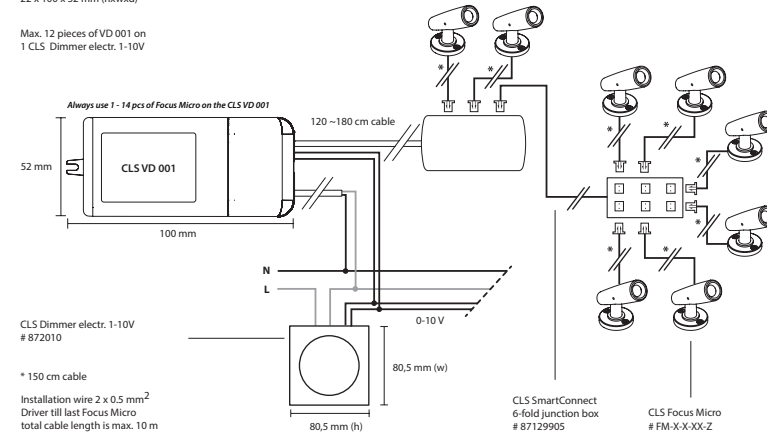
CLS MD 004, mains dimmable, 250-700mA driver

34 x 166 x 46 mm (hwxwxw)
Max. 12 pieces of MD 004 on
1 CLS dimmer Jung phase-cut



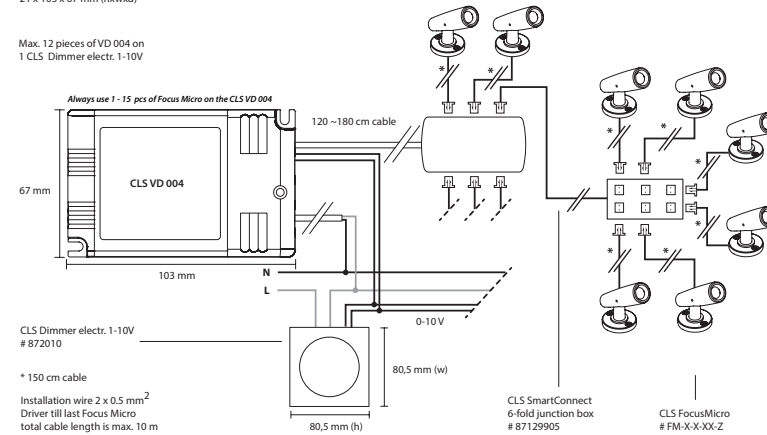
CLS VD 001, 1-10V dimmable, 350-900mA driver

22 x 100 x 52 mm (hwxwxw)
Max. 12 pieces of VD 001 on
1 CLS Dimmer electr. 1-10V



CLS VD 004, 1-10V dimmable, 350-900mA driver

21 x 103 x 67 mm (hwxwxw)
Max. 12 pieces of VD 004 on
1 CLS Dimmer electr. 1-10V

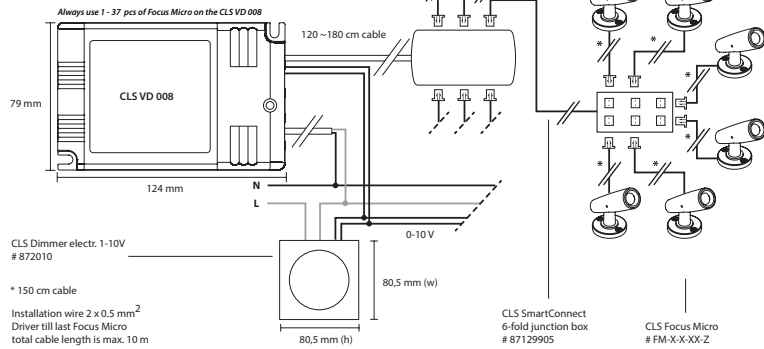


WIRING DIAGRAM DALI DIM DRIVERS

! Always switch off mains power of the driver before connecting any fixtures!

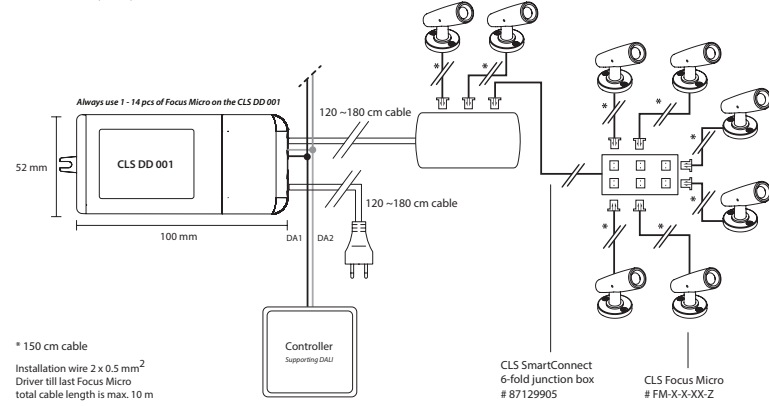
CLS VD 008, 1-10V dimmable, 250-700mA driver
22 x 124 x 79 mm (hxwd)

Max. 12 pieces of VD 008 on
1 CLS Dimmer electr. 1-10V

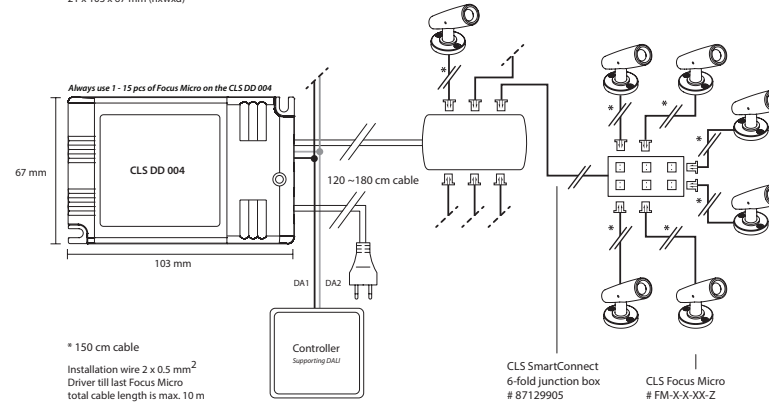


! Always switch off mains power of the driver before connecting any fixtures!

CLS DD 001, DALI dimmable, 250-700mA driver
22 x 100 x 52 mm (hxwd)



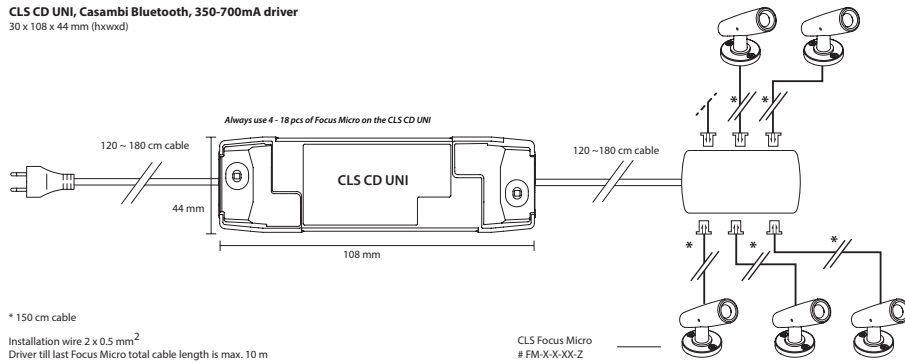
CLS DD 004, DALI dimmable, 350-700mA driver
21 x 103 x 67 mm (hxwd)



WIRING DIAGRAM CASAMBI DRIVER

! Always switch off mains power of the driver before connecting any fixtures!

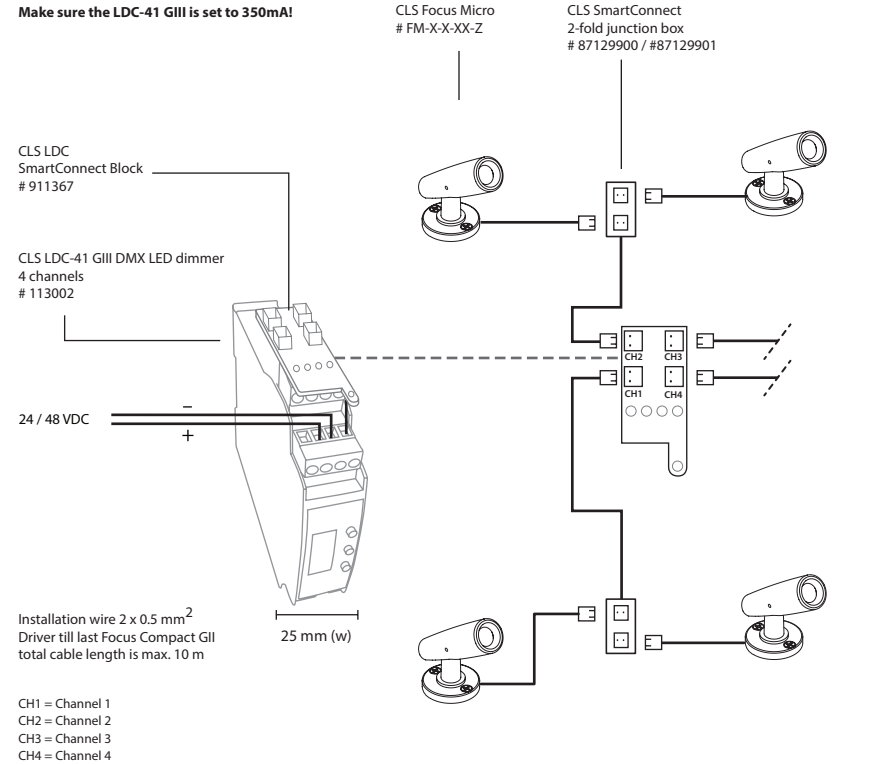
CLS CD UNI, Casambi Bluetooth, 350-700mA driver
30 x 108 x 44 mm (h x w x d)



LDC-41 GIII WIRING DIAGRAM

! Always switch off mains power of the driver before connecting any fixtures!

Make sure the LDC-41 GIII is set to 350mA!



! 24 VDC powersupply: Min. 4 and max. 13 pcs on each channel
48 VDC powersupply: Min. 7 and max. 24 pcs on each channel
● Also select the correct BT powersupply according to the consumed power

CLS SmartConnect 6-fold junction box # 87129905

ACCESSORIES

ACCESSORIES

113002	CLS LDC-41 GIII DMX LED dimmer 4 channels 0.35-1A per channel
911367	CLS LDC SmartConnect block
87129900	CLS SmartConnect 2-fold junction box & shortcircuit connect.
87129901	CLS SmartConnect 2-fold junction box with 5 metre cable
87129905	CLS SmartConnect 6-fold junction box & shortcircuit connect.
87129915	CLS SmartConnect short circuit plugs (10pcs)
872019	CLS Dimmer Jung phase cut max. 270VA 230-240VAC
874003	CLS ND UNI non dim driver
874101	CLS MD 001 mains dim. 198-264V, 700mA driver
874104	CLS MD 004 mains dim. 198-264V, 250-700mA driver
874201	CLS VD 001, 1-10V dim. 99-264 V, 350-900mA driver
874204	CLS VD 004, 1-10V dim. 99-264 V, 350-900mA driver
874208	CLS VD 008, 1-10V dim. 99-264 V, 250-700mA driver
874302	CLS DD UNI DALI dim driver
875014	CLS CD UNI Casambi Bluetooth driver
Y106400-B	CLS Focus Micro surface / magnet mount

2020 CLS-LED BV. All rights reserved. Information subject to change without notice, CLS-LED BV and all affiliated companies disclaim liability for injury, damage direct or indirect loss, consequential or economic loss or any other loss occasioned by the use of, inability to use or reliance on the information contained in this manual. No part of this manual may be reproduced, in any form or by any means, without permission in writing from CLS-LED BV. Other legal information can be found in our General conditions, found on the back of your CLS-LED BV invoice, inside the CLS catalogue or on our website www.cls-led.com/General-Terms.pdf

LIST OF SYMBOLS

	Protection class One, two or three		Retail & Food LED modules Clothing, furniture, kitchens, jewellery, shoes, bread, meat, fish and vegetables & fruit.
	Application area Indoor or outdoor		Colour Available colours: Amber, blue, red or green
	Application area Floor, wall or ceiling		White colour temperature In different Kelvin values: Cold white, neutral white, warm white or extra warm white
	Swivel Fixture is horizontally rotatable, indicated in degrees		Curve Minimal bending curve in centimeters
	Swivel Fixture is vertically rotatable, indicated in degrees		Cutting length Indicated by the cutting marks
	Multiple connection Daisychain connectivity		LED pitch Pitch between the LEDs in millimeters
	Installation depth In centimeters		Power supply In VDC, VAC or milliAmpere
	Installation size In centimeters		Power consumption In VA or Watt
	Cable length Maximum cable attached to the fixture in centimeters		Dimmable 1-10 Volt, Phase, individual, DMX dimmable or DALI
	Driver Inclusive or exclusive internal or external		PWM dimming Traditional PWM dimming, DMX analog or DMX Hybrid dim
	Weight In grams/kilograms		Bluetooth controlled By Casambi
	Pressure Maximum pressure on the fixture in kg/cm ²		Magne dimming Accurate dimming from 100 - 1% by using a magnet
	Lifespan Of the light source in hours		Dynamic Control Dynamic Power Control or Dynamic Temperature Control
	Lenses Available lenses, indicated in degrees		DMX input Fixture works on DMX512 protocol or Wireless DMX
	Performance Zoom Adjustable beam angle		Combined product Compose your own fixture
	LEDs Kind of LED used in the fixture		Warranty 3 or 5 years warranty on the product
	Plug & play Easy connection using the SmartConnect system		Conformité Européenne CE marking for free marketability of industrial goods within the EU
	IP value Ingress Protection classifies the degrees of protection provided against the intrusion of the product		Energy label
	Colour changing RGB, RGB-W, RGB-A, AWB or Tunable White		Lightsource Equipped with a CLS, Citizen or a Xicato LED module