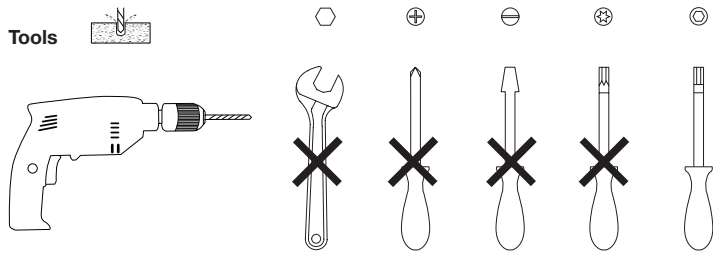
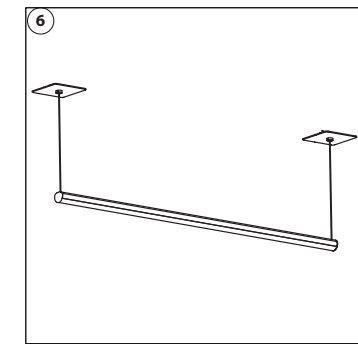
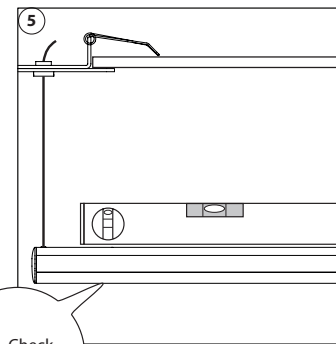
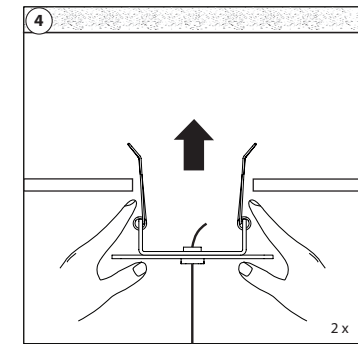
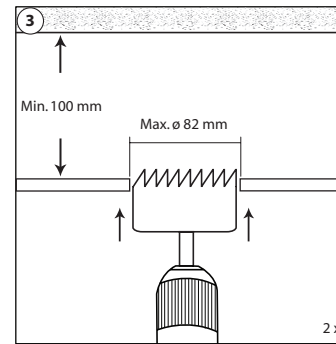
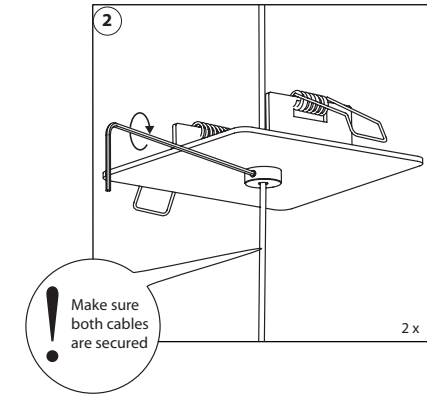
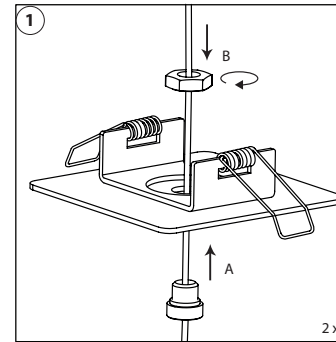


A	Model
296 mm	Lina Suspended HP 30 cm
546 mm	Lina Suspended HP 55 cm
796 mm	Lina Suspended HP 80 cm

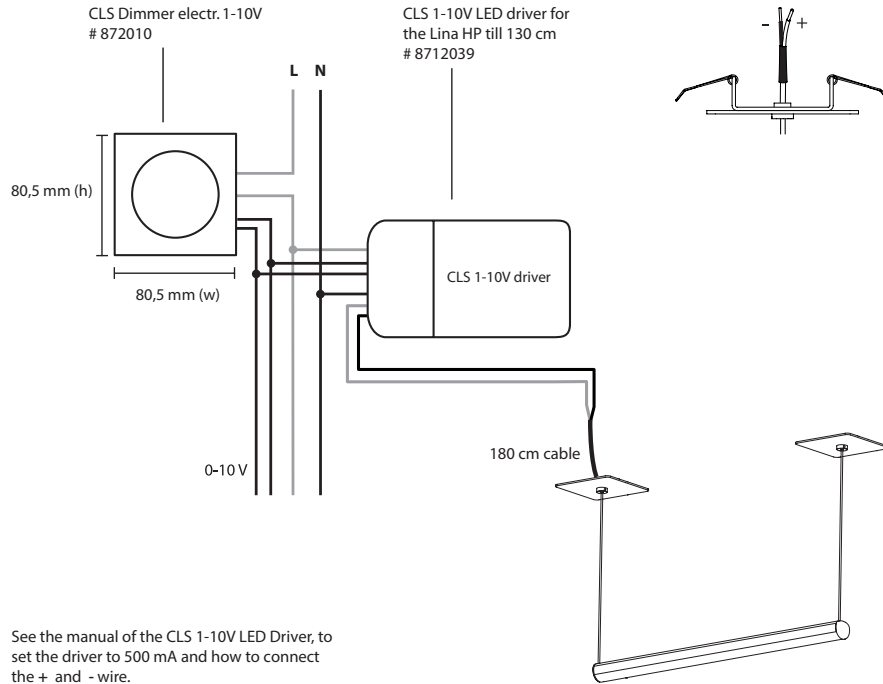


SPECIFICATIONS	
LED:	High Power LED
Available colours:	2700K, 3000K & 4000K
Power supply:	500mA
Power consumption:	Max. 8 Watt / 25 cm
Lenses:	14°, 16°, 30°, 42°, 120° & 36° x 14°
Housing:	Black anodised aluminium, White coated
Cable length:	180 cm
Ambient temperature:	-20° C till +40° C

2021 CLS-LED BV. All rights reserved. Information subject to change without notice. CLS-LED BV and all affiliated companies disclaim liability for injury, damage direct or indirect loss, consequential or economic loss or any other loss occasioned by the use of, inability to use or reliance on the information contained in this manual. No part of this manual may be reproduced, in any form or by any means, without permission in writing from CLS-LED BV. Other legal information can be found in our General conditions, found on the back of your CLS-LED BV invoice, inside the CLS catalogue or on our website www.cls-led.com/General-Terms.pdf



! Always switch off mains power of the driver before connecting any fixtures!



See the manual of the CLS 1-10V LED Driver, to set the driver to 500 mA and how to connect the + and - wire.

Number of Lina Suspended HP on the CLS 1-10V LED driver

CLS Lina driver	
Fixture	#
Lina HP 30	1 - 5
Lina HP 55	1 - 2
Lina HP 80	1



- It is possible to combine different LINA HP length as long as the total number of LEDs is not higher than 25.

- Total cable length should not be longer than 10 meter.

	Protection class One, two or three		Retail & Food LED modules Clothing, furniture, kitchens, jewellery, shoes, bread, meat, fish and vegetables & fruit.
	Application area Indoor or outdoor		Colour Available colours: Amber, blue, red or green
	Application area Floor, wall or ceiling		White colour temperature In different Kelvin values: Cold white, neutral white, warm white or extra warm white
	Swivel Fixture is horizontally rotatable, indicated in degrees		Curve Minimal bending curve in centimeters
	Swivel Fixture is vertically rotatable, indicated in degrees		Cutting length Indicated by the cutting marks
	Multiple connection Daisychain connectivity		LED pitch Pitch between the LEDs in millimeters
	Installation depth In centimeters		Power supply In VDC, VAC or milliAmpere
	Installation size In centimeters		Power consumption In VA or watt
	Cable length Maximum cable attached to the fixture in centimeters		Dimmable 1-10 Volt, Phase, individual, DMX dimmable or DALI
	Driver Inclusive or exclusive internal or external		PWM dimming Traditional PWM dimming, DMX analog or DMX Hybrid dim
	Weight In grams/kilograms		Bluetooth controlled By Casambi
	Pressure Maximum pressure on the fixture in kg/cm²		Magne dimming Accurate dimming from 100 - 1% by using a magnet
	Lifespan Of the light source in hours		Dynamic Control Dynamic Power Control or Dynamic Temperature Control
	Lenses Available lenses, indicated in degrees		DMX input Fixture works on DMX512 protocol or Wireless DMX
	Performance Zoom Adjustable beam angle		Combined product Compose your own fixture
	LEDs Kind of LED used in the fixture		Warranty 3 or 5 years warranty on the product
	Plug & play Easy connection using the SmartConnect system		Conformité Européenne CE marking for free marketability of industrial goods within the EU
	IP value Ingress Protection classifies the degrees of protection provided against the intrusion of the product		Energy label
	Colour changing RGB, RGB-W, RGB-A, AWB or Tunable White		Lightsource Equipped with a CLS, Citizen or a Xicato LED module