

MARTINA BRACKET



The Martina Bracket is a surface-mounted LED light fixture that creates beautiful and unique lighting effects. It has five different beam angles, including a spot beam of 10° and an elliptical beam angle of 13° x 40°, making it perfect for a variety of applications. The smooth and homogeneous colour mixing is perfect for creating the perfect mood in any space. The Martina Bracket is easy and fast to install with power and data through one single CAT5 (RJ45) cable, making it a great choice for any project.

Categories: [Martina Series](#), [Indoor](#), [Surface mounted](#), [ColourFlow](#)

> Specifications

Type	Martina Bracket, Surface mounted colour changing
Colour	Black or white
Material	Coated aluminum
Weight	420 gram
Swivel	360° horizontal 270° vertical

Optics	10° 24° 31° 13 x 40° 60° diffused
Light source	High Power LED
Light output	260 lumen
LED colours	RGB-W 4000K RGB-A 1800K-4000K 2700K-5700K

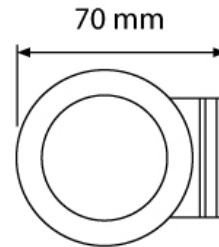
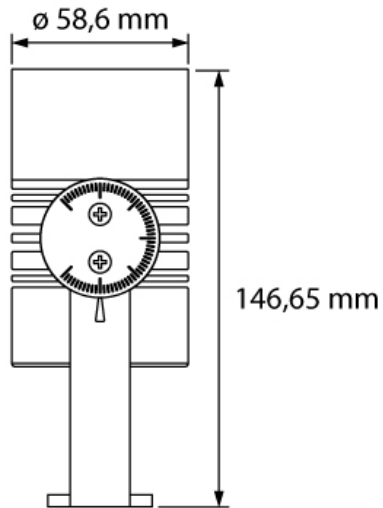
Power consumption	Max. 10 Watt
Power supply	24 VDC
Driver	Driver excluded Driver internal
Dimming	DMX512
Connection	RJ45 in/output chassis connector

IP rating	IP 20
Protection class	3
Certifications	CE

Lifetime	50.000 hours
----------	--------------

LB Value L90B10 at 50.000h
Warranty 5 years

Accessories 4-way RJ45-UTP distribution box & CLS Magnet Pin.
Remarks Individually adressable.



1: RJ45 connectors

