

# Topaz Series

Track & surface mounted fixtures



## > Topaz Series Track & surface mounted fixtures

The Topaz Series forms a beautiful range of fixtures, designed with the valuable input from and in close collaboration with museum lighting designers & technicians, architects, engineers, exhibition designers, CLS distributors and last but not least users from around the globe.

The Topaz Series is our most comprehensive fixture range to date, characterized by a vast array of configurations, ensuring a solution for nearly every lighting requirement. The elegant design is discreet, featuring a gently curved back to create a slimmer profile. All electronics are fully integrated into the fixture, eliminating the need for external driver housings.

The Topaz Series features these models:

- > Topaz Expo
- > Topaz Zoom
- > Topaz Profile Zoom Framing / Gobo
- > Topaz ColourFlow\*

\* Expected 2025

Key features the fixtures have in common:

### A choice in different mounting possibilities

In addition to mounting on rails, CLS also offers the "B" mounting option, where the "B" stands for Bolt. This fixture is equipped with an M10 threaded nipple, making it suitable for mounting on a metal ceiling plate, a cable duct, or other locations where rail mounting is not feasible or desirable.



### Mount fixtures both vertically and horizontally on a rail

The fixtures can be mounted both horizontally and vertically on a rail, thanks to the perfectly balanced center of gravity and multiple locking mechanisms. Both the rotation point in the adapter and the fixture's head on the bracket can be securely locked.

### Unparalleled dim and control options

CLS is renowned worldwide for its innovative lighting control solutions, offering designers endless opportunities to integrate lighting into thematic, interactive environments.

- > Local Dim
- > Roto Dim
- > DMX512
- > Wireless DMX
- > Casambi Bluetooth
- > Casambi Bluetooth & Local Dim in 1 track adapter
- > DALI



Local Dim



Roto Dim ®



DMX512



W-DMX



Casambi



DALI

### Roto Dim ®

The Roto Dim system once again emphasises CLS' position as an innovator and leading global player.

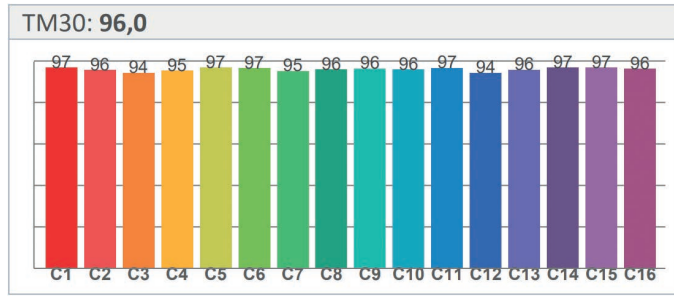
Roto Dim introduces a completely new way of dimming. It combines the ease and speed of analog potentiometer with the precision of digital dimming. With the detachable magnetic potentiometer, you can dim to 0.01%. The digital potentiometer offers endless rotation, making the resolution extremely high. This high resolution makes 1 Lux accuracy easily achievable. A smart algorithm ensures fast adjustments when rotating quickly and finer control when rotating slowly. Once the magnetic potentiometer is removed or no changes have been made in a period of 3 seconds, the chosen dimming level is stored in memory.



## > Topaz Series Track & surface mounted fixtures

### Light quality

Just like the Jade and Focus Series, the Topaz Series offers exceptional light quality. Our light sources score remarkably well, not only in terms of CRI but also in more advanced reports like TM30 and CQS. Additionally, the light beams are beautifully even, with soft edges. The Topaz Profile Framing provides sharply defined projections without the typical "blue line" effect seen in many LED profile fixtures.



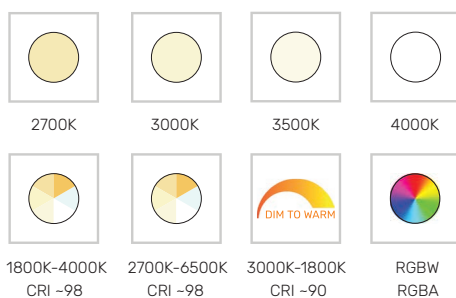
Topaz Expo 3000K CRI98

### CLS offers an extensive range in light sources

CLS provides a wide selection of light sources, prioritizing optimal colour rendering. Should you not find your preferred light source among the extensive options, feel free to contact your local CLS supplier. We may be able to include your desired light source in our portfolio (MOQ applies).

A small selection of available light sources:

- > White light in 2700K, 3000K, 3500K & 4000K with a CRI up to ~98
- > Tunable White LED modules in 1800K-4000K and 2700K-6500K with a CRI up to ~98
- > Colour changing RGBW and RGBA LED modules
- > Dim To Warm in 3000K-1800K with a CRI ~90



### Accessories for every application

For the Topaz Series, a substantial number of accessories is available. You can mount these in a matter of seconds via the quick-click system. Snoots can be built up in multiple segments to the desired length, containing multiple accessories. Additionally, a honeycomb, filter accessory holders, elliptical beam filters and a rotatable barn door are available.



## > Topaz Series Track & surface mounted fixtures

### Variants

On the following pages we will give you an overview of the different variants of the Topaz Series, with a short description of each model.

### Topaz Expo

The Topaz Expo makes use of high-quality optics that provide an even light beam. Optics can be changed in seconds, allowing lighting technicians to quickly make adjustments on-site. Optics are available in 5 different variants. Using the optional beam shaper, you can even expand the number of beam angles.



Topaz Expo

The optics are available in 12°, 14°, 25°, 35° or 55° (applicable when you choose Bridgelux LED modules). When you opt for Xicato LED modules, the beams angles will get wider. For more information, you can find everything you need concerning photometric data on our website. In short the Topaz Expo delivers a relatively high light output at an exceptionally competitive price.



12°



14°



25°



35°



55°

### Topaz Zoom

With a zoom range of 9° - 58°, the Topaz Zoom is the ultimate lighting tool for museums, galleries, and experience centres. Despite a maximum power consumption of just 15 Watts, its highly effective optical system provides a light output sufficient for most museum applications. It offers an even light beam, with soft edges.



Topaz Zoom

The various control options offer endless possibilities for a perfect integration in any museum environment. In particular, the DMX and Roto Dim variants offer extremely accurate dimming possibilities to ensure that even the most delicate artefacts and paintings can be optimally illuminated.

The Roto Dim variant uniquely combines the ease of use of analogue potentiometer dimming with the extremely accurate dimming to particularly low levels that is characterised by digital dimming systems. The removable potentiometer is an absolute novelty and once again fully lives up to CLS' reputation as an innovator.

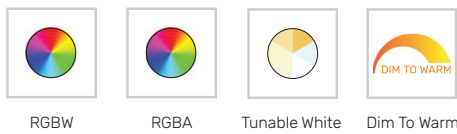
For environments where sensor-controlled lighting conditions are required, CLS offers the Casambi variant, where we can offer our own developed sensors that are integrated into a museum track fixture. CLS even offers a variant where the Casambi control protocol and Local Dim potentiometer dimming are integrated into 1 rail adapter.

## > Topaz Series Track & surface mounted fixtures

### Topaz ColourFlow

For environments where subtle changes in ambiance or coloured accents are desired, the Topaz ColourFlow\* is the ideal solution. With interchangeable optics, this fixture offers great creative freedom for on-site changes.

RGBW variants are recommended for creating base colours and pastels, while RGBA options are available for deeper, more saturated colours. Several Tunable White and Dim To Warm versions are also available. Its sharp price point and elegant design make the ColourFlow Series suitable for a wide range of environments, from museums to leisure spaces like restaurants, bars, clubs, and theaters.



Its sharp price point and aesthetically pleasing design make the ColourFlow Series the perfect choice for a wide range of environments, from museums to leisure spaces like restaurants, lounge bars, clubs, concert halls, bowling centres, and theaters.



### Topaz Profile Zoom Framing / Gobo

Achieve razor-sharp framed projections with the unique optics of the Topaz Profile. After testing hundreds of lens combinations, our optical experts have created a system that balances high projection quality with high output efficiency.

Topaz Profile



The projection quality is unprecedentedly high thanks to the use of no less than 8! lenses. Adjusting the zoom and focus range is quick and accurate using the rotating rings on the fixture.

The Profile is equipped with a zoom optic, which gives you considerably more options for finding the right positioning. The zoom range is 25° - 40°. Thanks to the extensive lens system, the effective light output is particularly high and in practice it will beat many fixtures with a higher power consumption in terms of light output. Gobo projections can also be made razor-sharp thanks to the ingenious optical system.

An accessory holder is also available for the Topaz Profile, which, unlike the other Topaz variants, does not work with a click system, but can be screwed onto the front of the fixture using a screw construction.

Topaz  
**ColourFlow**®

\* Expected 2025

## > Topaz Series Track & surface mounted fixtures

### Designed and made in the Netherlands

An investment in CLS fixtures means investing in quality and certainty for a realistic price. In addition to a 5-year full warranty on all components, we offer a 10-year after-sales warranty on components! All software and electronics are developed in-house. This allows us to upgrade our fixtures to meet customer requirements for years to come. With over 500,000 components in stock, we are able to service fixtures for an extremely long time.

Thanks to continuous investments in an extremely efficient production method in combination with a particularly flat organization, CLS is unbeatable in terms of price/quality ratio. It is not without reason that countless museums worldwide have made CLS their first choice. The lighting brings stories to life, emphasizes exhibitions, accentuates vulnerable artefacts and guarantees the authenticity and durability of the collection.

### Highlighted museum projects

- > Huis van het Boek, the Netherlands (Topaz Scoop!)
- > The MAS, Belgium
- > Louvre, France
- > Swiss Chocolate Adventure, Switzerland
- > Technisches Museum Wien, Austria
- > Museum Roma, Italy
- > Pirate Experience, Sint Maarten
- > Mohammed VI Museum, Morocco
- > Roman Villa Museum, United Kingdom
- > Homeland War Museum, Croatia
- > City of Science and Industry, France
- > Sherlock Holmes Museum, United Kingdom
- > Anne Frank House, the Netherlands
- > The Textile Museum, Denmark
- > NEMO Science Museum, the Netherlands
- > National Museum of the Royal Navy, United Kingdom
- > The National Maritime Museum, the Netherlands
- > Meet van Gogh Experience, China & Peking
- > Naturalis Biodiversity Center, the Netherlands
- > Porzellanikon, Germany
- > Chocolate Nation, Belgium
- > Musée d'Orsay, France
- > Madame Tussauds London, United Kingdom



Project: 50LUX / Lichtpunt | Photography: 50LUX - Jeffrey Steenberg

Huis van het Boek, the Netherlands

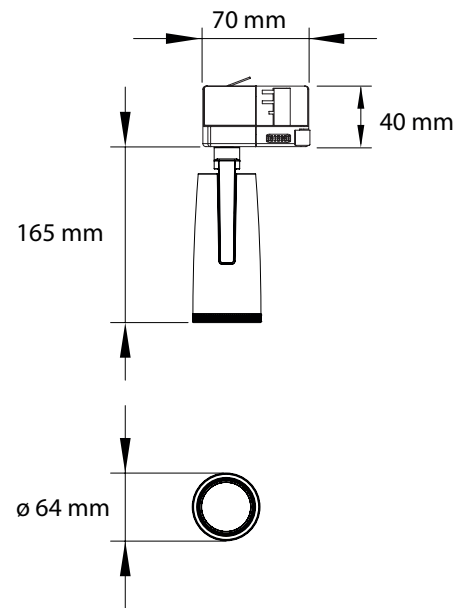
# > Topaz Series Track & surface mounted fixtures

## Technical specifications

### Topaz Zoom

LED:	Bridgelux or Xicato
Available colours:	CRI -90: 2700K, 3000K, 3500K or 4000K CRI -98: 2700K, 3000K, 3500K or 4000K
Beam angles:	9° ~ 58° Zoom
Light output:	650 Lumen
Control methods:	Roto Dim, Casambi, Local Dim, DALI, DMX, Wireless DMX, Non Dim
Power supply:	100-240 VAC*
Power consumption:	Max. 15 Watt
Housing:	Coated aluminium, available in black or white
Weight:	780 grams
Swivel:	360° horizontal, 90° vertical
IP value:	IP20
Ambient temperature:	-10 °C till 40 °C

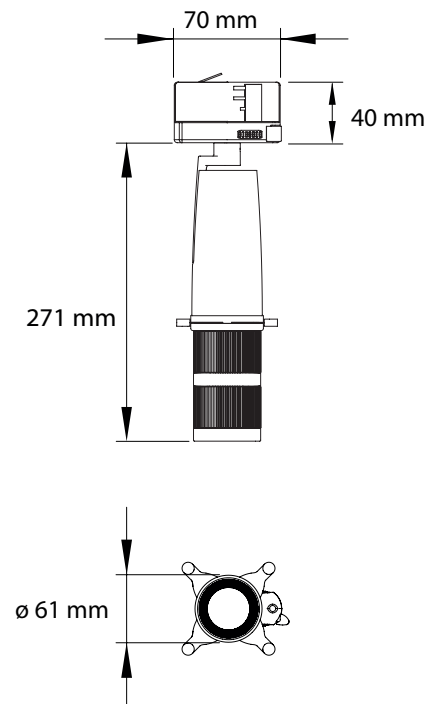
\* Depending on the selected control method



### Topaz Profile Track Spot

LED:	Bridgelux or Xicato
Available colours:	CRI -90: 2700K, 3000K, 3500K or 4000K CRI -98: 2700K, 3000K, 3500K or 4000K
Beam angles:	25° ~ 40° Zoom
Light output:	400 Lumen
Dimming:	Roto Dim, Casambi, Local Dim, DALI, DMX, Wireless DMX, Non Dim
Power supply:	100-240 VAC*
Power consumption:	Max. 15 Watt
Housing:	Coated aluminium, available in black or white
Weight:	998 grams
Swivel:	360° horizontal, 90° vertical
IP value:	IP20
Gobo measurement:	Max. $\varnothing$ 30 mm - Max. thickness 3 mm
Ambient temperature:	-10 °C till 40 °C

\* Depending on the selected control method



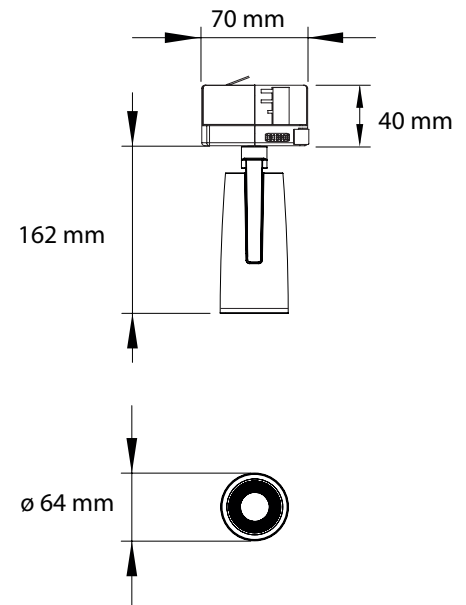
# > Topaz Series Track & surface mounted fixtures

## Technical specifications

### Topaz Expo Track Spot

LED:	Bridgelux or Xicato
Available colours:	CRI -90: 2700K, 3000K, 3500K or 4000K CRI -98: 2700K, 3000K, 3500K or 4000K
Beam angles:	12°, 14°, 25°, 35° & 55° (Narrow, Spot, Medium, Wide & Flood)
Light output:	950 Lumen
Control methods:	Roto Dim, Casambi, Local Dim, DALI, DMX, Wireless DMX, Non Dim
Power supply:	100-240 VAC*
Power consumption:	Max. 15 Watt
Housing:	Coated aluminium, available in black or white
Weight:	780 grams
Swivel:	360° horizontal, 90° vertical
IP value:	IP20
Ambient temperature:	-10 °C till 40 °C

\* Depending on the selected control method

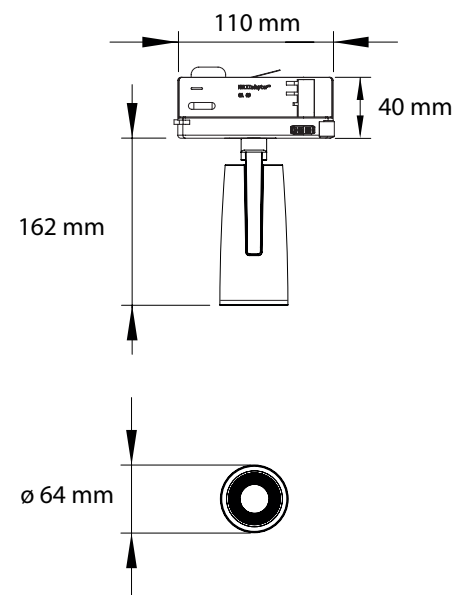


### Topaz ColourFlow\*

LED:	CLS Dynamic Colour Chip
Available colours:	RGBW (W: 3000K / 4000K)
Beam angles:	26°, 36° & 49° (Medium, Wide & Flood)
Light output:	600 Lumen
Control methods:	Casambi, DMX & Wireless DMX
Power supply:	100-240 VAC**
Power consumption:	Max. 15 Watt
Housing:	Coated aluminium, available in black or white
Weight:	780 grams
Swivel:	360° horizontal, 90° vertical
IP value:	IP20
Ambient temperature:	-10 °C till 40 °C

\* Expected 2025

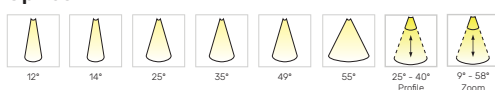
\*\* Depending on the selected control method



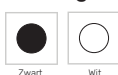
### Colour temperatures



### Optics



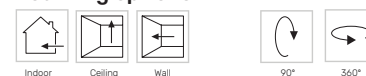
### Housing



### General Specifications



### Mounting options



### Control options



\* Due to continuous improvements and innovations, specifications may change without notice. All specifications are indicative, for actual values download the photometrics on our website.

V 11 / 2024