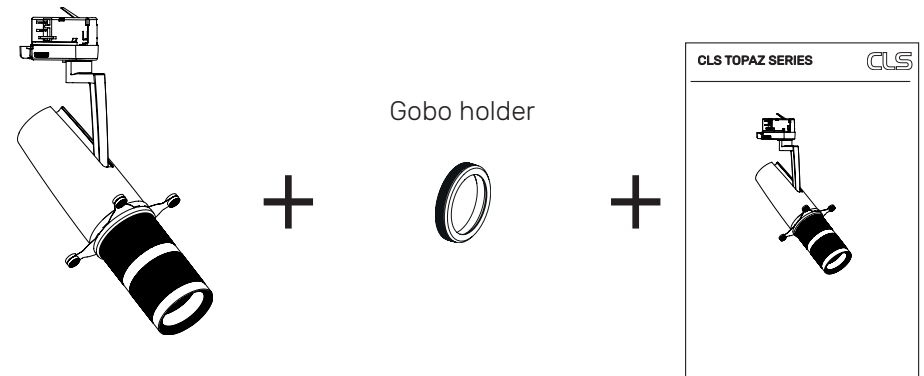


Index	2	Installation Global	4	Programming	10
Safety information	2	Installation Bolt	5	Programming table	11
Content	2	Framing	6	Accessories	12
Technical	3	Gobo placement	7	Accessory overview	12
Specifications	3	Filter holder assembly	8	List of symbols	13
Gobo specifications	3	Dim Methods	9		

## SAFETY INFORMATION

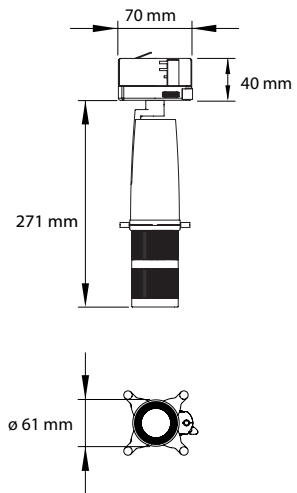
Make sure all connectors are connected properly	Use a source of AC power that complies to local electrical codes	Block access below the work area when maintaining the unit	Don't modify or install genuine parts on this product	Don't install in a flammable or explosive area	Warning! Some surfaces can be hot

## CONTENT

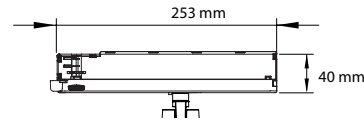


15 Watt Max.	Local Dim	Roto Dim	DMX dimmable	DALI dimmable	CASAMBI Bluetooth by Casambi	DMX Wireless DMX	5 YEAR WARRANTY	CE	A+	LIGHTSOURCE BY XICATO	bridgelux			

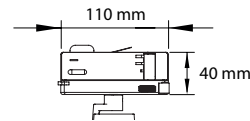
### Topaz Profile



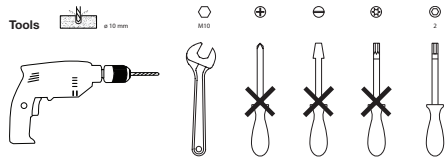
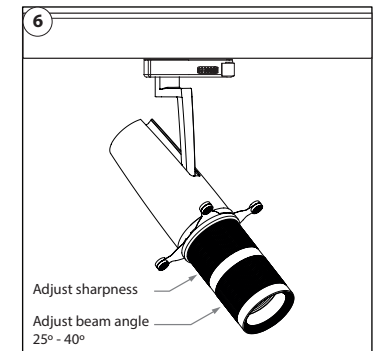
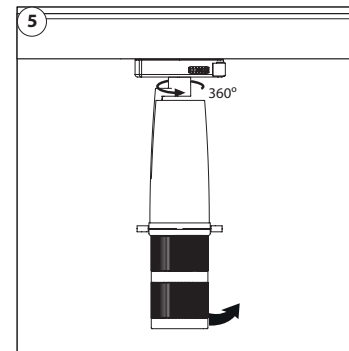
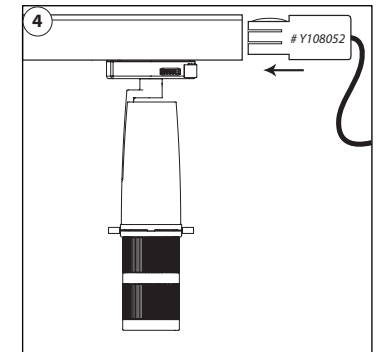
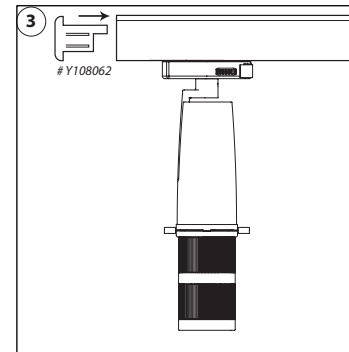
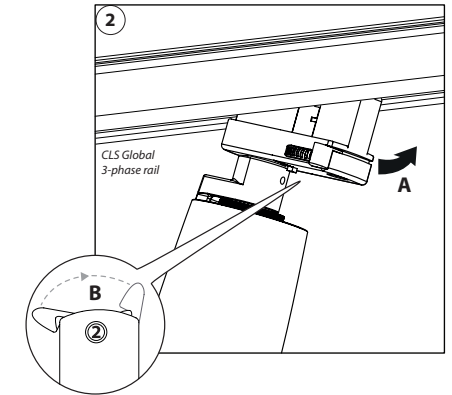
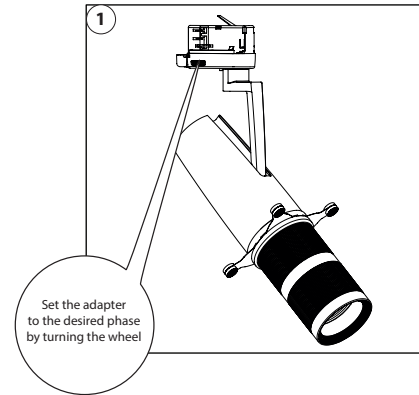
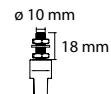
### Casambi adapter



### DMX adapter



### Bolt Mounting

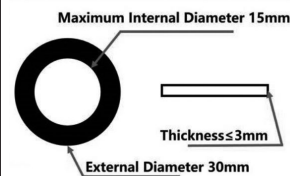


### SPECIFICATIONS

LED: Bridgelux or Xicato  
 Available colours: CRI>90 : 2700K, 3000K, 3500K & 4000K  
 CRI>98 : 2700K, 3000K, 3500K & 4000K  
 Zoom: 25° - 40°  
 Power supply: 100 - 240 VAC (Roto Dim, DMX, W-DMX)  
 200 - 240 VAC (Non Dim, Local Dim)  
 220 - 240 VAC (Casambi)  
 Power consumption: Max. 15 Watt  
 Housing: Black or white coated aluminium  
 Weight: 998 gr  
 IP value: IP20  
 Measurements: See drawing  
 Ambient temperature: -10° C till +40° C

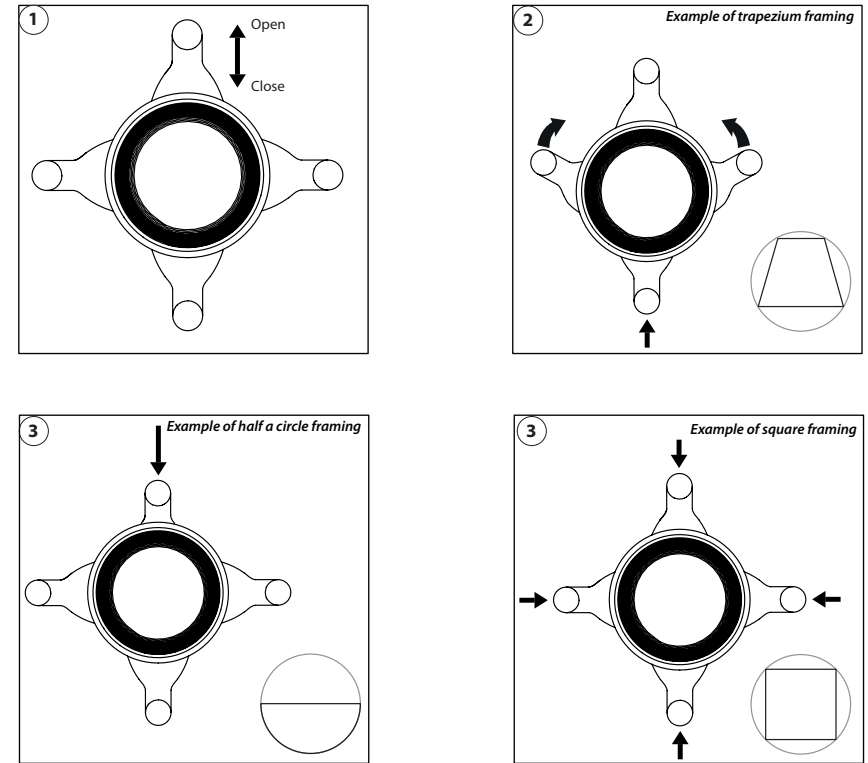
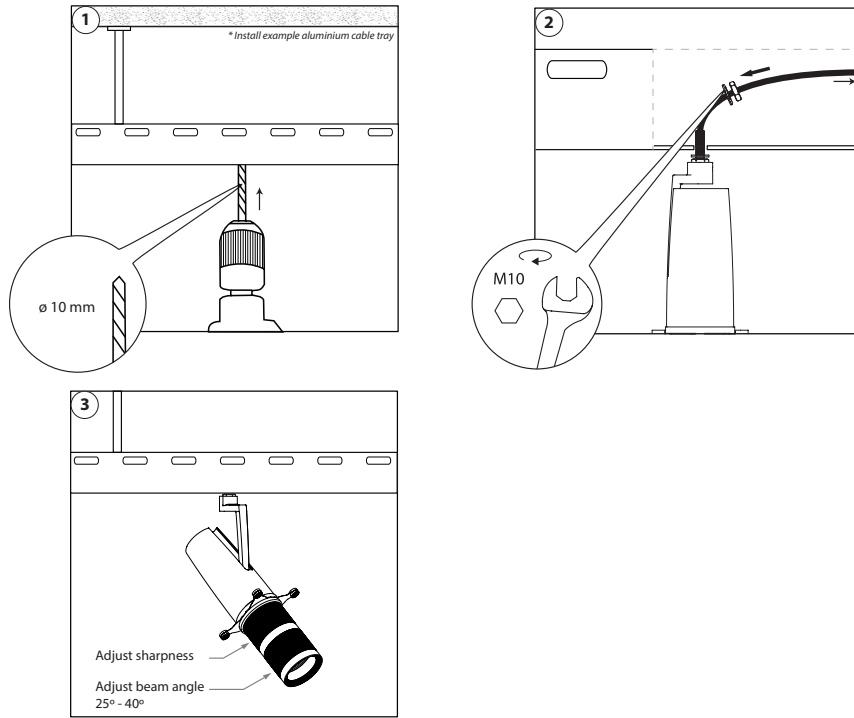
### GOBO SPECIFICATIONS

Max. internal diameter (IA): ø 15 mm  
 External diameter (OD): ø 30 mm  
 Thickness: 3 mm

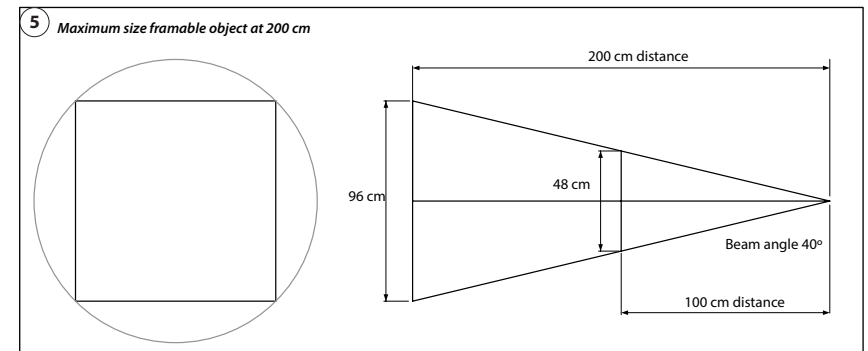
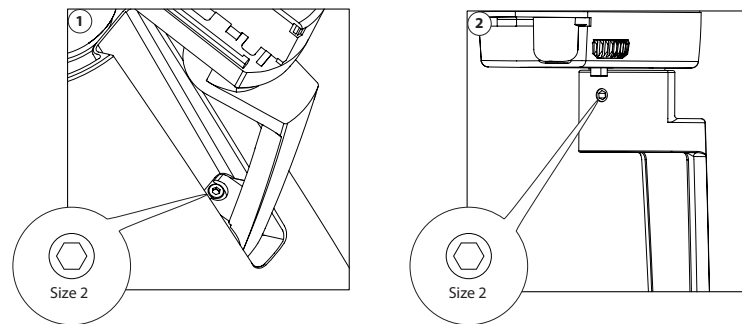


# INSTALLATION PROFILE BOLT

# FRAMING



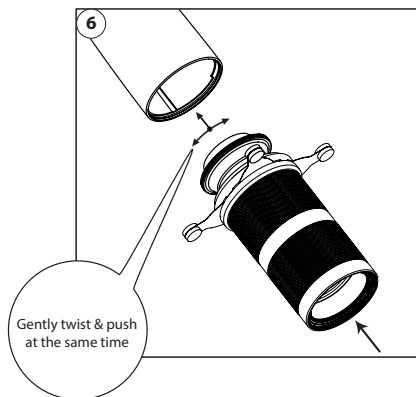
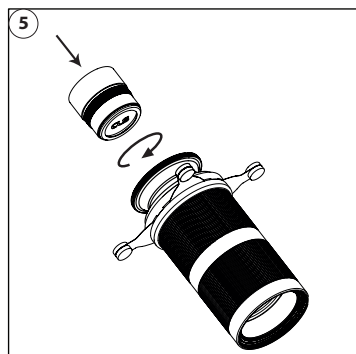
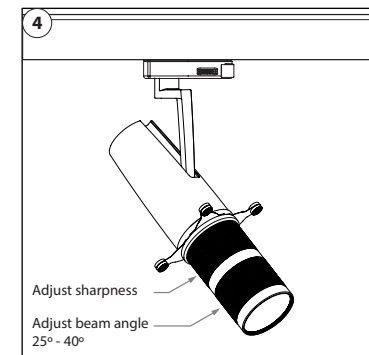
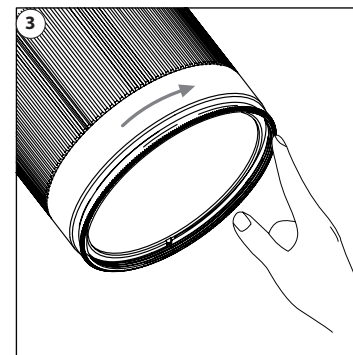
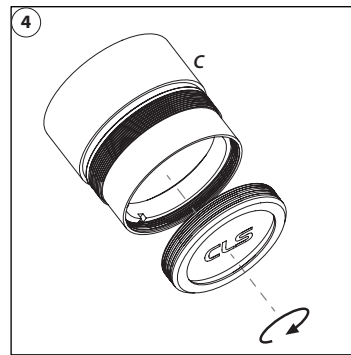
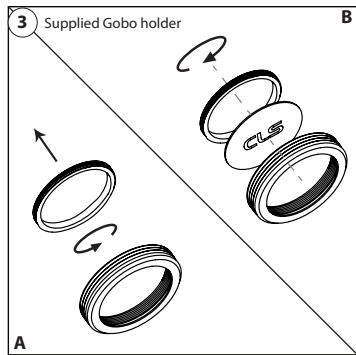
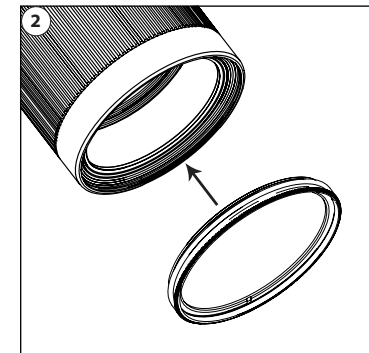
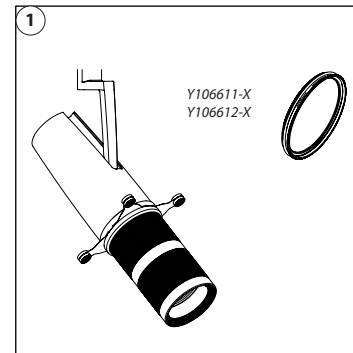
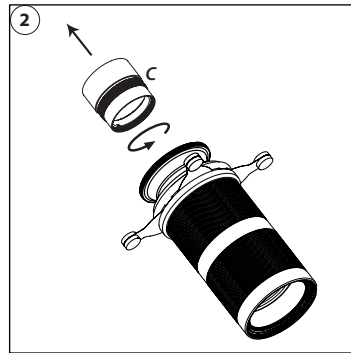
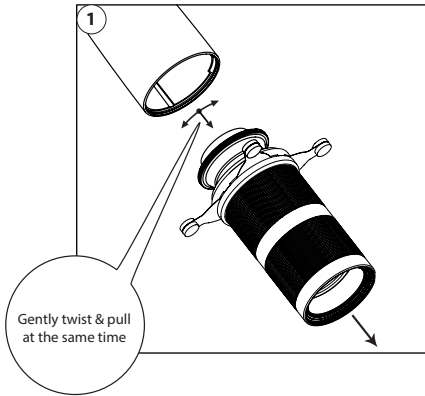
## LOCK POSITION



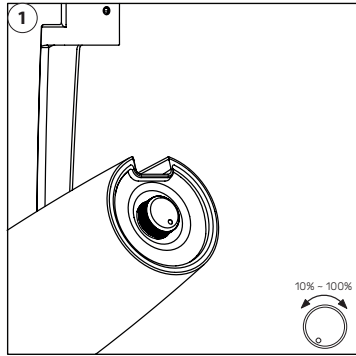
# GOBO PLACEMENT

# FILTER HOLDER ASSEMBLY

Note: Gobo size: ø 30 mm - Thickness 3 mm

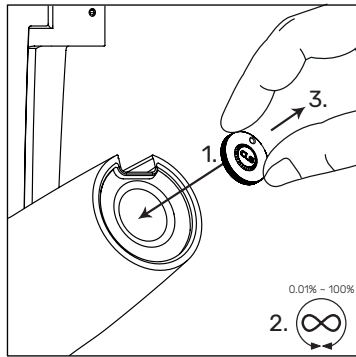


# DIM METHODS



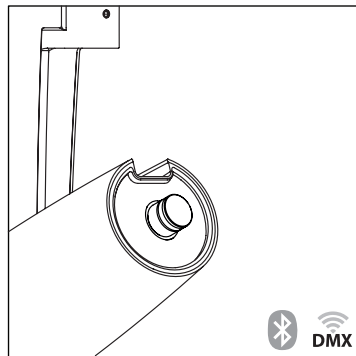
## Local Dim

Local dimming through a potentiometer on the driver housing.



## Roto Dim®

1. Place magnet on the back of the Topaz.
2. Turn right or left for the desired dimming value.
3. Remove the magnet from the Topaz. After approx. 3 seconds the LED will flash one time, confirming the dim value has been stored.
4. The magnet can also remain seated on the back of the Topaz. After approx. 10 seconds the LED will flash one time, confirming the dim value has been stored.



## Wireless (antenna)

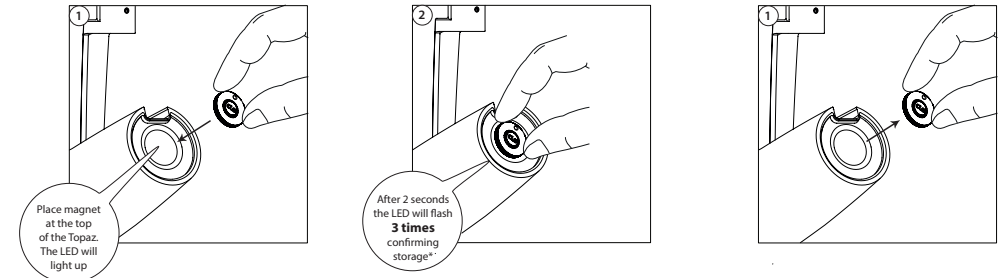
Control by Casambi via bluetooth or Wireless DMX

# PROGRAMMING

All settings can be configured via DMX. Settings can be configured at once or separately. When one or a couple settings needs to be changed just leave all other setting values zero. This keeps those settings unchanged. Please check the table for more information.

Always use a DMX controller with digital interface. If not available, you can purchase the CLS D-ta DMX addresser unit (#122200).

First make sure to set the DATA on the DMX controller. To program the setting into the LED fixture follow the next steps.



\* If the LEDs flashes **10 times**, something went wrong. Please try again. If the problem continues to occur, please contact your local sales distributor.

## WIRELESS DMX

See the Manual of Wireless Solutions. The Manual can be found on our CLS website, in the Downloads section. Or use the link below <https://www.cls-led.com/wp-content/uploads/cls-files/W-DMX-manual.pdf>

### Unlink procedure

When the fixture does not receive a DMX signal (DMX controller off), place the magnet on the bottom of the fixture for 5 seconds. Slow flash indicates that the fixture is unlinked.

## BLUETOOTH BY CASAMBI

For Casambi controlled fixtures, see the manual of Casambi. The Manual can be found on our CLS website, in the Downloads section. Or use the link below:

[https://www.cls-led.com/wp-content/uploads/cls-products/CLS\\_CASAMBI/MANUAL/Manual\\_Casambi\\_controlsistem\\_EN.pdf](https://www.cls-led.com/wp-content/uploads/cls-products/CLS_CASAMBI/MANUAL/Manual_Casambi_controlsistem_EN.pdf)

# PROGRAMMING TABLE

# ACCESSORIES

PROGRAMMING TABLE				
DMX	Function	Data	Parameters	Description
CH1	Set address 001 to 255	0	0 = no change	Use this DMX channel to set address from 1 to 255.
		1...255	DMX address = 1...255	
CH2	Set address 256 to 508	0	No change	Use this DMX channel to set address from 256 to 508
		1...255	DMX address = 256...508	
CH3	Static behavior	0	No change	If no DMX is present the fixture will respond like set in this function.
		1	Last DMX value	
		2	Output off	
		3	Load static values	
CH4	Soft dim	0	No change	When dynamic softdim is activated an extra DMX channel behind the colours and/or master controls the soft dim reaction. If fixed no extra DMX channel is used. Value x delay is x*0.1 seconds, varying from 0.1-25.5 seconds.
		1	Off	
		2	Standard	
		3	Dynamic delay	
		5-255	Fixed delay	
CH10	Static output	0	No change	Each output channel can be set to a static intensity. If no DMX is present and Static behavior is set to "load static values". The outputs will be set to the configured intensity values.
		1	Output off	
		2...255	Intensity 2...255	
CH14	Load default settings	0	No change	This function resets all settings to the Factory setting.
		1	Load Factory settings	
CH17	DMX control	0	No change	The intensity control of the output via DMX can be disabled. To enable it again use RDM or power cycle with magnet in place. Wait until flash sequence and remove the magnet.
		2	Disable	

## ACCESSORIES





Y110855	CLS 3-phase multi adapter grey XTSA 68
Y110865	CLS 3-phase multi adapter white XTSA 68
Y110875	CLS 3-phase multi adapter black XTSA 68
Y110880	CLS T-connector grey for 3-phaserail, ground left
Y110881	CLS T-connector black for 3-phaserail, ground left
Y110882	CLS T-connector white for 3-phaserail, ground left
Y110925	CLS 3-phase rail 1mtr aluminum XTS 4100
Y110926	CLS Global 3-phase rail 2 metre aluminum XTS 4200
Y110927	CLS Global 3-phase rail 2mtr black XTS 4200
Y110928	CLS Global 3-phase rail 3mtr aluminum XTS 4300
Y110929	CLS Global 3-phase rail 4mtr aluminum XTS 4100
Y110930	CLS Global 3-phase rail 3mtr white XTS 4300
Y110931	CLS Global 3-phase rail 3mtr black XTS 4300
Y110932	CLS Global 3-phase rail 4mtr black XTS 4400
Y110935	CLS end piece for 3-phase rail grey XTS 41
Y110938	CLS end piece for 3-phase rail black XTS 41
Y110939	CLS end piece for 3-phase rail white XTS 41-3
Y110945	CLS connection box for 3-phase rail, grey XTS 11
Y110946	CLS connection box for 3-phase rail, grey XTS 12
Y110950	CLS connection box for 3-phase rail black XTS 11

Y110954	CLS L-connector grey for 3-faserail, ground left
Y110954	CLS L-connector grey for 3-faserail, ground left
Y110955	CLS L-connector grey for 3-faserail, ground right
Y110960	CLS connect piece gray (connect rail-rail) XTS
Y110961	CLS connect piece white (connect rail-rail) XTS21
Y110962	CLS connect piece black (connect rail-rail) XTS
Y110965	CLS hanging bracke for 3-phase rail, grey SKB16
Y110966	CLS hanging set, grey SKB12 with 1.5 mtr steel
Y110970	CLS bending tool XTSV 12
Y110980	CLS round mountingdisk GA70 grey
Y110985	CLS round mountingdisk GA70 white
Y110990	CLS round mountingdisk GA70 black

Y106611-B	CLS Topaz Profile soft diffusion filter set black
Y106611-W	CLS Topaz Profile soft diffusion filter set white
Y106612-B	CLS Topaz Profile filterholder black
Y106612-W	CLS Topaz Profile filterholder white
Y106018	CLS Roto Dim magnet
Y106019	CLS Roto Dim magnet with keycord

## ACCESSORY OVERVIEW

If you want the accessories shown in the left column, you need to combine the articles marked with the ✓\*

		
	Y106611	Y106612
	✓	
Soft Diffusion set		
		✓
Framing Filter holder		

\*All accessories can be combined together

# LIST OF SYMBOLS

	<b>Protection class</b> One, two or three		<b>Retail &amp; Food LED modules</b> Clothing, furniture, kitchens, jewellery, shoes, bread, meat, fish and vegetables & fruit.
	<b>Application area</b> Indoor or outdoor		<b>Colour</b> Available colours: Amber, blue, red or green
	<b>Application area</b> Floor, wall or ceiling		<b>White colour temperature</b> In different Kelvin values: Cold white, neutral white, warm white or extra warm white
	<b>Swivel</b> Fixture is horizontally rotatable, indicated in degrees		<b>Curve</b> Minimal bending curve in centimeters
	<b>Swivel</b> Fixture is vertically rotatable, indicated in degrees		<b>Cutting length</b> Indicated by the cutting marks
	<b>Multiple connection</b> Daisychain connectivity		<b>LED pitch</b> Pitch between the LEDs in millimeters
	<b>Installation depth</b> In centimeters		<b>Power supply</b> In VDC, VAC or milliAmpere
	<b>Installation size</b> In centimeters		<b>Power consumption</b> In VA or Watt
	<b>Cable length</b> Maximum cable attached to the fixture in centimeters		<b>Dimmable</b> 1-10 Volt, Phase, individual, DMX dimmable or DALI
	<b>Driver</b> Inclusive or exclusive Internal or external		<b>PWM dimming</b> Traditional PWM dimming, DMX analog or DMX Hybrid dim
	<b>Weight</b> In grams/kilograms		<b>Bluetooth controlled</b> By Casambi
	<b>Pressure</b> Maximum pressure on the fixture in kg/cm <sup>2</sup>		<b>Magne dimming</b> Accurate dimming from 100 - 1% by using a magnet
	<b>Lifespan</b> Of the light source in hours		<b>Dynamic Control</b> Dynamic Power Control or Dynamic Temperature Control
	<b>Lenses</b> Available lenses, indicated in degrees		<b>DMX input</b> Fixture works on DMX512 protocol or Wireless DMX
	<b>Performance Zoom</b> Adjustable beam angle		<b>Combined product</b> Compose your own fixture
	<b>LEDs</b> Kind of LED used in the fixture		<b>Warranty</b> 3 or 5 years warranty on the product
	<b>Plug &amp; play</b> Easy connection using the SmartConnect system		<b>Conformité Européenne</b> CE marking for free marketability of industrial goods within the EU
	<b>IP value</b> Ingress Protection classifies the degrees of protection provided against the intrusion of the product		<b>Energy label</b>
	<b>Colour changing</b> RGB, RGB-W, RGB-A, AWB or Tunable White		<b>Lightsource</b> Equipped with a CLS, Bridgelux or a Xicato LED module

2024 CLS-LED BV. All rights reserved. Information subject to change without notice, CLS-LED BV and all affiliated companies disclaim liability for injury, damage direct or indirect loss, consequential or economic loss or any other loss occasioned by the use of, inability to use or reliance on the information contained in this manual. No part of this manual may be reproduced, in any form or by any means, without permission in writing from CLS-LED BV. Other legal information can be found in our General conditions, found on the back of your CLS-LED BV invoice, inside the CLS catalogue or on our website [www.cls-led.com/General-Terms.pdf](http://www.cls-led.com/General-Terms.pdf)