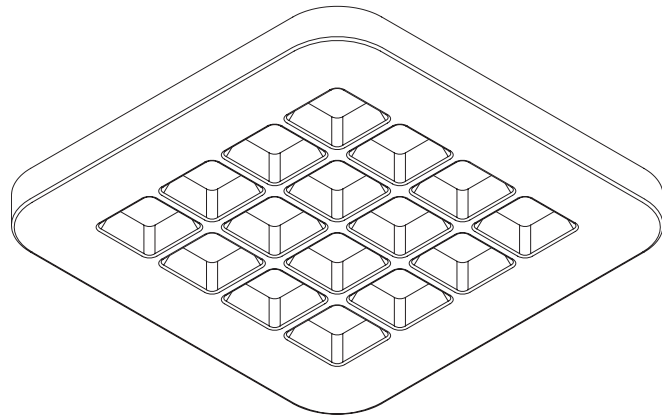


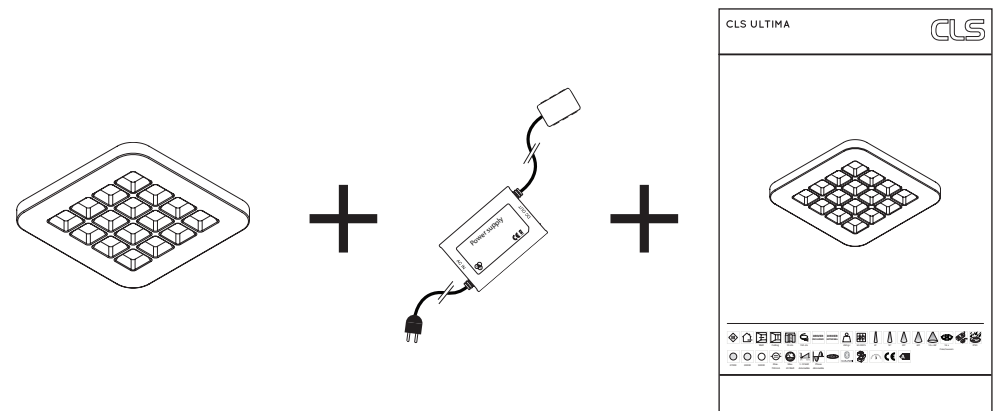
Index	2	Installation	4	Wiring diagram DALI dim drivers	9
Safety information	2	Wiring diagram Non dim drivers	5	Wiring diagram LDC-41 dimmer	10
Content	2	Wiring diagram Mains dim drivers	6	List of symbols	11
Technical	3	Wiring diagram 1-10V dim drivers	7		
Specifications	3	Wiring diagram Casambi Bluetooth	8		



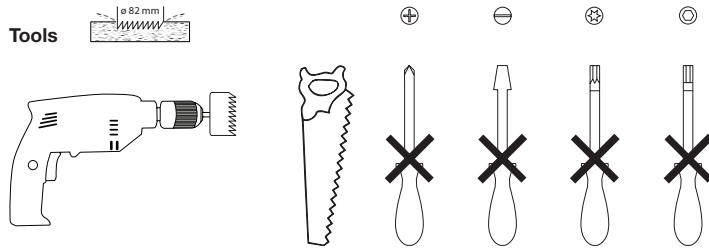
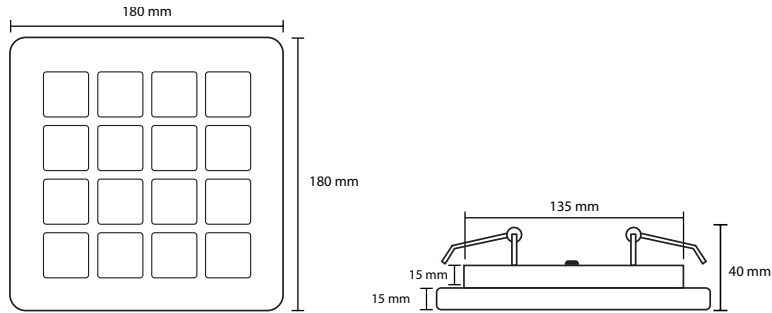
## SAFETY INFORMATION

<p><b>Always switch off mains power of the driver before connecting or maintaining any fixtures!</b></p>	<p>Make sure all connectors are connected properly</p>	<p>Use a source of AC power that complies to local electrical codes</p>	<p>Block access below the work area when maintaining the unit</p>	<p>Do not stare into the LED</p>	<p>Ambiance Max. 40°</p>	<p>Qualified technician</p>
	<p>Don't modify or install genuine parts on this product</p>	<p>Don't install in a flammable or explosive area</p>	<p>Warning! Some surfaces can be hot</p>			

## CONTENT



#58021

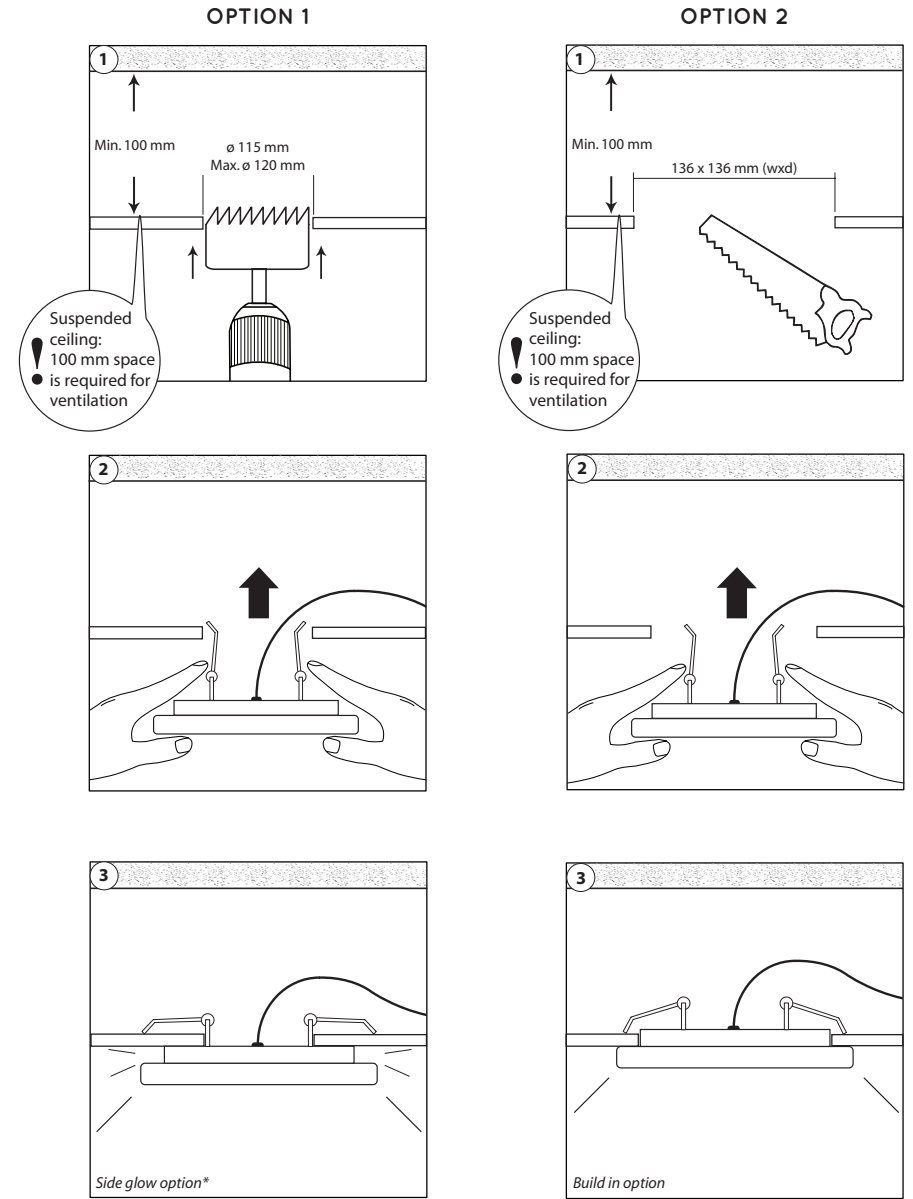



**SPECIFICATIONS**

LED: 16 x Cree or Luxeon  
 Available colours: 2700K, 3000K & 5000K.  
 Lenses: 8°, 12°, 30°, 60° & 12 x 46°  
 Power supply: Max. 700mA  
 Power consumption: Max. 20 Watt  
 Housing: PC / ABS  
 Weight: 450 gr  
 IP value: IP20  
 Measurements: 40 x 180 x 180mm (hxwxwd)  
 Ambient temperature: -10° C till +40° C

**ACCESSORIES**

113002 CLS LDC-41 GIII DMX LED dimmer 4 Ch. 0.35-1A per channel  
 87129900 CLS SmartConnect 2-fold junctionbox & shortcircuit connect.  
 87129905 CLS SmartConnect 6-fold junctionbox & shortcircuit connect.  
 87129915 CLS SmartConnect short circuit plugs (10pcs)  
 87129959 CLS SmartConnect extensioncable betw. 2 junctionboxes  
 872010 CLS Dimmer electr. 1-10V  
 872019 CLS Dimmer Jung phase cut max. 270VA 230-240VAC  
 874004 CLS ND 004 non dim, 198 - 264 V, 250-1050mA driver  
 874003 CLS ND UNI non dim driver, 220 - 240 V, 300-1050mA driver  
 874104 CLS MD 004 mains dim, 198-264V, 250-700mA driver  
 874201 CLS VD 001, 1-10V dim, 99-264 V, 350-900mA driver  
 874204 CLS VD 004, 1-10V dim, 99-264 V, 350-900mA driver  
 874208 CLS VD 008, 1-10V dim, 99-264 V, 250-700mA driver  
 874301 CLS DD 001, DALI dim, 99-264 V, 250-700mA driver  
 874304 CLS DD 004, DALI dim, 99-264 V, 350-700mA driver  
 875014 CLS CD UNI driver, 230V, Casambi Bluetooth control, 300-700mA driver  
 911367 CLS LDC SmartConnect block LDC to SmartConnect system

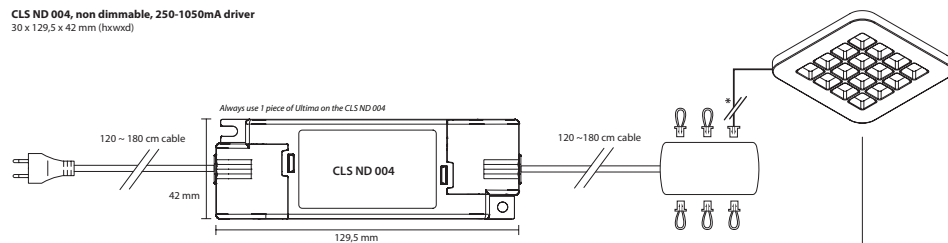


\* Only when transparent back is selected.

# WIRING DIAGRAM NON DIM DRIVER

**!** Always switch off mains power of the driver before connecting any fixtures!

**CLS ND 004, non dimmable, 250-1050mA driver**  
30 x 129,5 x 42 mm (hxwxd)



\* 150 cm cable  
Installation wire 2 x 0.5 mm<sup>2</sup>  
Driver till last Ultima total cable length is max. 10 m

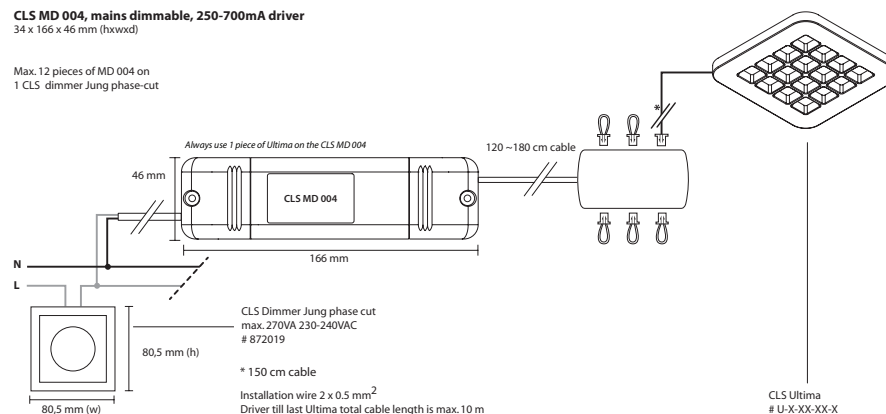
CLS Ultima  
# U-X-XX-XX-X

# WIRING DIAGRAM MAINS DIM DRIVER

**!** Always switch off mains power of the driver before connecting any fixtures!

**CLS MD 004, mains dimmable, 250-700mA driver**  
34 x 166 x 46 mm (hxwxd)

Max. 12 pieces of MD 004 on  
1 CLS dimmer Jung phase-cut



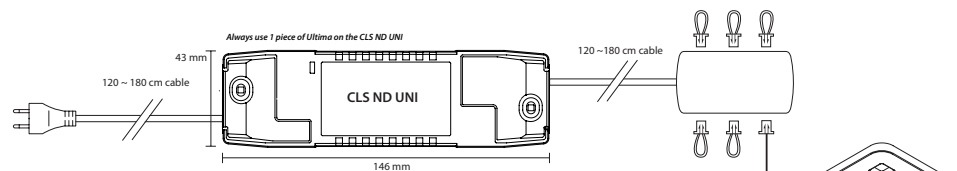
N  
L

CLS Dimmer Jung phase cut  
max. 270VA 230-240VAC  
# 872019

\* 150 cm cable  
Installation wire 2 x 0.5 mm<sup>2</sup>  
Driver till last Ultima total cable length is max. 10 m

CLS Ultima  
# U-X-XX-XX-X

**CLS ND UNI, non dimmable, 300-1050mA driver**  
22 x 146 x 43 mm (hxwxd)



\* 150 cm cable  
Installation wire 2 x 0.5 mm<sup>2</sup>  
Driver till last Ultima total cable length is max. 10 m

CLS Ultima  
# U-1-XX-XX-X

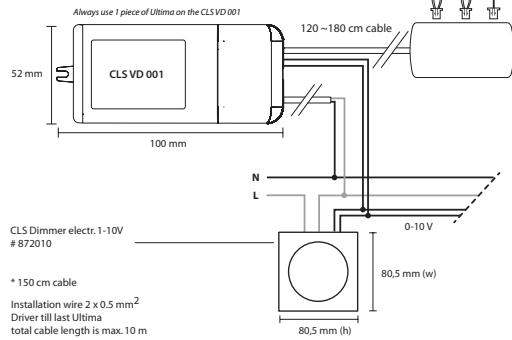
# WIRING DIAGRAM 1-10V DIM DRIVER

**! Always switch off mains power of the driver before connecting any fixtures!**

**CLS VD 001, 1-10V dimmable, 350-900mA driver**  
22 x 100 x 52 mm (hwxwd)

CLS Ultima  
# U-X-XX-XX-X

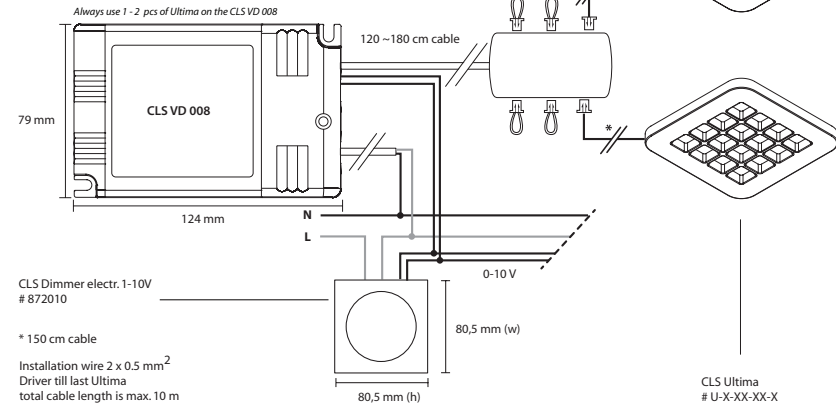
Max. 12 pieces of VD 001 on  
1 CLS Dimmer electr. 1-10V



**! Always switch off mains power of the driver before connecting any fixtures!**

**CLS VD 008, 1-10V dimmable, 250-700mA driver**  
22 x 124 x 79 mm (hwxwd)

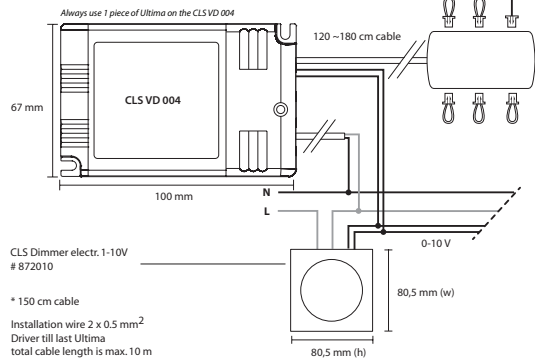
Max. 12 pieces of VD 008 on  
1 CLS Dimmer electr. 1-10V



**CLS VD 004, 1-10V dimmable, 350-900mA driver**  
21 x 103 x 67 mm (hwxwd)

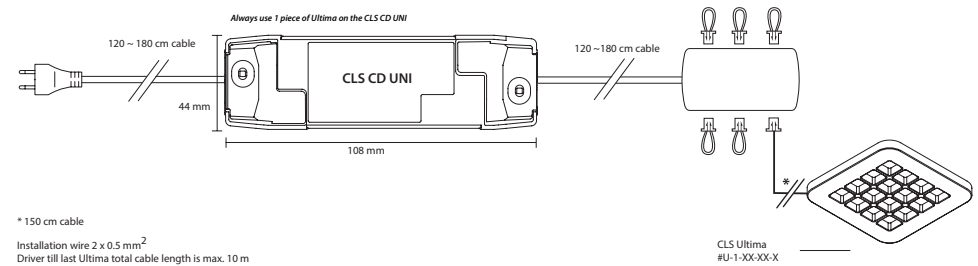
CLS Ultima  
# U-X-XX-XX-X

Max. 12 pieces of VD 004 on  
1 CLS Dimmer electr. 1-10V



# WIRING DIAGRAM CASAMBI BLUETOOTH CONTROL

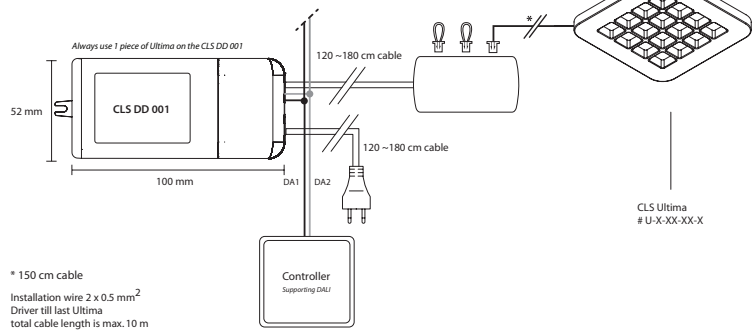
**CLS CD UNI, Casambi Bluetooth, 350-700mA driver**  
30 x 108 x 44 mm (hwxwd)



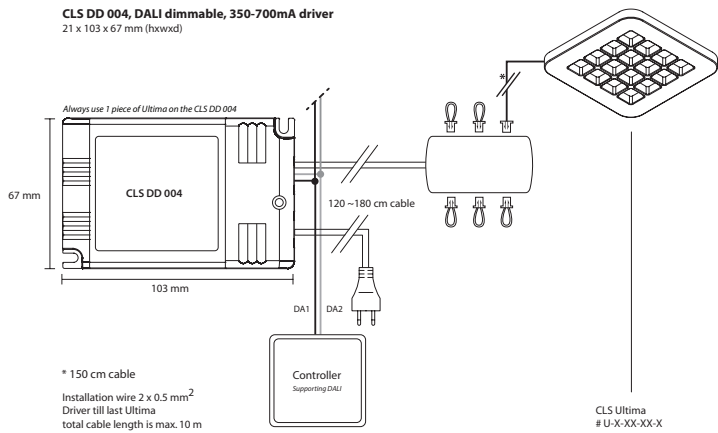
# WIRING DIAGRAM DALI DIM DRIVER

**! Always switch off mains power of the driver before connecting any fixtures!**

**CLS DD 001, DALI dimmable, 250-700mA driver**  
22 x 100 x 52 mm (hxwxwd)



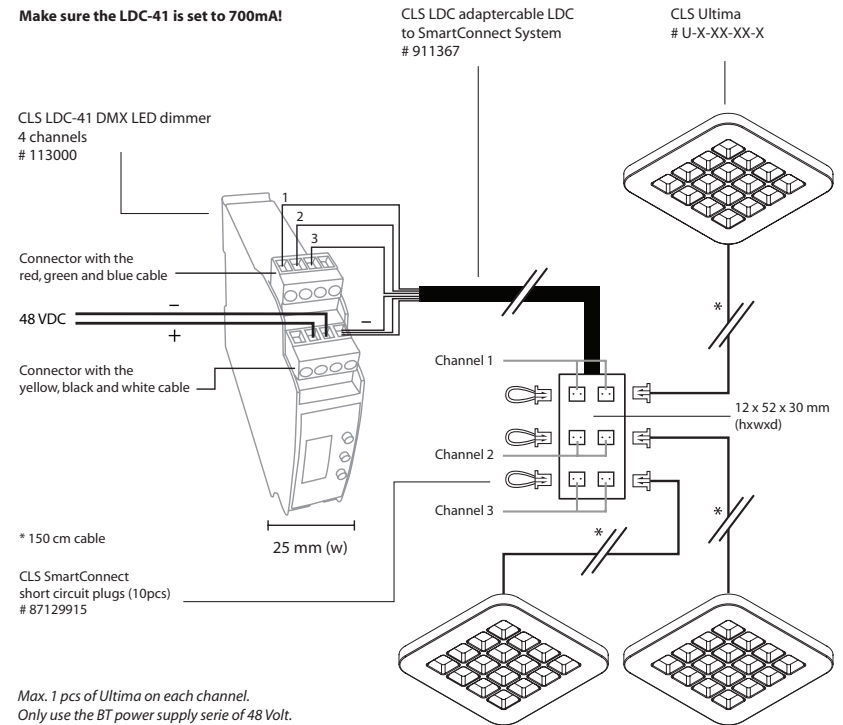
**CLS DD 004, DALI dimmable, 350-700mA driver**  
21 x 103 x 67 mm (hxwxwd)



# WIRING DIAGRAM LDC-41 DIMMER

**! Always switch off mains power of the driver before connecting any fixtures!**

**Make sure the LDC-41 is set to 700mA!**



**SmartConnect System**  
Installation wire 2 x 0.5 mm<sup>2</sup>  
Driver till last Ultima total cable length is max. 10 m

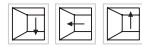
# LIST OF SYMBOLS



**Protection class**  
One, two or three



**Application area**  
Indoor or outdoor



**Application area**  
Floor, wall or ceiling



**Swivel**  
Fixture is horizontally rotatable, indicated in degrees



**Swivel**  
Fixture is vertically rotatable, indicated in degrees



**Multiple connection**  
Daisychain connectivity



**Installation depth**  
In centimeters



**Installation size**  
In centimeters



**Cable length**  
Maximum cable attached to the fixture in centimeters



**Driver**  
Inclusive or exclusive internal or external



**Weight**  
In grams/kilograms



**Pressure**  
Maximum pressure on the fixture in kg/cm<sup>2</sup>



**Lifespan**  
Of the light source in hours



**Lenses**  
Available lenses, indicated in degrees



**Performance Zoom**  
Adjustable beam angle



**LEDs**  
Kind of LED used in the fixture



**Plug & play**  
Easy connection using the SmartConnect system



**IP value**  
Ingress Protection classifies the degrees of protection provided against the intrusion of the product



**Colour changing**  
RGB, RGB-W, RGB-A, AWB or Tunable White



**Retail & Food LED modules**  
Clothing, furniture, kitchens, jewellery, shoes, bread, meat, fish and vegetables & fruit.



**Colour**  
Available colours:  
Amber, blue, red or green



**White colour temperature**  
In different Kelvin values:  
Cold white, neutral white, warm white or extra warm white



**Curve**  
Minimal bending curve in centimeters



**Cutting length**  
Indicated by the cutting marks



**LED pitch**  
Pitch between the LEDs in millimeters



**Power supply**  
In VDC, VAC or milliAmpere



**Power consumption**  
In VA or Watt



**Dimmable**  
1-10 Volt, Phase, individual, DMX dimmable or DALI



**PWM dimming**  
Traditional PWM dimming, DMX analog or DMX Hybrid dim



**Bluetooth controlled**  
By Casambi



**Magne dimming**  
Accurate dimming from 100 - 1% by using a magnet



**Dynamic Control**  
Dynamic Power Control or Dynamic Temperature Control



**DMX input**  
Fixture works on DMX512 protocol or Wireless DMX



**Combined product**  
Compose your own fixture



**Warranty**  
3 or 5 years warranty on the product



**Conformité Européenne**  
CE marking for free marketability of industrial goods within the EU



**Energy label**



**Lightsource**  
Equipped with a CLS, Citizen or a Xicato LED module

2020 CLS-LED BV. All rights reserved. Information subject to change without notice. CLS-LED BV and all affiliated companies disclaim liability for injury, damage direct or indirect loss, consequential or economic loss or any other loss occasioned by the use of, inability to use or reliance on the information contained in this manual. No part of this manual may be reproduced, in any form or by any means, without permission in writing from CLS-LED BV. Other legal information can be found in our General conditions, found on the back of your CLS-LED BV invoice, inside the CLS catalogue or on our website [www.cls-led.com/General-Terms.pdf](http://www.cls-led.com/General-Terms.pdf)