



# Pantograph 4.0m Drop

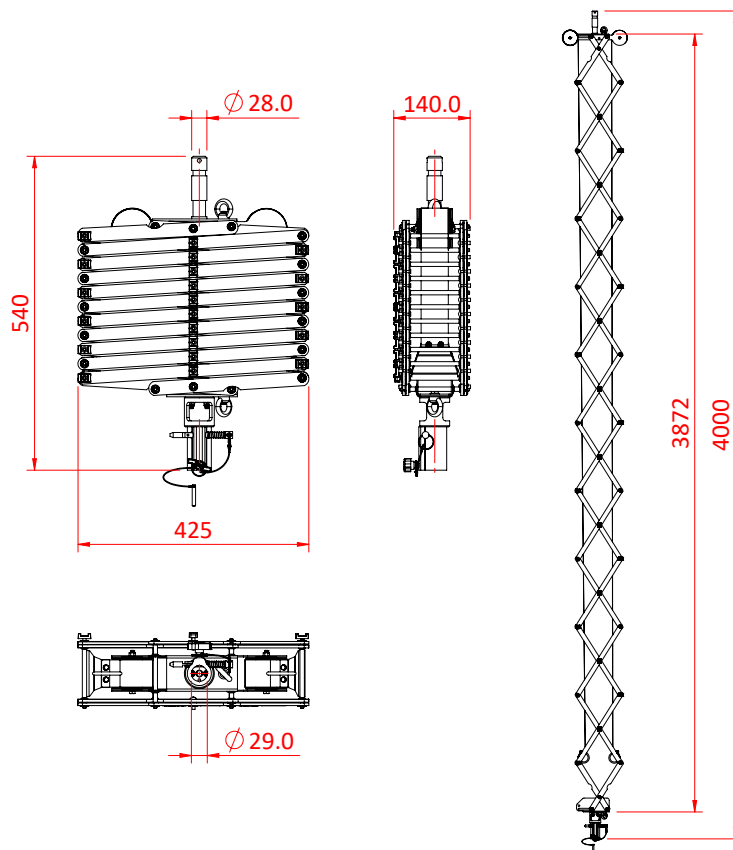
## Product Data Sheet



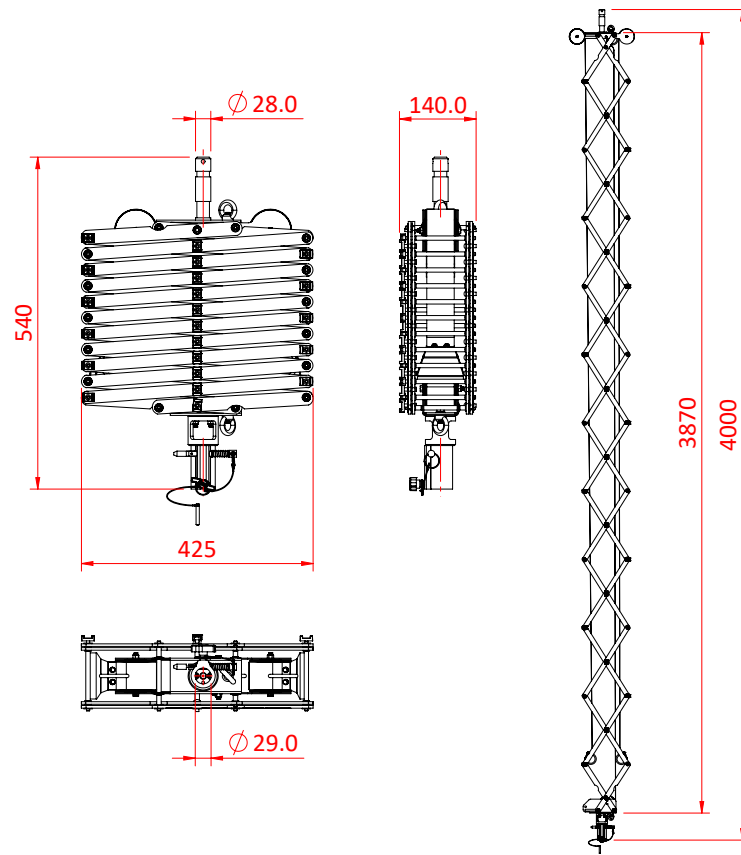
A 4.0m Doughty Sprung Pantograph	
<b>Part Nos</b>	G1664 - 2 Springs - 12Kg G1674 - 3 Springs - 13.7Kg G1684 - 4 Springs - 15.3Kg G1694 - 5 Springs - 16.85Kg
<b>Top Mounting</b>	Ø28mm spigot
<b>Bottom Fixing</b>	Ø29mm receiver
<b>WLL</b>	G1664 - 12Kg G1674 - 20Kg G1684 - 27Kg G1694 - 36Kg

**G1664**

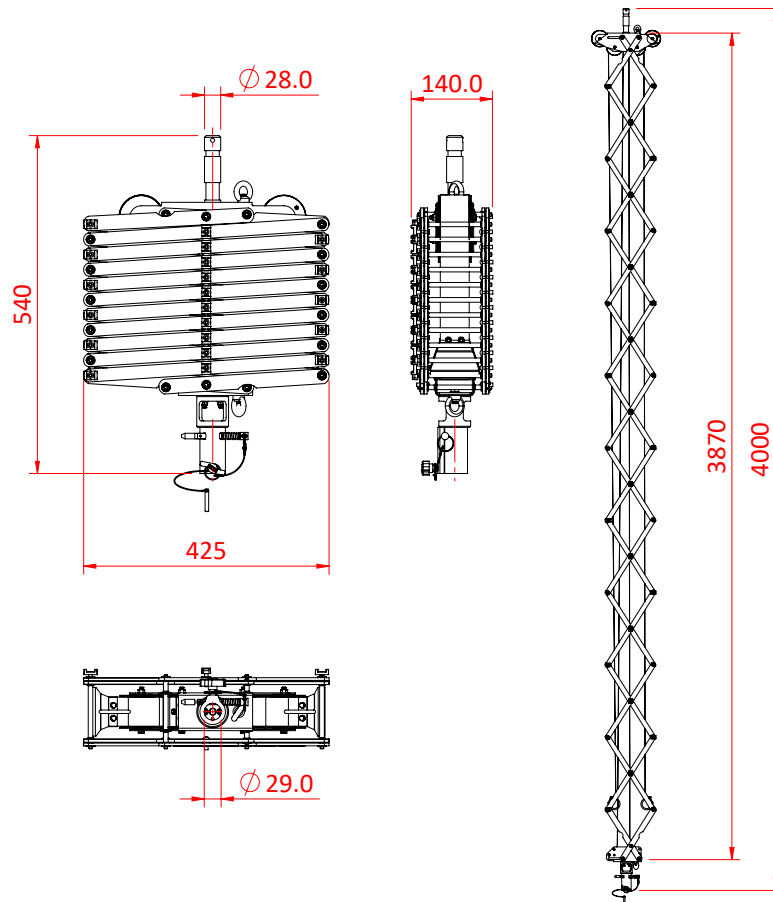
Dimensions in mm



# G1674



# G1684



# G1694

