

ELATION[®]



FRESNEL 8 FC PO

User Manual

©2024 ELATION PROFESSIONAL all rights reserved. Information, specifications, diagrams, images, and instructions herein are subject to change without notice. ELATION PROFESSIONAL logo and identifying product names and numbers herein are trademarks of ELATION PROFESSIONAL. Copyright protection claimed includes all forms and matters of copyrightable materials and information now allowed by statutory or judicial law or hereinafter granted. Product names used in this document may be trademarks or registered trademarks of their respective companies and are hereby acknowledged. All non-ELATION brands and product names are trademarks or registered trademarks of their respective companies.

ELATION PROFESSIONAL and all affiliated companies hereby disclaim any and all liabilities for property, equipment, building, and electrical damages, injuries to any persons, and direct or indirect economic loss associated with the use or reliance of any information contained within this document, and/or as a result of the improper, unsafe, insufficient and negligent assembly, installation, rigging, and operation of this product.

Elation Professional USA | 6122 S. Eastern Ave. | Los Angeles, CA. 90040
 323-582-3322 | 323-832-9142 fax | www.elationlighting.com | info@elationlighting.com

Elation Professional B.V. | Junostraat 2 | 6468 EW Kerkrade, The Netherlands
 +31 45 546 85 66 | +31 45 546 85 96 fax | www.elationlighting.eu | info@elationlighting.eu

Elation Professional Mexico | AV Santa Ana 30 | Parque Industrial Lerma, Lerma, Mexico 52000
 +52 (728) 282-7070

DOCUMENT VERSION



Due to additional product features and/or enhancements, an updated version of this document may be available online. Please scan the QR Code with your mobile device or visit www.elationlighting.com for the latest revision/update of this manual, before installation and/or programming.

Date	Document Version	Software Version	DMX Channel Mode	Notes
07/13/21	1.0	1.0.1	1/6/11/18/9/14	Initial Release
12/24/24	1.1	1.10	1/4/6/10/11/18/ 19/9/14/15/13	Updated System Menu, Encoder Mode, DMX Traits, Specifications; Added RDM, ColourTune

CONTENTS

General Information	4
Warranty Returns (USA Only)	5
Safety Guidelines	6
Maintenance Guidelines	8
Overview	9
Fixture Installation	10
Accessory Installation	12
ColourTune Technology	14
Control Panel	15
System Menu	16
Encoder Mode	19
DMX Traits	20
Dimmer Modes & Curves	26
Color Temperature Chart	27
Color Macros Chart	28
Remote Device Management (RDM)	29
Dimensional Drawings	30
Specifications	31
Ordering Information Error Codes	32

GENERAL INFORMATION

INTRODUCTION

Please read and understand the instructions in this manual carefully and thoroughly before attempting to operate this device. These instructions contain important safety and use information.

UNPACKING

Every device has been thoroughly tested and has been shipped in perfect operating condition. Carefully check the shipping carton for damage that may have occurred during shipping. If the carton is damaged, carefully inspect the device for damage, and be sure all accessories necessary to install and operate the device have arrived intact. In the event that damage has been found or parts are missing, please contact our customer support team for further instructions. Please do not return this device to your dealer without first contacting customer support. Please do not discard the shipping carton in the trash. Please recycle whenever possible.

BOX CONTENTS

Gel Frame (x1)
Barn Doors (x1)
Junior Pin (1 1/8" - 28mm) (x1)
Locking Power Cable (x1)

CUSTOMER SUPPORT

Contact ELATION Service for any product related service and support needs. Also visit forums.elationlighting.com with questions, comments, or suggestions.

ELATION SERVICE USA - Monday - Friday 8:00am to 4:30pm PST
323-582-3322 | Fax 323-832-9142 | support@elationlighting.com

ELATION SERVICE EUROPE - Monday - Friday 08:30 to 17:00 CET
+31 45 546 85 63 | Fax +31 45 546 85 96 | support@elationlighting.eu



IMPORTANT NOTICE!

THERE ARE NO USER SERVICEABLE PARTS INSIDE THIS UNIT. DO NOT ATTEMPT ANY REPAIRS YOURSELF, AS DOING SO WILL VOID YOUR MANUFACTURER'S WARRANTY. DAMAGES RESULTING FROM MODIFICATIONS TO THIS FIXTURE AND/OR THE DISREGARD OF SAFETY INSTRUCTIONS AND GUIDELINES IN THIS MANUAL VOID THE MANUFACTURER'S WARRANTY AND ARE NOT SUBJECT TO ANY WARRANTY CLAIMS AND/OR REPAIRS.

WARRANTY RETURNS (USA ONLY)

To obtain warranty service, a Return Materials Authorization (RMA) number must first be obtained from ELATION. It is the Customer's responsibility to provide product proof of purchase and serial number by acceptable evidence such as an invoice copy or an approved ELATION Extended Warranty Certificate ("EWC") and any relevant maintenance records at the time warranty service is sought. Failure to provide acceptable evidence of product proof of purchase or EWC and any relevant maintenance records may be cause for denial of warranty service.

Products returned for warranty service must be sent without any accessories (i.e., power, data, and safety cables, brackets, clamps, rigging hardware, frost filters, gel frames, barn doors, lenses, hoses, nozzles, rack mounting hardware, etc.), must be boxed using the original and/or suitable packaging materials (double-box and foam) that provides ample product protection for ground and/or air freight transit, and must be shipped freight pre-paid and insured to ELATION in Los Angeles, CA or an ELATION Authorized Service Center. The RMA number must be clearly written on the outside of the return box, and a brief description of the problem and the RMA number must be documented and included in the box.

Products returned for warranty service without an RMA number clearly marked on the outside of the package will be refused and returned to the shipper at the Customer's expense. Products returned for warranty service, which are received damaged due to inadequate and/or improper packaging and/or due to damage caused by shipping carrier, may incur additional repair charges before warranty service begins and/or may void this warranty. If any product accessories (included and/or optional) are shipped with the product, ELATION and/or the ELATION Authorized Service Center shall have no liability what so ever for the loss and/or damage to any such accessories, nor the safe return thereof. If the requested warranty repairs or service (including parts replacement) are within the terms of this warranty, ELATION will pay return ground transportation shipping charges to a single designated point within the United States.

SAFETY GUIDELINES

This fixture is a sophisticated piece of electronic equipment. To guarantee smooth operation, it is important to follow all instructions and guidelines in this manual. Elation Professional is not responsible for injury and/or damages resulting from the misuse of this fixture due to the disregard of the information printed in this manual. Only qualified and/or certified personnel should perform installation of this fixture and only the original rigging parts included with this fixture should be used for installation. Any modifications to the fixture and/or the included mounting hardware will void the original manufacturer's warranty and increase the risk of damage and/or personal injury.



PROTECTION CLASS 1 - FIXTURE MUST BE PROPERLY GROUNDED.



THERE ARE NO USER SERVICEABLE PARTS INSIDE THIS UNIT. DO NOT ATTEMPT ANY REPAIRS YOURSELF. DOING SO WILL VOID YOUR MANUFACTURER'S WARRANTY. DAMAGES RESULTING FROM MODIFICATIONS TO THIS DEVICE AND/OR THE DISREGARD OF SAFETY INSTRUCTIONS AND GUIDELINES IN THIS MANUAL VOID THE MANUFACTURER'S WARRANTY AND ARE NOT SUBJECT TO ANY WARRANTY CLAIMS AND/OR REPAIRS.



**DO NOT PLUG THIS UNIT INTO A DIMMER PACK
DO NOT REMOVE THE COVER UNDER ANY CONDITIONS
NEVER OPERATE THIS UNIT WITH THE CASING REMOVED
UNPLUG FROM POWER DURING LONG PERIODS OF NON-USE
DISCONNECT POWER BEFORE PERFORMING MAINTENANCE**



**NEVER LOOK DIRECTLY INTO THE LIGHT SOURCE!
RETINA INJURY RISK - MAY INDUCE BLINDNESS!
SENSITIVE PERSONS MAY SUFFER AN EPILEPTIC SHOCK!**



**FOR USE IN INDOOR OR DRY LOCATIONS ONLY!
DO NOT EXPOSE TO RAIN AND/OR MOISTURE!**



**FIXTURE SHOULD BE PLACED A MINIMUM OF 1.0 FOOT (0.3 METERS) FROM ANY NEARBY OBJECTS OR SURFACES.
FIXTURE SHOULD BE PLACED A MINIMUM OF 1.6 FEET (0.5 METERS) FROM ANY FLAMMABLE MATERIALS.
MAXIMUM AMBIENT OPERATING TEMPERATURE IS 113°F (45°C)**

IP20

**IP20 RATING
PROTECTED AGAINST SOLID OBJECTS OF FINGER-SIZE OR LARGER
NOT PROTECTED AGAINST LIQUID INTRUSION OF ANY KIND!**

SAFETY GUIDELINES

For Your Own Personal Safety, Please Read and Understand This Manual Completely Before You Attempt To Install Or Operate This Unit!

- **IP20 Rating: Fixture is protected against intrusion by solids measuring roughly 12.5mm in size or larger, such as human fingers. THE FIXTURE IS NOT PROTECTED AGAINST LIQUIDS OR MOISTURE OF ANY KIND!**
- Do not touch the fixture housing during operation, as it may be hot.
- Do not shake the fixture, and avoid using brute force when installing and/or operating.
- Use only the original packaging and materials to transport or ship the fixture for service. Make sure to retain the original packaging for this purpose.
- Be sure that the local power outlet matches the required voltage for the device.
- Do not open up the device for any reason. There are no user serviceable parts inside.
- Disconnect the device's main power when left unused for long periods of time.
- Never connect this device to a dimmer pack.
- Do not attempt to operate this device if it has been damaged in any way.
- Never operate this device with the cover removed.
- Do not attempt to operate this device if the power cord has been frayed or broken.
- Never force a power cord connector into the fixture. If the power cord or any of its connectors are damaged, replace immediately with a new cord of the same power rating.
- Do not attempt to remove or break off the ground prong from the electrical cord. This prong is used to reduce the risk of electrical shock and fire in case of an internal short.
- Only handle the power cord by the plug end. Never disconnect the plug by tugging on the wire portion of the power cord.
- Disconnect from main power before making any type of connection.
- Never block the air ventilation slots. Always be sure to mount this device in an area that will allow proper ventilation. Allow about 6" (15cm) between this device and a wall.
- Always mount this unit in a safe and stable matter.
- Please route your power cord out of the way of foot traffic. Power cords should be routed so they are not likely to be walked on or pinched by items placed upon or against them.
- Before performing any servicing, turn off and disconnect the device from power and allow at least 15 minutes for the device to cool.
- Consistent operational breaks will ensure that this fixture will function properly for many years.
- The device should be serviced by qualified service personnel when:
 - A. The power-supply cord or the plug has been damaged.
 - B. Objects have fallen on, or liquid has been spilled into, the device.
 - C. The device has been immersed in liquid or exposed to moisture.
 - D. The appliance does not appear to operate normally or exhibits a marked change in performance.
- **Keep all flammable materials away from this fixture!**

MAINTENANCE GUIDELINES



DISCONNECT POWER BEFORE PERFORMING ANY MAINTENANCE!

CLEANING

Frequent cleaning is recommended to ensure proper function, optimized light output, and an extended life. The frequency of cleaning depends on the environment in which the fixture operates: damp, smoky or particularly dirty environments can cause greater accumulation of dirt on the fixture's optics. Clean periodically with a soft cloth to avoid dirt/debris accumulation.

NEVER use alcohol, solvents, or ammonia-based cleaners.

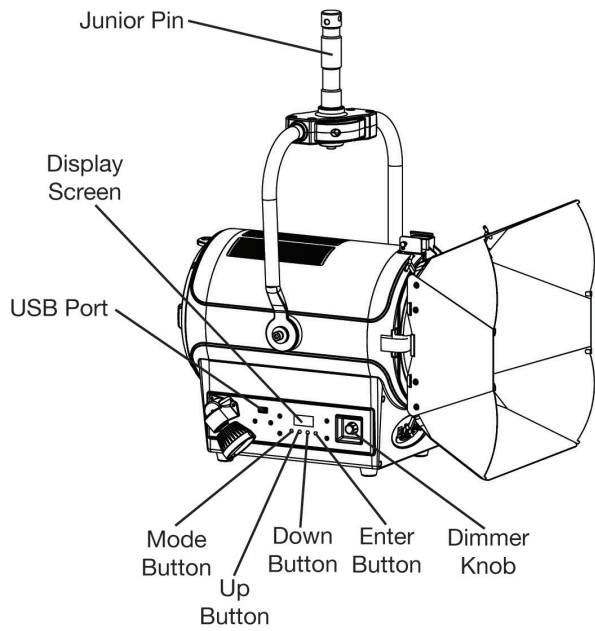
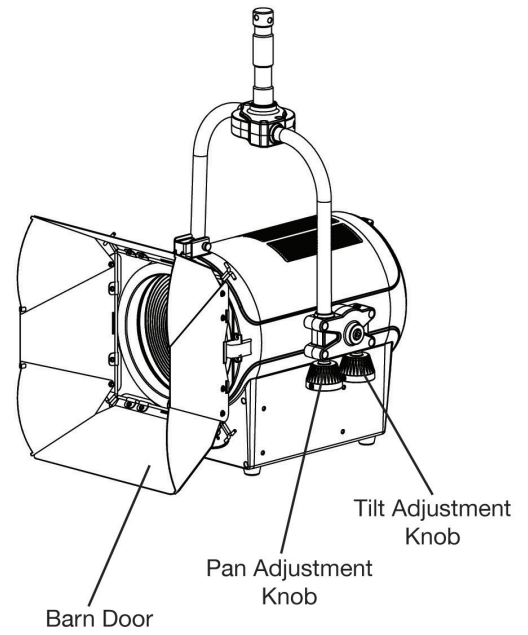
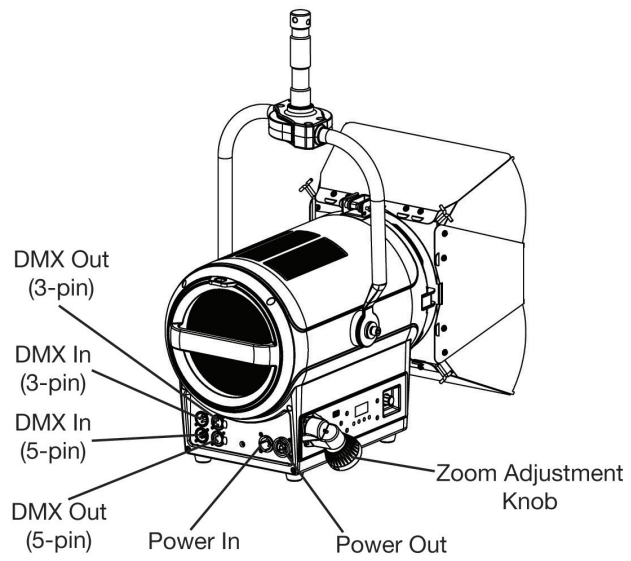
MAINTENANCE

Regular inspections are recommended to insure proper function and extended life. There are no user serviceable parts inside this fixture. Please refer all other service issues to an authorized Elation service technician. Should you need any spare parts, please order genuine parts from an authorized Elation dealer.

Please refer to the following points during routine inspections:

- A detailed electrical check by an approved electrical engineer every three months, to make sure the circuit contacts are in good condition and prevent overheating.
- Be sure all screws and fasteners are securely tightened at all times. Loose screws may fall out during normal operation, resulting in damage or injury as larger parts could fall.
- Check for any deformations on the housing, color lenses, rigging hardware and rigging points (ceiling, suspension, trussing). Deformations in the housing could allow for dust to enter into the fixture. Damaged rigging points or unsecured rigging could cause the fixture to fall and seriously injure a person(s).
- Electric power supply cables must not show any damage, material fatigue or sediments.

OVERVIEW



FIXTURE INSTALLATION



FLAMMABLE MATERIAL WARNING

Keep fixture minimum 5.0 feet (1.5m) away from flammable materials and/or pyrotechnics.



ELECTRICAL CONNECTIONS

A qualified electrician should be used for all electrical connections and/or installations.



MINIMUM DISTANCE TO OBJECTS/SURFACES IS 1 FOOT (0.3 METERS)



MINIMUM DISTANCE OF FLAMMABLE MATERIALS FROM THE SURFACE IS 1.6 FEET (0.5 METER)



MAXIMUM AMBIENT TEMPERATURE 113° F (45°C)



DO NOT INSTALL THE FIXTURE IF YOU ARE NOT QUALIFIED TO DO SO!

Fixture **MUST** be installed following all local, national, and country commercial electrical and construction codes and regulations.

Before rigging/mounting a single fixture or multiple fixtures to any metal truss/structure or placing the fixture(s) on any surface, a professional equipment installer **MUST** be consulted to determine if the metal truss/structure or surface is properly certified to safely hold the combined weight of the fixture(s), clamps, cables, and accessories.

Fixture(s) should be installed in areas outside walking paths, seating areas, or away from areas where unauthorized personnel might reach the fixture by hand.

NEVER stand directly below the fixture(s) when rigging, removing, or servicing.

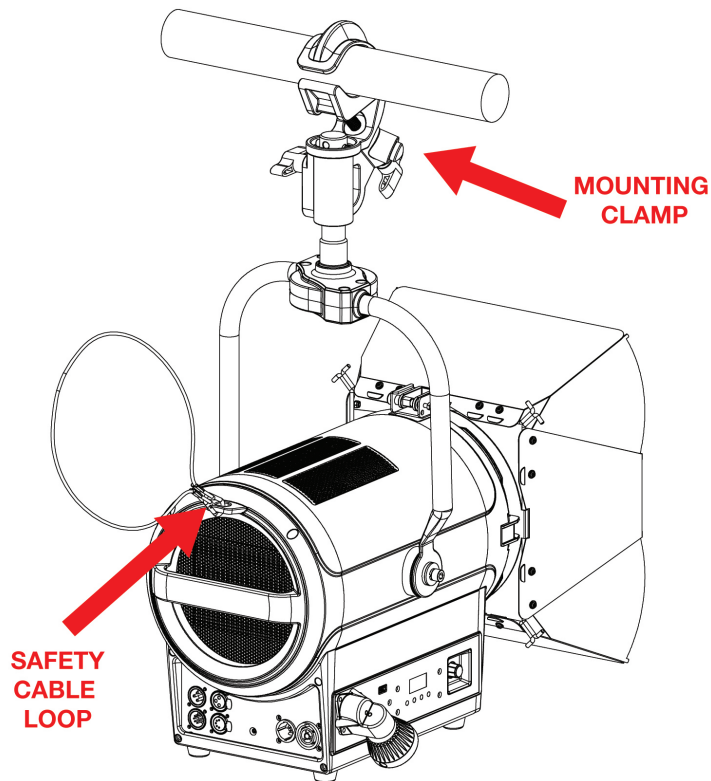
Overhead fixture installation must always be secured with a secondary safety attachment, such as an appropriately rated safety cable.

Allow approximately 15 minutes for the fixture to cool down before serving.

FIXTURE INSTALLATION

CLAMP INSTALLATION

This device should be mounted by attaching a mounting clamp and junior pin to the mounting yoke. A safety cable loop is also located on the rear face of the fixture. When mounting the fixture to a truss or any other suspended or overhead installation, be sure to secure an appropriately rated clamp (not included) to the clamp attachment point and attach a separate **SAFETY CABLE** of the appropriate safety rating to the safety cable rigging point.



ALWAYS ATTACH A SAFETY CABLE WHENEVER INSTALLING THIS FIXTURE IN A SUSPENDED ENVIRONMENT TO ENSURE THAT THE FIXTURE WILL NOT FALL IF THE CLAMP FAILS.

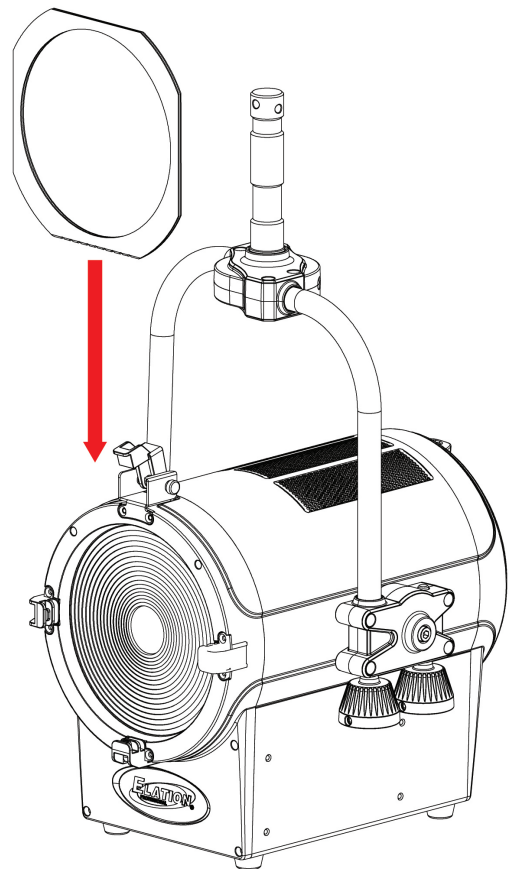
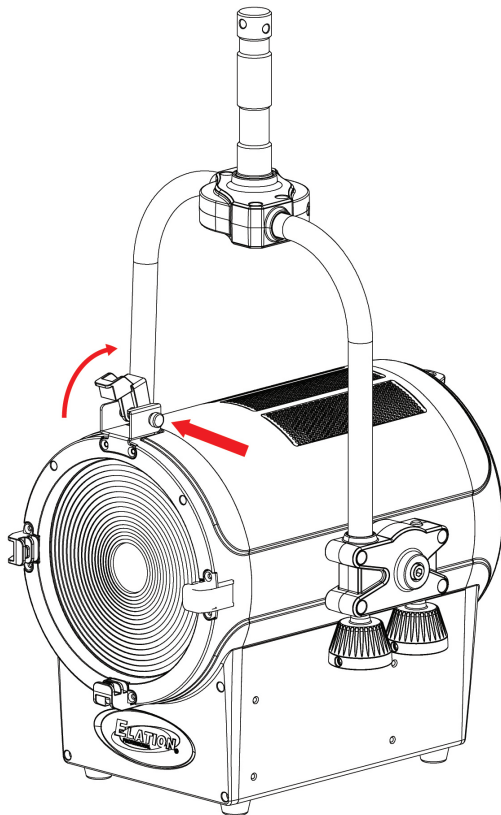
RIGGING

Overhead rigging requires extensive experience, including but not limited to: calculating working load limits, understanding the installation material being used, and periodic safety inspection of all installation material and the fixture itself. If you lack these qualifications, do not attempt to perform the installation yourself. Improper installation can result in bodily injury.

ACCESSORY INSTALLATION

GEL FRAME INSTALLATION

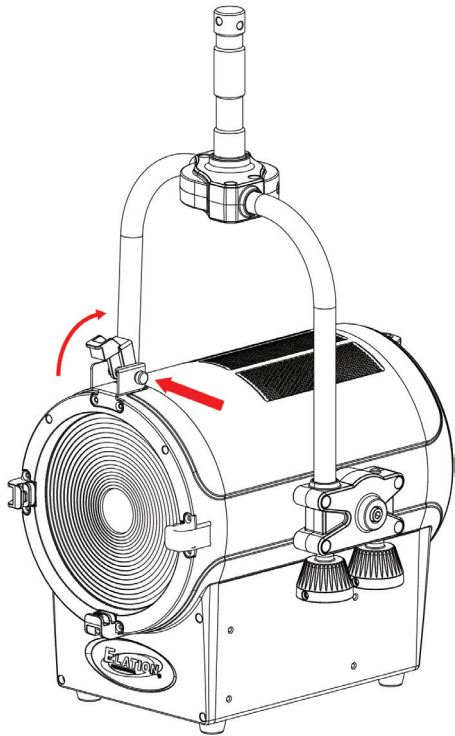
1. Press and hold the clip latch indicated by the straight arrow in the image below, then flip the retaining clip located near the top of the lens.
2. Slide the gel frame into place in one of the accessory slots. Secure the gel frame by flipping the retaining clip back down, making sure it latches in place.



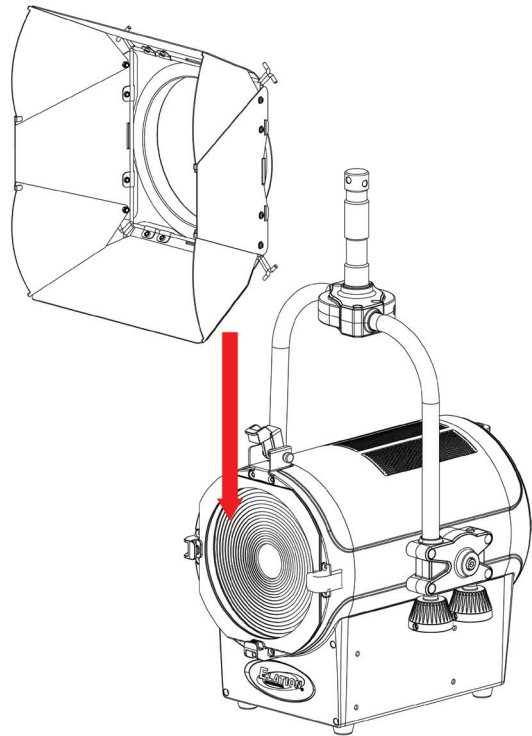
ACCESSORY INSTALLATION

BARNDOOR INSTALLATION

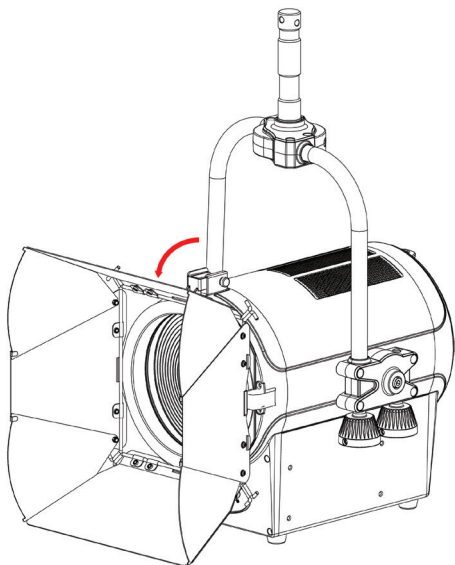
1. Press and hold the clip latch indicated by the straight arrow in the image below, then flip the retaining clip located near the top of the lens.



2. Slide the barn door into place in one of the vacant accessory slots on the front of the



3. Return the retaining clip to the original position to lock the barn door in



COLOURTUNE TECHNOLOGY

The **KL FRESNEL 8 FC PO** features our latest advanced fixture software, **ColourTune Technology**. This innovative software offers various features to enhance the control and precision of the fixture and the light it creates.

COLOR TUNING

This feature allows users to select between Highest Output, Highest Fidelity, or a blend of both. When Highest Output is chosen, the fixture prioritizes intensity by producing the selected CCT and color settings at maximum output while maintaining the best color fidelity possible. When Highest Fidelity is selected, the fixture prioritizes light quality by generating the selected CCT and color settings at the highest fidelity possible while offering the best intensity it can. The difference between fidelity and output changes varies depending on the CCT and color settings. Selecting Balanced Output and Fidelity equally prioritizes fidelity and output to produce the selected CCT and color settings with balanced fidelity and output.

OUTPUT BALANCE

Output Balance settings allow users to choose between Bright and Uniform (Elation Full Spectrum Match). This setting enables color tone balancing across multiple fixture models that also use Elation's Full Spectrum Engine. Selecting the Uniform setting reduces the intensity of some primary colors to ensure all mixed colors match across multiple fixture models. The Uniform setting also ensures color temperature and output levels are closely matched across fixtures of the same model.

16-BIT CCT CONTROL

In a DMX mode with 16-bit CCT control, fully variable CCT values are available, and adjustments of 1 degree Kelvin are achievable.

DIM TO WARM

With this feature activated, the fixture emulates a tungsten lamp by decreasing the color temperature as it dims. This works with any set CCT value, and only affects the output if a base CCT is established.

WHITE POINT ADJUSTMENT

The White Point Adjustment feature allows users to set a desired CCT value, and then mix color from that white set point. This color can be mixed manually through adjusting the primary color channels, or by selecting a color in the virtual swatch book.

VIRTUAL SWATCH BOOK FADE

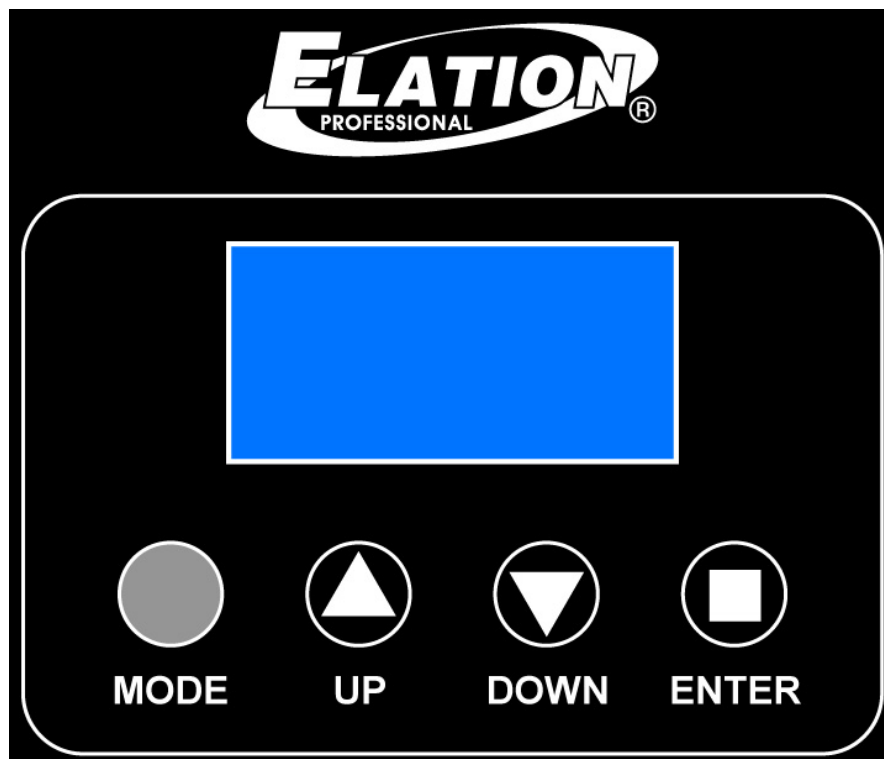
The ability to fade between two virtual swatch book color selections has been added. Users can select a fade time using the Dimmer Delay Time setting in the Dim Mode Control Channel. Changing between colors in the swatch book will then utilize the chosen timing.

CONTROL PANEL

The fixture includes an easy to navigate system menu. The control panel display is located on the side panel of the fixture (see image below) and provides access to the main system menu, where all necessary system adjustments are made to the fixture. During normal operation, pressing the MODE button once will access the fixture's main menu. Once in the main menu you can navigate through the different functions and access the sub-menus with the DOWN and UP buttons. Once you reach a field that requires adjusting, press the ENTER button to activate that field and use the DOWN and UP buttons to adjust the field. Pressing the ENTER button once more will confirm the setting. Exit the main menu at any time without making any adjustments by pressing the MODE button.

The display screen will shut OFF automatically after 30 seconds of inactivity. To turn the display back on, press and hold the MODE button for 3 seconds.

To enter the white balance menu, press and hold the MODE, UP, and DOWN buttons simultaneously. Please note that this will override the Color menu.



SYSTEM MENU

ENCODER MODE	Disabled (Use when running DMX control)		Refer to Encoder Mode section	
	Int CCT GRN			
	Int Color Sat			
	Int xy			
	Manual Control			
DMX	DMX Address	001 - 512		
	DMX Modes	1 Ch Dimmer		
		4 Ch Dimmer/CCT		
		6 Ch Dim/CCT/Clr		
		10 Ch RGBMA		
		11 Ch Standard		
		18 Ch Legacy Extended		
		19 Ch Extended		
		9 Ch CMY		
		14 Ch CMY Legacy Extended		
		15 Ch CMY Extended		
		13 Ch xy Extended		
	No DMX Status	Hold Last		
		Fade to Black		
Standalone				
CONTROL	Dimmer	000% - 100%		
	Manual Control	Red	0 - 255	
		Green	0 - 255	
		Blue	0 - 255	
		Mint	0 - 255	
		Amber	0 - 255	
		CCT	2400K - 8500K (Default = 6000K)	
		Green Shift	-100% ~ +100% (Default = 0%)	
		Virtual Colors	See Color Macros	
	Primary	On / Off		
	Secondary	On / Off		
	Self Test	All		
		Dimmer		
Color				

SYSTEM MENU

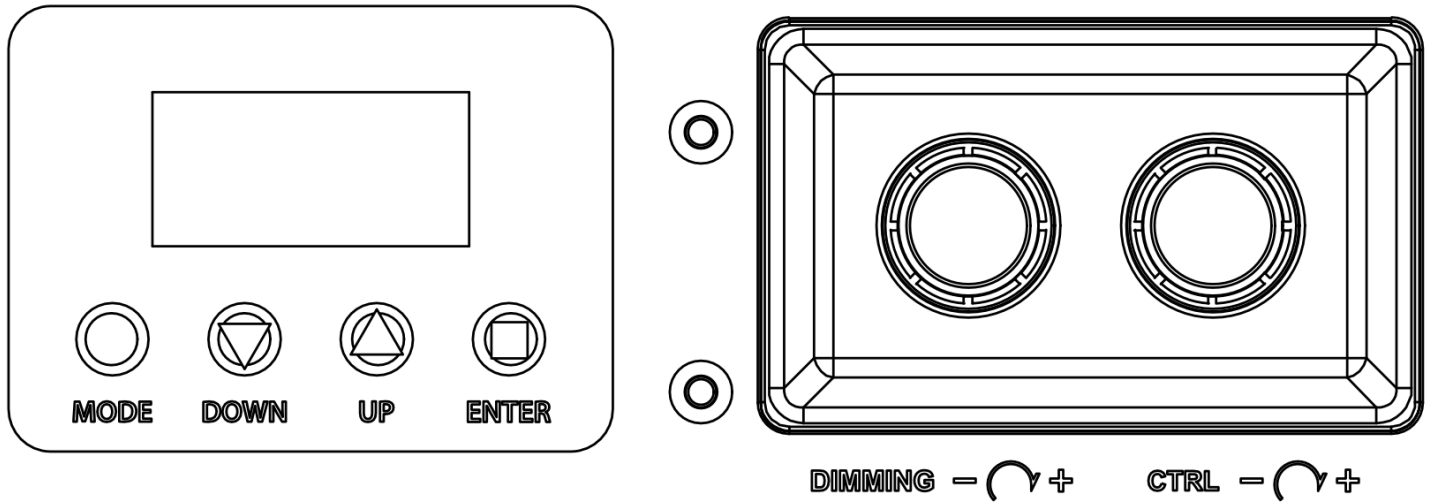
SETTINGS	Dim Modes	Standard	
		Stage	
		TV	
		Architectural	
		Theatre	
		Stage 2	
		Dim Speed	0s - 10s (Default = 0.1s)
	Dim to Warm	On / Off	
	Dim Curves	Linear	
		Square	
		Square Inverse	
		S-Curve	
	LED Refresh Rate	900Hz - 1500Hz, 2500Hz, 4000Hz, 5000Hz, 6000Hz, 10KHz, 15KHz, 20KHz, 25KHz (Default = 1200Hz)	
	Color Tuning	Highest Fidelity	
		Balanced Output and Fidelity	
		Highest Output	
	Output Balance	Bright (Highest Output)	
		Uniform (Elation Full Spectrum Match)	
	LED Power Limit	50%	
		60%	
		70%	
		80%	
		90%	
		100%	
	Fan Mode	Auto	
		High	
		Silent	
Mute			
Display	Screen Delay	10s - 5min (Default = 1min)	
	Screen Lock	Off , 10s - 5min	
	Rotate Display	Yes	
		No	
		Auto	
Reset Defaults	Yes / No		

SYSTEM MENU

INFORMATION	Time	Current Run Time	
		Total Run Time	
		Last Run Time	
	Temperature	Current	
		Max Resettable	
	DMX Values	Red	
		Green	
		...	
	Product IDs	RDM UID	
Error Logs	Fixture Errors		
Software Version	Vx.x		
SERVICE (Passcode = 050)	Update Firmware	On / Off	
	Calibration	Red	000 - 255
		Green	000 - 255
		Blue	000 - 255
		Mint	000 - 255
		Amber	000 - 255
	Reset Last Run	Yes / No	
Reset Error Logs	Yes / No		

ENCODER MODE

Use the two encoder knobs for manual DIMMING and FUNCTION control. Press the CTRL knob to step/cycle through available sub-menu selections.



X,Y MODE				
ENCODER KNOB	SUB MENU	DISPLAY	RESOLUTION / STEPS	DEFAULT
DIMMER	Intensity	Intensity 0-100%	1%	0%
CTRL	X Coordinate	X 0-100	1%	0%
	Y Coordinate	Y 0-100	1%	0%

INT CCT GRN (INTENSITY, COLOR TEMPERATURE, GREEN SHIFT)				
ENCODER KNOB	SUB MENU	DISPLAY	RESOLUTION / STEPS	DEFAULT
DIMMER	Intensity	Intensity 0-100%	1%	0%
CTRL	Color Temperature	CCT 2400 - 8500K	100K	6000K
	Green Shift	GRN -100% to +100%	1%	Neutral

INT COL SAT MODE (INTENSITY, COLOR, SATURATION)				
ENCODER KNOB	SUB MENU	DISPLAY	RESOLUTION / STEPS	DEFAULT
DIMMER	Intensity	Intensity 0-100%	1%	0%
CTRL	Color	Virtual Color 1, 2, 3, 4...	Single Color	
	Saturation	Sat 0-100%	1%	100%

MANUAL CONTROL MODE				
ENCODER KNOB	SUB MENU	DISPLAY	RESOLUTION / STEPS	DEFAULT
DIMMER	Intensity	Intensity 0-100%	1%	0%
CTRL	Selection	[Setting Name] 0-100%	Strobe / Red / Green / Blue / Amber / Mint	Strobe
	Adjustment	[Value] 0-100%	1%	0%

DMX TRAITS

1 Ch	4 Ch	6 Ch	10 Ch	11 Ch	18 Ch	19 Ch	9 Ch	14 Ch	15 Ch	13 Ch	DMX Values	Function	Snap	Def Value
1	1	1		1	1	1	1	1	1	1		Dimmer		0
											0 - 255	Intensity 0 →100%		
	2	2		2	2	2	2	2	2	2		Dimmer Fine		0
											0 - 255	Fine Intensity Control		
												Shutter / Strobe		
											0 - 31	Shutter closed		
											32 - 63	No function (shutter open)		
											64 - 95	Strobe effect, slow to fast		
		3		3	3	3	3	3	3	3	96 - 127	No function (shutter open)		50
											128 - 159	Pulse effect in sequences		
											160 - 191	No function (shutter open)		
											192 - 223	Random strobe effect, slow to fast		
											224 - 255	No function (shutter open)		
			1	4	4	4						Red		
											0 - 255	0 →100%		
			2		5	5						Red Fine		
											0 - 255	Fine Adjustment		
			3	5	6	6						Green		
											0 - 255	0 →100%		
			4		7	7						Green Fine		
											0 - 255	Fine Adjustment		
			5	6	8	8						Blue		
											0 - 255	0 →100%		
			6		9	9						Blue Fine		
											0 - 255	Fine Adjustment		
			7	7	10	10						Mint		
											0 - 255	0 →100%		
			8		11	11						Mint Fine		
											0 - 255	Fine Adjustment		
			9	8	12	12						Amber		
											0 - 255	0 →100%		
			10		13	13						Amber Fine		
											0 - 255	Fine Adjustment		
							4	4	4			Cyan		
											0 - 255	0 →100%		
								5	5			Cyan Fine		
											0 - 255	Fine Adjustment		
							5	6	6			Magenta		
											0 - 255	0 →100%		
								7	7			Magenta Fine		
											0 - 255	Fine Adjustment		

DMX TRAITS

1 Ch	4 Ch	6 Ch	10 Ch	11 Ch	18 Ch	19 Ch	9 Ch	14 Ch	15 Ch	13 Ch	DMX Values	Function	Snap	Def Value
							6	8	8			Yellow		
											0 - 255	0 → 100%		
								9	9			Yellow Fine		
											0 - 255	Fine Adjustment		
										4		x Coordinate		
											0 - 255	0 → 100%		
										5		x Coordinate Fine		
											0 - 255	Fine Adjustment		
										6		y Coordinate		
											0 - 255	0 → 100%		
										7		y Coordinate Fine		
											0 - 255	Fine Adjustment		
		4		9	14		7	10				CCT Presets		
											0 - 23	Open	X	
											24 - 85	2400K → 8500K (See Color Temperature Table)		
											86 - 255	8500K		
	3					14			10	8		Variable CCT		
											0 - 23	Open		
											24 - 255	2400K → 8500K		
	4					15			11	9		Variable CCT Fine		
											0 - 255	Fine Adjustment		
												Green Shift		
											0	Idle		
					15	16		11	12	10	1 - 127	Full Minus Green to Neutral		
											128	Neutral White		
											129 - 255	Neutral to Full Plus Green		
												Color		
											0	Open		
											1 - 179	Virtual Swatch Book (see Virtual Gel Swatch Book Color)		
												Color Scroll		
											180 - 201	Clockwise, fast to slow		
											202 - 207	Stop		
		5		10	16	17	8	12	13	11	208 - 229	Counter-clockwise, slow to fast		
											230 - 234	Open		
												Random Slots		
											235 - 239	Fast		
											240 - 244	Medium		
											245 - 249	Slow		
											250 - 255	Open		

DMX TRAITS

1 Ch	4 Ch	6 Ch	10 Ch	11 Ch	18 Ch	19 Ch	9 Ch	14 Ch	15 Ch	13 Ch	DMX Values	Function	Snap	Def Value
												Dim Modes		
											0 - 20	Standard		
											21 - 40	Stage		
											41 - 60	TV		
											61 - 80	Architectural		
											81 - 100	Theatre		
											101 - 120	Stage 2		
												Dimmer Delay Time		
											121	0s		
											122	0.1s		
											123	0.2s		
											124	0.3s		
											125	0.4s		
											126	0.5s		
											127	0.6s		
											128	0.7s		
					17	18		13	14	12	129	0.8s	X	0
											130	0.9s		
											131	1.0s		
											132	1.5s		
											133	2.0s		
											134	3.0s		
											135	4.0s		
											136	5.0s		
											137	6.0s		
											138	7.0s		
											139	8.0s		
											140	9.0s		
											141	10.0s		
											142 - 149	Idle		
												Dim to Warm		
											150 - 154	DTW On		
											155 - 159	DTW Off		
											160 - 255	Idle		

DMX TRAITS

1 Ch	4 Ch	6 Ch	10 Ch	11 Ch	18 Ch	19 Ch	9 Ch	14 Ch	15 Ch	13 Ch	DMX Values	Function	Snap	Def Value
												Control		
											0 - 29	Idle		
											30 - 39	Fan Mode Auto		
											40 - 49	Fan Mode Mute		
											50 - 59	Fan Mode Silent		
											60 - 69	Fan Mode High		
											70 - 99	Idle		
												Refresh Rate (Hz)		
											100	900		
											101	910		
											102	920		
											103	930		
											104	940		
											105	950		
											106	960		
											107	970		
											108	980		
											109	990		
											110	1000		
											111	1010		
		6		11	18	19	9	14	15	13	112	1020	X	0
											113	1030		
											114	1040		
											115	1050		
											116	1060		
											117	1070		
											118	1080		
											119	1090		
											120	1100		
											121	1110		
											122	1120		
											123	1130		
											124	1140		
											125	1150		
											126	1160		
											127	1170		
											128	1180		
											129	1190		
											130	1200		
											131	1210		
											132	1220		

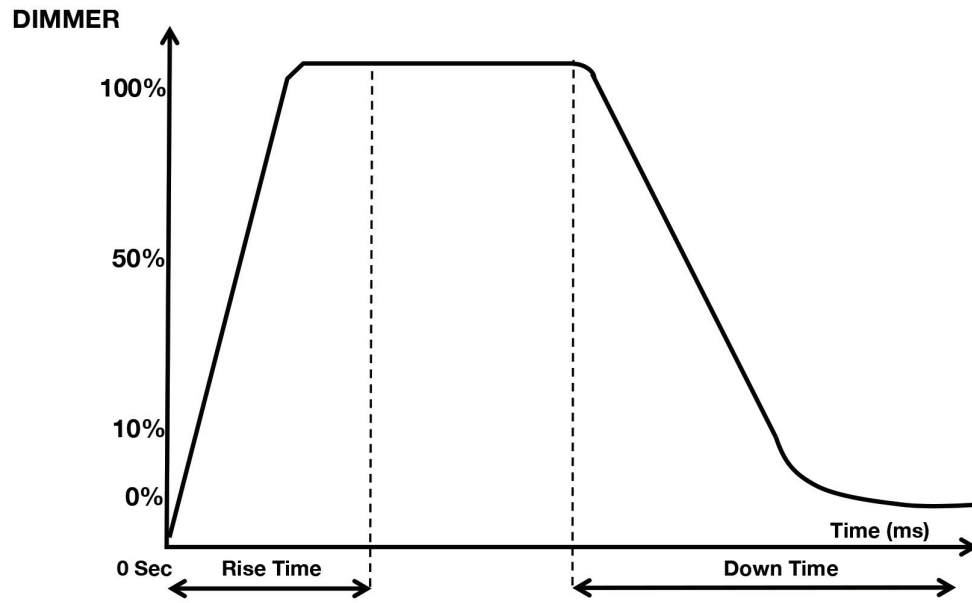
DMX TRAITS

1 Ch	4 Ch	6 Ch	10 Ch	11 Ch	18 Ch	19 Ch	9 Ch	14 Ch	15 Ch	13 Ch	DMX Values	Function	Snap	Def Value
												Refresh Rate (Hz) (continued)		
											133	1230		
											134	1240		
											135	1250		
											136	1260		
											137	1270		
											138	1280		
											139	1290		
											140	1300		
											141	1310		
											142	1320		
											143	1330		
											144	1340		
											145	1350		
											146	1360		
											147	1370		
											148	1380		
											149	1390		
		6		11	18	19	9	14	15	13	150	1400	X	0
											151	1410		
											152	1420		
											153	1430		
											154	1440		
											155	1450		
											156	1460		
											157	1470		
											158	1480		
											159	1490		
											160	1500		
											161	2500		
											162	4000		
											163	5000		
											164	10000		
											165	15000		
											166	20000		
											167	25000		
											169 - 174	Idle		

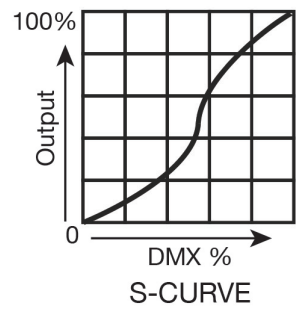
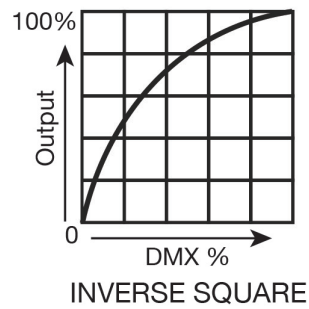
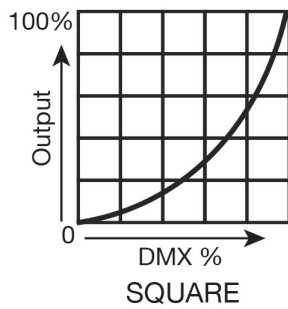
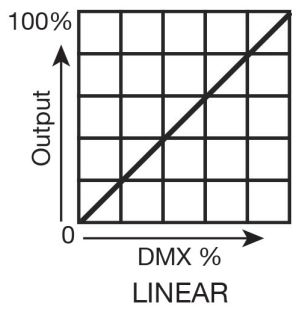
DMX TRAITS

1 Ch	4 Ch	6 Ch	10 Ch	11 Ch	18 Ch	19 Ch	9 Ch	14 Ch	15 Ch	13 Ch	DMX Values	Function	Snap	Def Value
												Color Tuning	X	0
											175 - 176	Highest Fidelity		
											177 - 178	Balanced Output and Fidelity		
											179 - 180	Highest Output (Default)		
												Output Balance		
											181 - 182	Bright (Highest Output) (Default)		
		6		11	18	19	9	14	15	13	183 - 184	Uniform (Elation Full Spectrum Match)		
											185 - 200	Idle		
												Dimmer Curves		
											201 - 210	Linear		
											211 - 220	Square		
											221 - 230	Inverse Square		
											231 - 240	S-Curve (default)		
											241 - 255	Idle		

DIMMER MODES & CURVES



Dimming Curve Ramp Effect	0 sec Fade Time		1 sec Fade Time	
	Rise Time (ms)	Down Time (ms)	Rise Time (ms)	Down Time (ms)
Standard (default)	0	0	0	0
Stage	780	1100	1540	1660
TV	1180	1520	1860	1940
Architectural	1380	1730	2040	2120
Theatre	1580	1940	2230	2280
Stage 2	0	1100	0	1660



COLOR TEMPERATURE CHART

DMX VALUE	COLOR TEMPERATURE (K)	DMX VALUE	COLOR TEMPERATURE (K)
024	2400	055	5500
025	2500	056	5600
026	2600	057	5700
027	2700	058	5800
028	2800	059	5900
029	2900	060	6000
030	3000	061	6100
031	3100	062	6200
032	3200	063	6300
033	3300	064	6400
034	3400	065	6500
035	3500	066	6600
036	3600	067	6700
037	3700	068	6800
038	3800	069	6900
039	3900	070	7000
040	4000	071	7100
041	4100	072	7200
042	4200	073	7300
043	4300	074	7400
044	4400	075	7500
045	4500	076	7600
046	4600	077	7700
047	4700	078	7800
048	4800	079	7900
049	4900	080	8000
050	5000	081	8100
051	5100	082	8200
052	5200	083	8300
053	5300	084	8400
054	5400	085	8500

COLOR MACROS CHART

DMX Values	Filter Number	Name	DMX Values	Filter Number	Name
1	7	Pale Yellow	28	113	Magenta
2	103	Straw	29	46	Dark Magenta
3	151	Gold Tint	30	48	Rose Purple
4	100	Spring Yellow	31	126	Mauve
5	10	Medium Yellow	32	49	Medium Purple
6	101	Yellow	33	58	Lavender
7	104	Deep Amber	34	199	Palace Blue
8	15	Deep Straw	35	119	Dark Blue
9	179	Loving Amber	36	132	Medium Blue
10	21	Gold Amber	37	120	Deep Blue
11	105	Orange	38	165	Daylight Blue
12	158	Deep Orange	39	161	Slate Blue
13	22	Dark Amber	40	118	Light Blue
14	778	Millennium Gold	41	68	Sky Blue
15	135	Deep Golden Amber	42	143	Pale Navy Blue
16	24	Scarlet	43	131	Marine Blue
17	106	Primary Red	44	115	Peacock Blue
18	26	Bright Red	45	172	Lagoon Blue
19	27	Medium Red	46	116	Medium Blue Green
20	19	Fire	47	90	Dark Yellow Green
21	157	Pink	48	139	Primary Green
22	36	Medium Pink	49	122	Fern Green
23	111	Dark Pink	50	89	Moss Green
24	128	Bright Pink	51	124	Dark Green
25	148	Bright Rose	52	88	Lime Green
26	332	Special Rose Pink	53	138	Pale Green
27	793	Vanity Fair	54-179		No function

REMOTE DEVICE MANAGEMENT (RDM)

NOTE: In order for RDM to work properly, RDM enabled equipment must be used throughout the entire system, including DMX data splitters and wireless systems.

Remote Device Management (RDM) is a protocol that sits on top of the DMX512 data standard for lighting, allowing the DMX systems of the device to be managed, modified, and monitored remotely (hence, remote device management). This protocol is ideal for fixtures installed in locations that are not easily accessible.

With RDM, the DMX512 system becomes bi-directional, allowing a compatible RDM enabled controller to send out a signal to devices on the wire, as well as allowing the fixture to respond (known as a GET command). The controller can then use it's SET command to modify settings that would typically have to be changed or viewed directly via the unit's display screen, including the DMX Address, DMX Channel Mode, and Temperature Sensors.

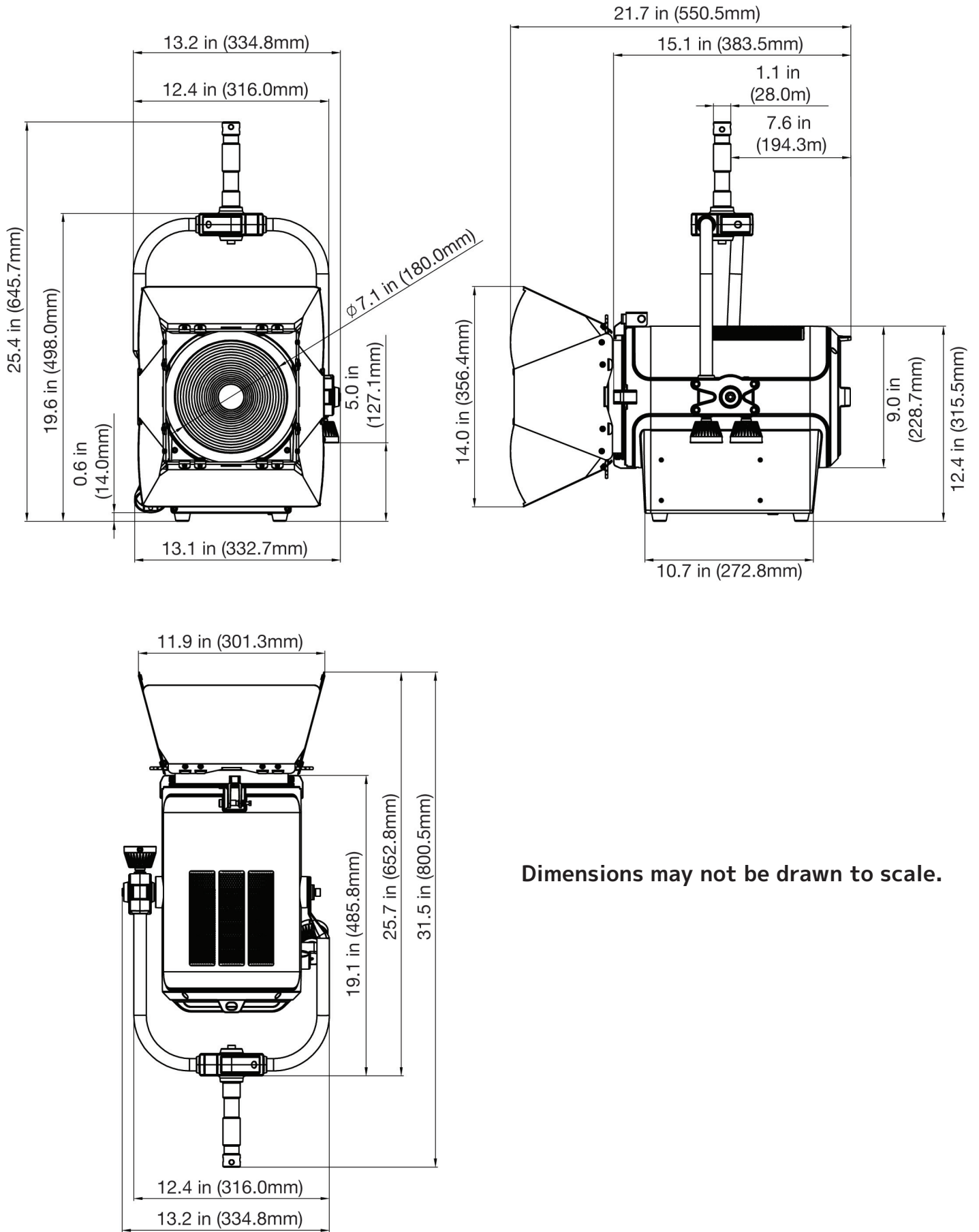
Model	RDM Code	Device ID	Device Model ID	Personality ID
KL FRESNEL 8FC	0x22A6	0012	18	1Ch, 5Ch, 7Ch, 11Ch, 12Ch, 19Ch, 20Ch, 10Ch, 15Ch, 16Ch, 14Ch

Please be aware that not all RDM devices support all RDM features, and therefore it is important to check beforehand to ensure that the equipment that you are considering includes all of the features that you require.

The following parameters are accessible in RDM on this device:

[0x0011] Proxied Device Count	[0x0600] Pan Invert
[0x0200] Sensor Definition	[0x0601] Tilt Invert
[0x0201] Sensor Value	[0x0602] Pan Tilt Swap
[0x0080] Device Model Description	[0x0500] Display Invert
[0x0081] Manufacturer Label	[0x0501] Display Level
[0x0082] Device Label	[0x0603] Realtime Clock
[0x00E0] DMX Personality	[0x1010] Power State
[0x00E1] DMX Personality Description	[0x1031] Preset Playback
[0x0400] Device Hours	[0x0122] Default Slot Value
[0x0015] Comms Status	[0x00B0] Language
[0x0031] Status ID Description	[0x00A0] Language Capabilities
[0x0032] Clear Status ID	[0x00C2] Boot Software Version Label
[0x0401] Lamp Hours	[0x00C1] Boot Software Version ID
[0x0402] Lamp Strikes	[0x0070] Product Detail ID List
[0x0403] Lamp State	[0x0030] Status Messages
[0x0404] Lamp Mode	[0x0000] Undefined PID [0x0000, (0)]
[0x0405] Device Power Cycles	

DIMENSIONAL DRAWINGS



Dimensions may not be drawn to scale.

SPECIFICATIONS

SOURCE

6000K RGBMA LED Engine
50,000 Hour Average LED Life*
***May vary depending on several factors including but not limited to: Environmental Conditions, Power/Voltage, Usage Patterns (On-Off Cycling), Control and Dimming.**

PHOTOMETRIC DATA

18,000+ Total Lumen Output
CRI 94.2
TLCI 95
Beam Angle 10.5° - 49.9°
Field Angle 21° - 66.6°

EFFECTS

Pole-Operated Pan and Tilt
Electronic Dimmer and Strobe
Variable 16-bit Dimming Modes and Curves

COLOR

High Brightness and High Fidelity Output Options
RGBMA Color Array
CMY Emulation
16bit Fully Variable CCT 2400K - 8500K
Green/Magenta Shift
Dim-to-Warm Fade
Virtual Gel Swatch Book

CONTROL / CONNECTIONS

11 DMX Channel Modes (1, 4, 6, 10, 11, 18, 19, 9, 14, 15, & 13 channels)
Manual and DMX Controlled Dimmer and Color
Dual Rotary Dials
4 Button Control Panel, LED Display
RDM (Remote Device Management)
3/5pin DMX and IP65 Locking Power In/Out Connection

SIZE / WEIGHT

Length: 15.1" (383.5mm)
Width: 13.2" (334.85mm)
Vertical Height: 19.6" (498mm)
Weight: 28.6 lbs. (13kg)

ELECTRICAL / THERMAL

AC 100-240V - 50/60Hz
522W Max Power Consumption
5°F to 113°F (-15°C to 45°C)

INCLUDED ITEMS

Gel Frame and Rotating 8-leaf Barn Doors
Junior Pin (1 1/8" - 28mm)
IP65 Locking Power Cable

APPROVALS / RATINGS

CE | cETLus | IP20



Specifications and documentation subject to change without notice.

ORDERING INFORMATION

ITEM DESCRIPTION	SKU
Elation KL Fresnel 8 FC PO	KLF857

ERROR CODES

CODE	ERROR
TEMP	Temperature Error

