



Type(s)  
Project  
Date  
Notes

**GENERAL INFORMATION**

The Pro Four-Cell Linear provides medium- to long-throw LED illumination for locations where hanging space is limited. Manufactured from high-grade, powder-coated aluminum and steel, the luminaire is equipped with a yoke for maximum focusing flexibility. The Pro Four-Cell Linear is entirely convection cooled, resulting in zero noise emission.

The Pro Four-Cell Linear connects directly to a mains supply and includes an onboard power supply. Intensity is controlled directly using a wired-DMX connection to the luminaire’s RJ45/Ethercon connectors.

ArcSystem has been specifically developed for auditorium lighting applications where high-quality, extremely accurate and smooth dimming is required. The use of onboard device management in the driver allows all luminaires to be addressed remotely, ensuring fast and simple installation.

**GENERAL INFORMATION**

**APPLICATIONS**

- Auditoriums
- Work lights
- Lobbies
- Houses of worship
- Museums
- Studios

**FEATURES**

- Wired-DMX and RDM control protocols
- Stepless, smooth dimming to absolute zero
- Convection cooled
- Silent operation
- Black or white paint finish options
- Custom color paint finishes available by special order
- Available as a dual-input emergency version

**ORDERING INFORMATION**

**ArcSystem Pro Four-Cell Linear**

MODEL	CONTROL	POWER	FADE-TO-WARM	COLOR TEMP	BEAM ANGLE	FIXTURE COLOR	MOUNTING
<b>ARCP4L</b> - Standard	<b>RDM</b> - DMX/RDM	<b>BLANK</b> - 100–240 VAC (IEC cord)	<b>BLANK</b> - Standard	<b>2</b> - 2700 K	<b>19</b> - 19°	<b>W</b> - White	<b>Y</b> - Surface Yoke
<b>ARCPE4L</b> - Emergency		<b>277</b> - 100–277 VAC (hard-wired)	<b>F</b> - Fade To Warm <small>(only available with 2700 K and 3000 K options)</small>	<b>3</b> - 3000 K <b>35</b> - 3500 K <b>4</b> - 4000 K <b>5</b> - 5000 K	<b>24</b> - 24° <b>37</b> - 37° <b>60</b> - 60°	<b>B</b> - Black <b>C</b> - Custom	

To complete the form, simply select an option at the bottom of each column to populate the last row with your desired part number.

Color Options: Fixtures ship standard in black or white. For additional colors please contact ETC.



## PRODUCT SPECIFICATIONS (PRO FOUR-CELL LINEAR)

## Source

LED details	Bridgelux Vero 13 (standard) Vesta 15 (FTW)
Max field lumens	8,445 (3000 K 50°)
Max total lumens	9,152 (3000 K 50°)
Lumens per watt	91
L70 rating (hours to 70% output)	50,000 hours

## Color

Colors used	Fixed white
Color temperature options	2700 K, 3000 K, 3500 K, 4000 K, 5000 K
Fade to warm	Optional on 2700 K and 3000 K

## Optical

Beam angle range	19 / 24 / 37 / 60
CRI	>90
TM-30-18 data	Refer to ArcSystem photometry guide
Photometry data	See below of refer to ArcSystem photometry guide

## Control

Input method	DMX-512 via RJ45/etherCON connector
Protocols	DMX, RDM
Modes (footprint)	1-channel / 4-channel
RDM configuration	Yes (with RDM option)
UI type	No Local UI
Local control	No

## Electrical

Voltage range	100–240 VAC IEC or 100–277 VAC hard-wired
Input method	Standard luminaire options: Option 1: IEC Connector Option 2: wiring compartment with one half-inch knock-outs for field wiring  Emergency luminaire: Wiring compartment with two half-inch knock-outs for field wiring
Inrush	65 A at 120 V (first half-cycle)
Wattage (max / standby)	100 W / <3 W
Current draw	0.84 A at 120 V
Power factor	>0.9

## Thermal

Ambient operating temp	0°–40° C (32°–104° F)
Fan (controllable)	N/A (convection cooled)
BTUs/hour	341

## Physical

Materials	Die-cast aluminum and cold-rolled steel
Color options	Black, white or custom color
Mounting options	Yoke
IP rating	IP-20 (dry locations only)
Weight	5.99 kg (13.20 lb)

Note: For non-Emergency and non 277 V versions, IEC Cable purchase is required. See page 3 for ordering details.

## Warranty

Full fixture	5 years
LED array	10 years

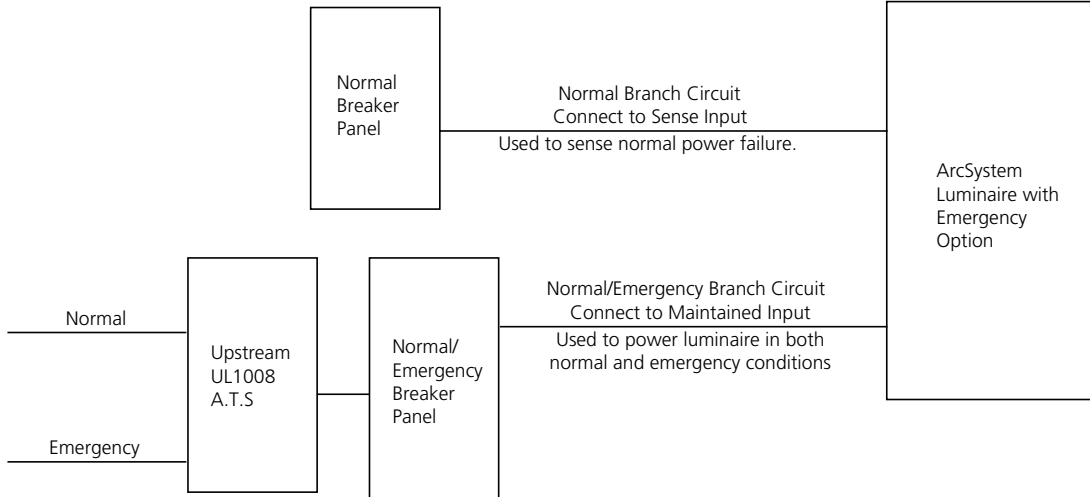
## Regulatory and Compliance

Approved regulatory standards	<p><b>Standard version:</b> cETLus Listed Conforms to ANSI/UL STD. 1598 Certified to CSA STD. C22.2 No: 250 CE Compliant EAC Compliant UKCA Compliant</p> <p><b>Emergency version:</b> cETLus Listed Conforms to ANSI/UL STD.924 Certified to CSA STD. C22.2 No: 141 CE Compliant EAC Compliant UKCA Compliant</p>
-------------------------------	--

**EMERGENCY CONNECTION**

A dual-input emergency version of this luminaire is available. Emergency luminaires require two line-voltage inputs that perform the following functions:

- Normal power/emergency power
- Normal power sense input



The sense input is used to detect whether normal utility power has been lost. This will force the luminaire on at 100% intensity running from the maintained supply. There is no control of the luminaire via wired-DMX until normal utility power is restored to the sense input.

**PHOTOMETRY**

**Lumen Table**

COLOR TEMP	BEAM ANGLE	FIELD ANGLE	FIELD LUMENS	BEAM LUMENS	MAX CANDELA
3000 K	19°	51.8°	5,461	2,424	54,660
3000 K	24°	60.0°	6,318	3,153	32,410
3000 K	37°	65.8°	7,216	4,215	17,810
3000 K	60°	88.9°	7,566	4,201	10,500`

IES light files are available on request for all beam angles of ArcSystem.

Full photometry and color information for the ArcSystem family is available in the [ArcSystem Photometry and Color Info Guide](#).

---

**FIXTURE PER CIRCUIT INFORMATION**

	<b>ARCP4L / ARCPE4L</b>
120 V, 20 A, High Inrush (Sensor or SensorIQ)	19 luminaires
120 V, 20 A, Standard Inrush (Echo Relay Panel Mains Feed)	19 luminaires
230 V, 10 A, C-Curve (Sensor)	22 luminaires
230 V, 15 A, C-Curve (Sensor)	34 luminaires

**NOTE:** Inrush has been tested to not be a factor in fixtures per circuit for this luminaire.

---

**POWER CABLE****IEC cable option table**

<b>PART NUMBER</b>	<b>CONNECTOR</b>	<b>DESCRIPTION</b>
W6110	Edison	Power Cable, Edison Plug to IEC, 6', Black
W6368-UK	British Square Pin	Power Cable, 13 A British Square Pin to IEC, 2m, Black
W6659	16 A Ceeform	Power Cable, 16 A Ceeform to IEC, 6', Black
W6368-EU	Schuko	Power Cable, Schuko to IEC, 2m, Black
W6658	EU bare ends	Power Cable, Bare Ends to IEC, 2m, Black

**NOTE:** Power cables required on Non-Emergency and 100–240 V versions of the fixture. Cables not included and must be specified by orderer.

PHYSICAL

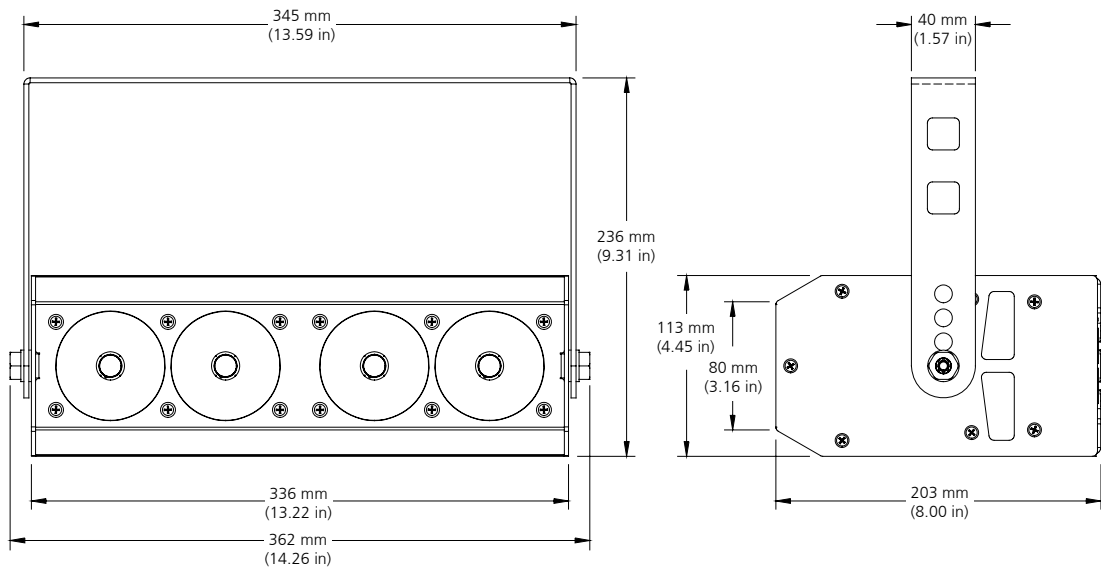
Pro Four-Cell Linear Dimensions

MODEL	HEIGHT		WIDTH		DEPTH	
	in	mm	in	mm	in	mm
Pro Four-Cell Linear*	9.31	236	14.26	362	8.00	203
Pro Four-Cell Linear 277 V	9.42	239	14.98	380	8.00	203

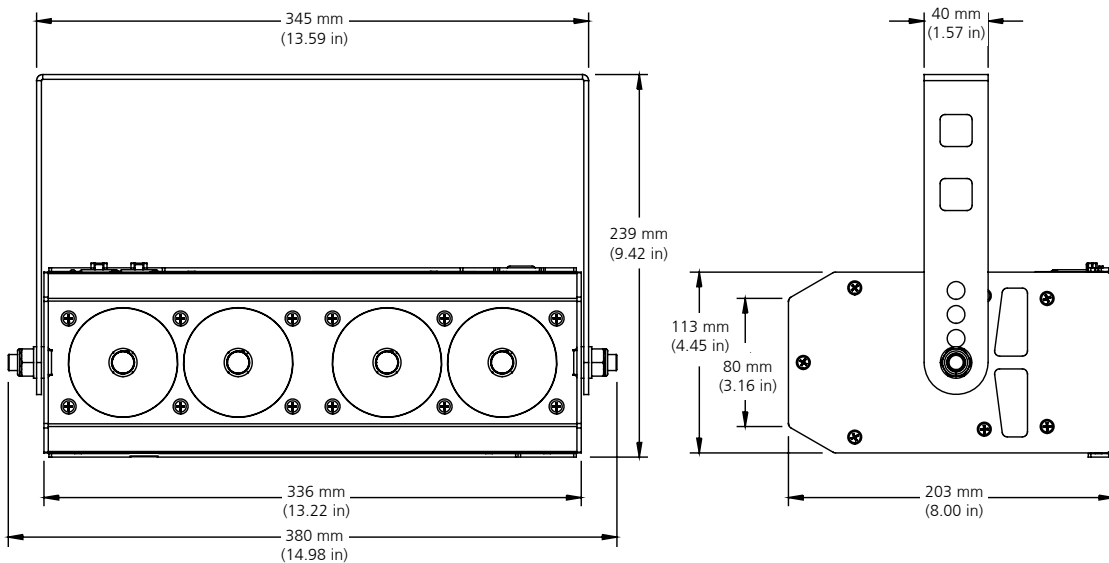
Pro Four-Cell Linear Weights

MODEL	WEIGHT*		SHIPPING WEIGHT	
	lb	kg	lb	kg
Pro Four-Cell Linear	13.2	6.0	15.6	7.1
Pro Four-Cell Linear 277 V	13.2	6.0	15.6	7.1

PRO FOUR-CELL LINEAR



PRO FOUR-CELL LINEAR 277 V



Corporate Headquarters • Middleton, WI USA  
 Global Offices • London, UK • Rome, IT • Holzkirchen, DE • Paris, FR • Hong Kong  
 Dubai, UAE • Singapore • New York, NY • Orlando, FL • Los Angeles, CA • Austin, TX  
 ©2023 ETC. All Rights Reserved. All product information and specifications subject to change. Rev L 2023-09  
 \*Trademark and patent info: [etcconnect.com/IP](http://etcconnect.com/IP) • Third-party license agreement info: [etcconnect.com/licenses](http://etcconnect.com/licenses)