



Type(s)  
Project  
Date  
Notes

**GENERAL INFORMATION**

The compact, Pro Four-Cell Round is ideal for use in medium- to long-throw, pendant style applications. The luminaire is supplied with half-inch and M10 captive nut plates for connecting threaded rod, providing multiple hanging options. Manufactured from high-grade, powder-coated aluminum and steel, the luminaire is entirely convection cooled for silent operation.

The Pro Four-Cell Round includes an onboard power supply and connects directly to a 100–240 V mains supply. Intensity control is achieved with a direct, wired-DMX connection to the luminaire’s RJ45/etherCON connectors.

ArcSystem has been specifically developed for auditorium lighting applications where high-quality, extremely accurate and smooth dimming is required. The use of onboard device management in the driver allows all luminaires to be addressed remotely, ensuring fast and simple installation.

**GENERAL INFORMATION**

**APPLICATIONS**

- Auditoriums
- Work lights
- Lobbies
- Houses of worship
- Museums
- Studios

**FEATURES**

- Wired DMX and RDM control protocols
- Stepless, smooth dimming to absolute zero
- Convection cooled
- Fan-free, silent operation
- Various color options
- Available as a dual-input emergency version

**ORDERING INFORMATION**

**ArcSystem Pro Four-Cell Round**

MODEL	CONTROL	FADE-TO-WARM	COLOR TEMP	BEAM ANGLE	FIXTURE COLOR	MOUNTING	REGULATORY
<b>ARCP4R</b> - Standard	<b>RDM</b> - DMX/RDM	<b>BLANK</b> - Standard	<b>2</b> - 2700k	<b>19</b> - 19°	<b>W</b> - White <b>B</b> - Black <b>C</b> - Custom	<b>H</b> - Fixed hanging point (1/2" or M10 thread)	<b>BLANK</b> - ETL compliant <b>-CE</b> - CE compliant
<b>ARCPE4R</b> - Emergency		<b>F</b> - Fade To Warm	<b>3</b> - 3000k <b>35</b> - 3500k <b>4</b> - 4000k <b>5</b> - 5000k	<b>24</b> - 24° <b>37</b> - 37° <b>60</b> - 60°			
		(only available with 2700K and 3000K options)					

To complete the form, simply select an option at the bottom of each column to populate the last row with your desired part number.

Color Options: Fixtures ship standard in black or white. For additional colors please contact ETC.

**Note:** For Pendant Options please consult the ArcSystem Pro Four-Cell Pendant Datasheet at [etcconnect.com](http://etcconnect.com)



## PRODUCT SPECIFICATIONS

## Source

LED details	Bridgelux Vero 13 (standard) Vesta 15 (FTW)
Max field lumens	8,445 (5000 K 37°)
Max total lumens	9,152 (5000 K 37°)
Lumens per watt	91
L70 rating (hours to 70% output)	50,000 hours

## Color

Colors used	Fixed white
Color temperature options	2700 K / 3000 K / 3500 K / 4000 K / 5000 K
Fade to warm	Optional on 2700 K and 3000 K

## Optical

Beam angle range	19 / 24 / 37 / 60
CRI	>90
TM-30-18 Data	Refer to ArcSystem photometry guide
Photometry Data	See below or refer to ArcSystem photometry guide

## Control

Input method	DMX-512 via RJ45/etherCON connector
Protocols	DMX, RDM
Modes (footprint)	1-channel / 4-channel
RDM configuration	Yes (with RDM option)
UI type	No Local UI
Local control	No

## Electrical

Voltage range	Standard: 100–240 VAC Emergency: 100–125 VAC
Input method	IEC Connector  Emergency luminaire supplied with two, hard-wired, three-conductor, 18AWG 185cm (72in) NEMA 5-15 15 A 125 V Plug
Inrush	30 A max at all voltages (first half-cycle)
Wattage (max / standby)	100 W / <3 W
Current draw	0.84 A at 120 VAC, 0.55 A at 240 VAC
Power Factor	>0.9
Driver and Power Supply	Integrated and Internal, no remote driver options

## Thermal

Ambient operating temp	0°–40° C (32°–104° F)
Fan (controllable)	N/A (convection cooled)
BTUs/hour	341

## Physical

Materials	Die-cast aluminum and cold-rolled steel
Color options	Black, white or custom color
Mounting options	Supplied with the following adapter plates for onsite installation: - Half-inch threaded captive nut - M10 threaded captive nut
IP rating	IP-20 (dry locations only)
Weight	5.22 kg (11.5 lb)

Note: For non-Emergency and non 277 V versions, IEC Cable purchase is required. See page 3 for ordering details.

## Warranty

Full fixture	5 years
LED array	10 years

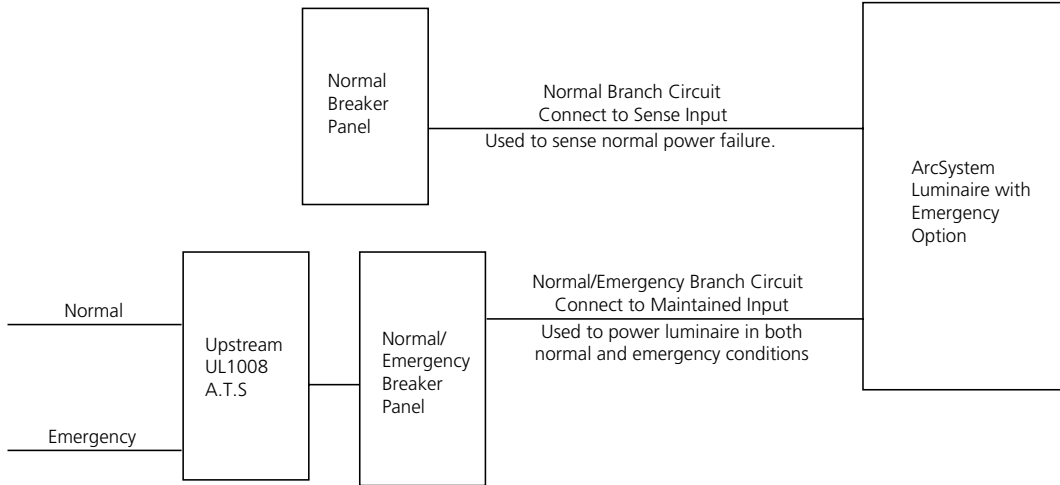
## Regulatory and Compliance

Approved regulatory standards	<p><b>Standard version:</b> cETLus Listed Conforms to ANSI/UL STD.1598 Certified to CSA STD. C22.2 No: 250 CE Compliant EAC Compliant UKCA Compliant</p> <p><b>Emergency version:</b> cETLus Listed Conforms to ANSI/UL STD.924 Certified to CSA STD. C22.2 No: 141 CE Compliant EAC Compliant UKCA Compliant</p>
-------------------------------	---

**EMERGENCY CONNECTION**

A dual-input emergency version of this luminaire is available. Emergency luminaires require two line-voltage inputs that perform the following functions:

- Normal power/emergency power
- Normal power sense input



The sense input is used to detect whether normal utility power has been lost. This will force the luminaire on at 100% intensity running from the maintained supply. There is no control of the luminaire via wired-DMX until normal utility power is restored to the sense input.

**PHOTOMETRY**

**Lumen table**

COLOR TEMP	BEAM ANGLE	FIELD ANGLE	FIELD LUMENS	BEAM LUMENS	MAX CANDELA
3000 K	19°	51.9°	5,414	2,356	56,160
3000 K	24°	60.0°	6,302	3,116	32,710
3000 K	37°	65.6°	7,085	3,622	17,890
3000 K	60°	84.2°	7,334	4,115	9,880

IES light files are available on request for all beam angles of ArcSystem.

Full photometry and color information for the ArcSystem family is available in the [ArcSystem Photometry and Color Info Guide](#).

---

**FIXTURE PER CIRCUIT INFORMATION**

	<b>ARCP4R / ARCPE4R</b>
120 V, 20 A, High Inrush (Sensor or SensorIQ)	15 luminaires
120 V, 20 A, Standard Inrush (Echo Relay Panel Mains Feed)	15 luminaires
230 V, 10 A, C-Curve (Sensor)	14 luminaires
230 V, 15 A, C-Curve (Sensor)	21 luminaires

**NOTE:** Inrush has been tested to not be a factor in fixtures per circuit for this luminaire.

---

**POWER CABLE****IEC cable option table**

<b>PART NUMBER</b>	<b>CONNECTOR</b>	<b>DESCRIPTION</b>
W6110	Edison	Power Cable, Edison Plug to IEC, 6 ft, Black
W6368-UK	British Square Pin	Power Cable, 13 A British Square Pin to IEC, 2 m, Black
W6659	16 A Ceeform	Power Cable, 16 A Ceeform to IEC, 6 ft, Black
W6368-EU	Schuko	Power Cable, Schuko to IEC, 2 m, Black
W6658	EU bare ends	Power Cable, Bare Ends to IEC, 2 m, Black

**NOTE:** Power cables required on Non-Emergency and 100–240 V versions of the fixture. Cables not included and must be specified by orderer.

PHYSICAL

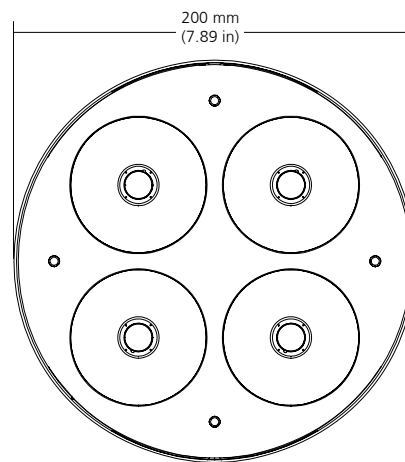
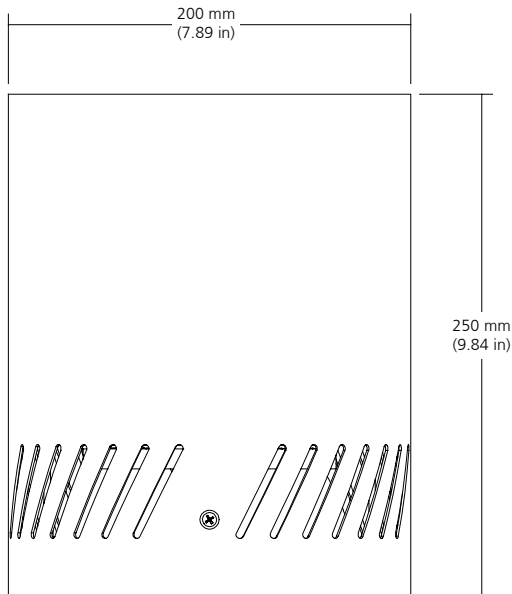
Pro Four-Cell Round Dimensions

MODEL	HEIGHT		WIDTH		DEPTH	
	in	mm	in	mm	in	mm
Pro Four-Cell Round	9.84	250	7.89	200	7.89	200

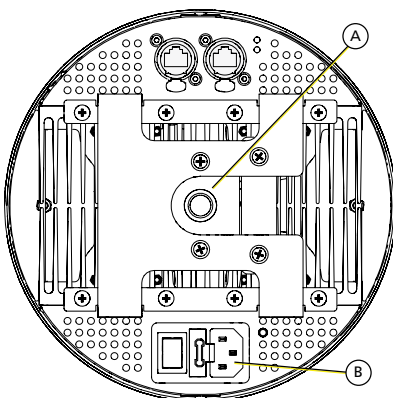
Pro Four-Cell Round Weights

MODEL	WEIGHT*		SHIPPING WEIGHT	
	lb	kg	lb	kg
Pro- Four-Cell Round	12.5	5.67	14.3	6.49

\*Does not include mounting hardware



MOUNTING METHOD



Top View

	DESCRIPTION	NOTES
<b>A</b>	Threaded nut	Threaded nuts with 1/2-13 inch and M10 x 1.5 threads are included. A threaded nut with M12 x 1.75 threads is available separately.  Use the threaded nut to attach the luminaire to your threaded rod, bolt, or clamp (not included).
<b>B</b>	IEC connector	Standard version with IEC connector pictured. Emergency versions have hard-wired power leads.

Note: The illustration is not drawn to scale. Wiring is omitted for clarity.



Corporate Headquarters • Middleton, WI USA  
 Global Offices • London, UK • Rome, IT • Holzkirchen, DE • Paris, FR • Hong Kong  
 Dubai, UAE • Singapore • New York, NY • Orlando, FL • Los Angeles, CA • Austin, TX  
 ©2023 ETC. All Rights Reserved. All product information and specifications subject to change. Rev P 2023-09  
 \*Trademark and patent info: [etconnect.com/IP](http://etconnect.com/IP) • Third-party license agreement info: [etconnect.com/licenses](http://etconnect.com/licenses)

etconnect.com