



Type(s)
Project
Date
Notes

GENERAL INFORMATION

The ArcSystem Goof Ring allows any ArcSystem recessed luminaire to be securely installed in a location where the installation hole is larger than the standard prescribed hole size. This easy-to-install device improves usability of ArcSystem Pro and Navis luminaires fitting into a range of different hole sizes for each luminaire type.

Note: ArcSystem luminaire sold separately.

APPLICATIONS

- Retrofits where ceiling recessed lighting holes already exist and are oversized

FEATURES

- Dual Ceiling Clamp Springs with vertical and horizontal adjustments for various hole and ceiling sizes
- Safety cable attachment points for both ceiling and luminaires

MECHANICAL

- Frame manufactured from 1.2 mm (18 GA) cold-rolled steel
- Maximum load: 1.8 kg (4 lb)
- Maximum ceiling thickness: 38 mm (1.5 in)

COMPATIBILITY

- ArcSystem Navis 100
- ArcSystem Pro One-Cell
- ArcSystem Pro One-Cell High Output
- ArcSystem Pro One-Cell Small
- ArcSystem Pro One-Cell Micro

ORDERING INFORMATION

ArcSystem Goof Ring

MODEL	DESCRIPTION
ARCN-GR-N100-6	Goof Ring, Navis 100, 6 Inch (15 cm)
ARCN-GR-N100-6.5	Goof Ring, Navis 100, 6.5 Inch (16.5 cm)
ARCN-GR-N100-8	Goof Ring, Navis 100, 7-8 Inch (18-20 cm)
ARCN-GR-N100-10	Goof Ring, Navis 100, 8-10 Inch (20-25 cm)

ARCP-GR-1CM-4.5	Goof Ring, Pro One-Cell Micro, 4.5 Inch (11.4 cm)
ARCP-GR-1CM-5	Goof Ring, Pro One-Cell Micro, 5 Inch (12.7 cm)
ARCP-GR-1CM-6.5	Goof Ring, Pro One-Cell Micro, 5.5-6.5 Inch (14-16.5 cm)

ARCP-GR-1CS-5	Goof Ring, Pro One-Cell Small, 5 Inch (12.5 cm)
ARCP-GR-1CS-5.5	Goof Ring, Pro One-Cell Small, 5.5 Inch (14 cm)
ARCP-GR-1CS-7	Goof Ring, Pro One-Cell Small, 6-7 Inch (15-18 cm)
ARCP-GR-1CS-8	Goof Ring, Pro One-Cell Small, 7-8 Inch (18-20 cm)

ARCP-GR-1C/HO-7.5	Goof Ring, Pro One-Cell or HO, 7.5 Inch (19 cm)
ARCP-GR-1C/HO-8	Goof Ring, Pro One-Cell or HO, 8 Inch (20.3 cm)
ARCP-GR-1C/HO-8.5	Goof Ring, Pro One-Cell or HO, 8.5 Inch (21.6 cm)
ARCP-GR-1C/HO-10	Goof Ring, Pro One-Cell or HO, 9-10 Inch (22.8-25 cm)

Note: All orders must add -B for Black, -W for White, or -P for Primed Grey



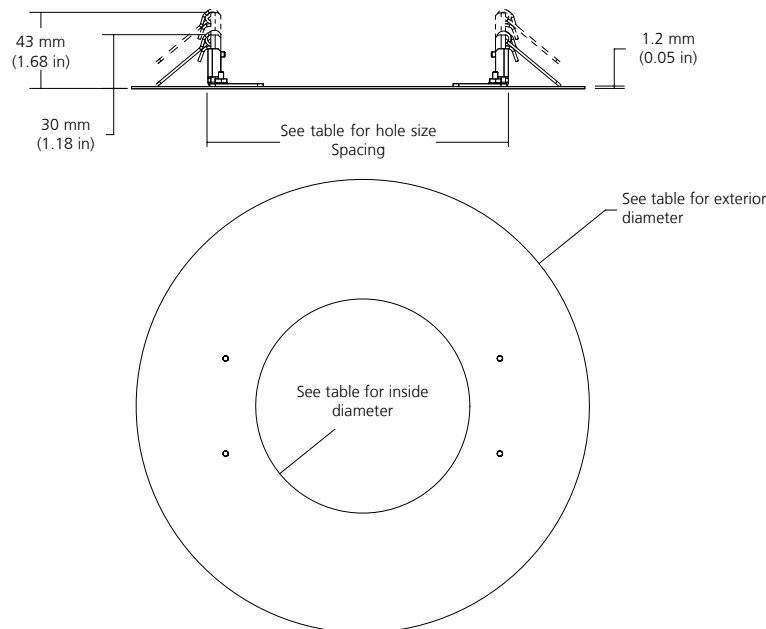
PHYSICAL

Product Dimensions

MODEL	HOLE SIZE †		EXTERIOR DIAMETER		INSIDE DIAMETER ‡		HEIGHT		WEIGHT	
	in	mm	in	mm	in	mm	in	mm	lb	kg
ARCN-GR-N100-6	6	153	9	228	4.75	120	1.68	43	0.93	0.42
ARCN-GR-N100-6.5	6.5	165	9	228	4.75	120	1.68	43	0.94	0.43
ARCN-GR-N100-8	7 to 8	178 to 204	10	254	4.75	120	1.68	43	1.29	0.59
ARCN-GR-N100-10	8 to 10	204 to 254	11	279	4.75	120	1.68	43	1.35	0.61
ARCP-GR-1CM-4.5	4.5	114	7	178	3.11	79	1.68	43	0.58	0.26
ARCP-GR-1CM-5	5	127	7	178	3.11	79	1.68	43	0.87	0.39
ARCP-GR-1CM-6.5	5.5 to 6.5	140 to 165	8.5	216	3.11	79	1.68	43	0.94	0.43
ARCP-GR-1CS-5	5	127	9	228	3.93	100	1.68	43	0.87	0.39
ARCP-GR-1CS-5.5	5.5	140	9	228	3.93	100	1.68	43	0.90	0.41
ARCP-GR-1CS-7	6 to 7	153 to 178	9	228	3.93	100	1.68	43	1.13	0.51
ARCP-GR-1CS-8	7 to 8	178 to 204	10	254	3.93	100	1.68	43	1.29	0.59
ARCP-GR-1C/HO-7.5	7.5	191	11	279	6.5	165	1.68	43	1.15	0.52
ARCP-GR-1C/HO-8	8	204	11	279	6.5	165	1.68	43	1.29	0.59
ARCP-GR-1C/HO-8.5	8.5	216	11	279	6.5	165	1.68	43	1.31	0.60
ARCP-GR-1C/HO-10	9 to 10	228 to 254	12	305	6.5	165	1.68	43	1.35	0.61

† Defines the recommended hole size the goof ring can fit in.

‡ Excludes luminaire size



Corporate Headquarters • Middleton, WI USA
Global Offices • London, UK • Rome, IT • Holzkirchen, DE • Paris, FR • Hong Kong
 Dubai, UAE • Singapore • New York, NY • Orlando, FL • Los Angeles, CA • Austin, TX
 Copyright©2023 ETC. All Rights Reserved. All product information and specifications subject to change. Rev A 2023-04
 *Trademark and patent info: etconnect.com/EP

etconnect.com