



Type(s)
Project
Date
Notes

GENERAL INFORMATION

The compact Pro One-Cell Micro luminaire is a single-cell solution that is ideally suited for recessed installations in areas that require short-throw illumination. With a high grade, painted metal construction, the Pro One-Cell Micro delivers the quality performance of the larger multi-cell versions, in a much smaller form factor.

The Pro One-Cell Micro luminaire requires a direct connection to the D2 Driver (see separate datasheet). In conjunction with the driver unit, up to two luminaires can be independently dimmed using the wired DMX/RDM connection.

ArcSystem has been specifically developed for auditorium lighting applications where high-quality, extremely accurate and smooth dimming is required. The use of onboard device management in the driver allows all fixtures to be addressed remotely, ensuring fast and simple installation.

GENERAL INFORMATION

APPLICATIONS

- Auditoriums
- Work lights
- Lobbies
- Houses of worship
- Retail
- Museums
- Studios

PRODUCT FEATURES

- DMX/RDM
- Stepless smooth dimming to blackout
- Convection cooled
- Fan-free, silent operation
- Multiple color-temperature and fixture color options

ORDERING INFORMATION

ArcSystem Pro One-Cell Micro

MODEL	COLOR TEMP	BEAM ANGLE	FIXTURE COLOR	MOUNTING
ARCP1M	2 - 2700 K	19 - 19°	W - White	A - Recess Adjust Y - Surface Yoke
	3 - 3000 K	24 - 24°	B - Black	
	35 - 3500 K	37 - 37°	C - Custom	
	4 - 4000 K	60 - 60°		

To complete the form, simply select an option at the bottom of each column to populate the last row with your desired part number.

Color Options: Fixtures ship standard in black or white. For additional colors, please contact ETC.



PRODUCT SPECIFICATIONS (PRO ONE-CELL MICRO)

Source

LED details	Lumiled Luxeon® 1202 CoB
Max field lumens	581 (3000 K 37°)
Max total lumens	632 (3000 K 37°)
Lumens per watt	52
L70 rating (hours to 70% output)	50,000 hours

Color

Colors used	Fixed white
Color temperature range	2700 K, 3000 K, 3500 K, 4000 K
Fade to warm	N/A

Optical

Beam angle range	19, 24, 37, 60
CRI	>90
TM-30-18 data	Refer to ArcSystem photometry guide
Photometry data	See below or refer to ArcSystem photometry guide

Control (via separate driver)

Input method	DMX-512 via RJ45 connector
Protocols	DMX, RDM
Modes (footprint)	1-channel
RDM configuration	Yes
UI type	No UI, Configuration via RDM
Local control	No

Electrical

Voltage range	48V DC (requires separate D2 driver to operate)
Input method	4-position (2-pole) Molex® connector with hard-wired 90 cm (36 in) power cord
Inrush (Driver and two fixtures)	D2 Driver: 20 A at 120 VAC
Wattage (typical / standby)	12 W/<1 W
Current draw (via driver)	0.1 A at 120 VAC

Thermal

Ambient operating temp	0°–40°C (32°–104°F)
Fan (controllable)	N/A (convection cooled)
BTUs/hour	41

Physical

Materials	Die-cast aluminum and cold-rolled steel
Color options	Black, white or custom color
Mounting options	Recessed spring clips (for 3-24mm thick ceilings) or yoke
IP rating	IP-20 (dry locations only)
Weight (adj / yoke)	0.28 kg (0.61 lb)/0.22 kg (0.49 lb)
Notes	See accessories list for power cable options

Warranty

Full fixture	5 years
LED array	10 years

Regulatory and Compliance

Approved regulatory standards	Standard version cETLus Listed Conforms to ANSI/UL STD.2108 Certified to CSA STD. C22.2 No: 250 CE Compliant EAC Compliant UKCA Compliant Recessed fixtures additionally conform to ANSI/ UL STD. 2043
-------------------------------	---

ACCESSORIES

Extension Cables

PART NUMBER	DESCRIPTION
ARCDAHBC1	1 m Extension Cable
ARCDAHBC2	2 m Extension Cable
ARCDAHBC3	3 m Extension Cable
ARCDAHBC5	5 m Extension Cable
ARCDAHBC10	10 m Extension Cable

Extension cables to be used between the ARCD2D driver and the Pro One-Cell Micro luminaire.

ARCSYSTEM GOOF RING

The ArcSystem Goof Ring allows any ArcSystem recessed luminaire to be securely installed in a location where the installation hole is larger than the standard prescribed hole size. This easy-to-install device improves usability of ArcSystem Pro luminaires fitting into a range of different hole sizes for each luminaire type.

MODEL	DESCRIPTION
ARCP-GR-1CM-4.5	Goof Ring, Pro One Cell Micro, 4.55 Inch (11.4 cm)
ARCP-GR-1CM-5	Goof Ring, Pro One Cell Micro, 5 Inch (12.7 cm)
ARCP-GR-1CM-6.5	Goof Ring, Pro One Cell Micro, 5.5-6.5 Inch (14-16.5 cm)
Note: -B for Black, -W for White, or -P for Primed Grey required on ArcSystem Goof Rings	
Please review the ArcSystem Goof Ring datasheet for more information	

D2 DRIVERS



ArcSystem Pro One-Cell Micro luminaires require an external ArcSystem D2 driver to operate. See separate datasheet or visit etconnect.com/ArcSystem for additional information.

PHOTOMETRY

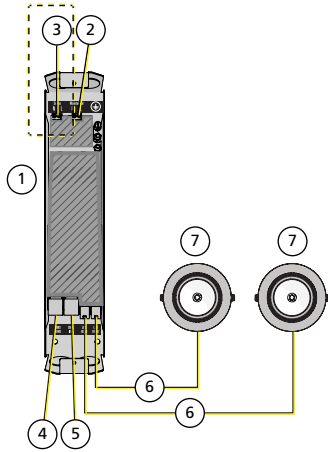
Lumen Table

COLOR TEMP	BEAM ANGLE	FIELD ANGLE	FIELD LUMENS	TOTAL LUMENS	MAX CANDELA
3000 K	19°	19°	518	626	5,125
3000 K	24°	19°	583	675	2,864
3000 K	37°	19°	595	668	2,092
3000 K	60°	19°	672	711	1,057

IES light files are available on request for all beam angles of ArcSystem.

Full photometry information available in the [ArcSystem Photometry and Color Info Guide](#).

D2 DRIVER WIRING DIAGRAM



	Description	Notes
1	ArcSystem Pro D2 Driver	ARCPD2DRDMM ARCPED2DRDMM (Emergency)
2	Maintained input power	0.5–10 mm ² (22–6 AWG) line/neutral 2.5–10 mm ² (6–14 AWG) ground 100–277 VAC, 50/60 Hz ARCPD2D: normal branch circuit ARCPED2D: normal/emergency branch circuit from UL1008 automatic transfer switch (ATS) by others
3	Sense input power (emergency models only)	0.5–10 mm ² (22–6 AWG) line/neutral 2.5–10 mm ² (6–14 AWG) ground 100–277 VAC, 50/60 Hz, normal branch circuit (ARCPED2DRDMM only)
4	DMX input from external DMX source	RJ45 connector, Cat5e (or equivalent) 0.2 mm ² (24 AWG) or larger conductors terminated to T568B standard
5	DMX thru to another ArcSystem Pro Driver or other device	RJ45 connector, Cat5e (or equivalent) 0.2 mm ² (24 AWG) or larger conductors terminated to T568B standard
6	Luminaire cable	18 AWG with Molex Mini-Fit connector, provided attached to luminaire. Extension cables are available (see page 3).
7	ArcSystem Pro One-Cell Micro luminaire ARCP1M	
Note: The illustration is not drawn to scale.		

PHYSICAL

Pro One-Cell Micro Dimensions

MODEL	HEIGHT		WIDTH		DEPTH	
	in	mm	in	mm	in	mm
Adjustable†	3.27	83	3.54	90	3.54	90
Yoke†	3.82	97	3.04	77	1.97	50

†Recommend hole cut-out: 3.11 in/79 mm

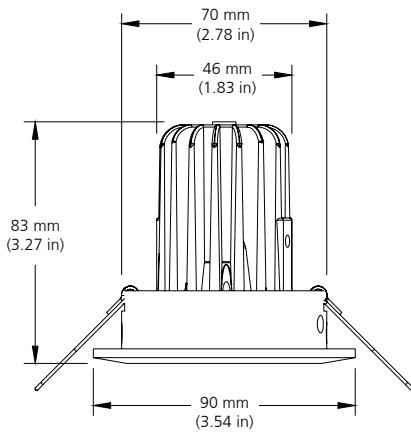
†Yoke-mount dimensions include yoke and locking screws

Pro One-Cell Micro Weights

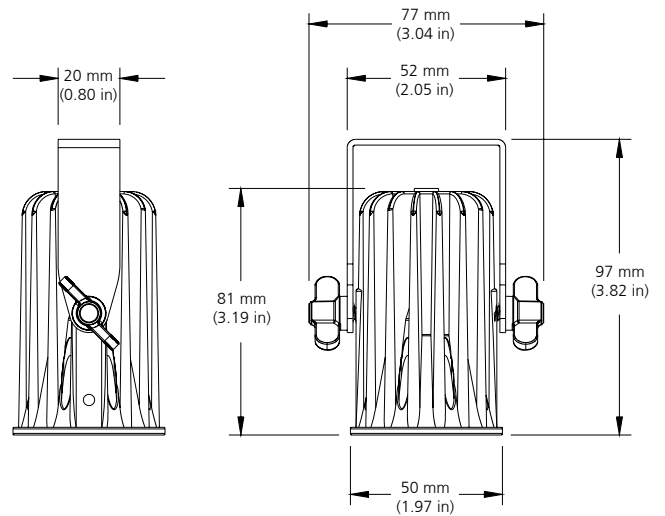
MODEL	WEIGHT†		SHIPPING WEIGHT	
	lb	kg	lb	kg
Adjustable	0.61	0.28	0.67	0.30
Yoke	0.49	0.22	0.55	0.25

†Does not include mounting hardware

PRO ONE-CELL MICRO ADJUSTABLE



PRO ONE-CELL MICRO YOKE



Corporate Headquarters • Middleton, WI USA

Global Offices • London, UK • Rome, IT • Holzkirchen, DE • Paris, FR • Hong Kong
Dubai, UAE • Singapore • New York, NY • Orlando, FL • Los Angeles, CA • Austin, TX

©2023 ETC. All Rights Reserved. All product information and specifications subject to change. Rev F 2023-09

*Trademark and patent info: etconnect.com/IP • Third-party license agreement info: etconnect.com/licenses

etconnect.com