



Type(s)
Project
Date
Notes

GENERAL INFORMATION

The compact Pro One-Cell Small luminaire is a single-cell solution that is ideally suited for recessed installations in areas that require short-to medium-throw illumination. With a high grade, painted metal construction, the Pro One-Cell Small delivers the quality performance of the larger multi-cell versions, in a much smaller form factor.

The Pro One-Cell Small luminaire requires a direct connection to the D1 Driver (see separate datasheet). In conjunction with the driver unit, the luminaire can be dimmed using either the wired DMX/RDM connection.

ArcSystem has been specifically developed for auditorium lighting applications where high-quality, extremely accurate and smooth dimming is required. The use of onboard device management in the driver allows all fixtures to be addressed remotely, ensuring fast and simple installation.

GENERAL INFORMATION

APPLICATIONS

- Auditoriums
- Work lights
- Lobbies
- Houses of worship
- Retail
- Museums
- Studios

PRODUCT FEATURES

- DMX/RDM
- Stepless smooth dimming to blackout
- Convection cooled
- Fan-free, silent operation
- Multiple color-temperature and fixture color options

ORDERING INFORMATION

ArcSystem Pro One-Cell Small

MODEL	FADE-TO-WARM	COLOR TEMP	BEAM ANGLE	FIXTURE COLOR	MOUNTING
ARCP1S	BLANK - Standard F - Fade To Warm (only available with 2700 K and 3000 K options)	2 - 2700 K 3 - 3000 K 35 - 3500 K 4 - 4000 K 5 - 5000 K	19 - 19° 24 - 24° 37 - 37° 60 - 60°	W - White B - Black C - Custom	A - Recess Adjust Y - Surface Yoke

To complete the form, simply select an option at the bottom of each column to populate the last row with your desired part number.

Color Options: Fixtures ship standard in black or white. For additional colors please contact ETC.



PRODUCT SPECIFICATIONS (PRO ONE-CELL SMALL)

Source

LED details	Bridgelux® Vero® 13 (standard) Vesta® 15 (FTW)
Max field lumens	2,023 (5000 K 37°)
Max total lumens	2,202 (5000 K 37°)
Lumens per watt	110
L70 rating (hours to 70% output)	50,000 hours

Color

Colors used	Fixed white
Color temperature range	2700 K, 3000 K, 3500 K, 4000 K, 5000 K
Fade to warm	Optional on 2700 K and 3000 K

Optical

Beam angle range	19, 24, 37, 60
CRI	>90
TM-30-18 data	Refer to ArcSystem photometry guide
Photometry data	See below or refer to ArcSystem guide

Control (via separate driver)

Input method	DMX-512 via RJ45 connector
Protocols	DMX/RDM
Modes (footprint)	1-channel
RDM configuration	Yes
UI type	No UI, Configuration via RDM
Local control	No

Electrical

Voltage range	48 VDC Max (requires separate D1 or D4 driver to operate)
Input method	4-position (2-pole) Molex® connector with hard-wired 36 in (90 cm) power cord
Inrush (including Driver)	D1 Driver: 20 A at 120 VAC D4 CC Driver: 15 A at all voltages
Wattage (typical / standby)	20 W/<1 W
Current draw (via driver)	0.17 A at 120 V

Thermal

Ambient operating temp	0° to 40°C (32° to 104°F)
Fan (controllable)	N/A (convection cooled)
BTUs/hour	68

Physical

Materials	Die-cast aluminum and cold-rolled steel
Color options	Black, white or custom color
Mounting options	Recessed spring clips (for 3–24 mm thick ceilings) or yoke
IP rating	IP-20 (dry locations only)
Weight (adj / yoke)	0.55 kg (1.21 lb)/0.59 kg (1.29 lb)
Included accessories	Yoke (yoke version only)
Notes	See accessories list for power cable options

Warranty

Full fixture	5 years
LED array	10 years

Regulatory and Compliance

Approved regulatory standards	Standard version cETLus Listed Conforms to ANSI/UL STD.2108 Certified to CSA STD. C22.2 No: 250 CE Compliant EAC Compliant UKCA Compliant Recessed fixtures additionally conform to ANSI/ UL STD. 2043
-------------------------------	---

ACCESSORIES

Extension Cables

PART NUMBER	DESCRIPTION
ARCDAHBC1	1 m Extension Cable
ARCDAHBC2	2 m Extension Cable
ARCDAHBC3	3 m Extension Cable
ARCDAHBC5	5 m Extension Cable
ARCDAHBC10	10 m Extension Cable

Extension cables to be used between the ARCMD1D driver and the Pro One-Cell Small luminaire.

RECESSED CEILING BRACKET

The ArcSystem Recessed Ceiling Bracket allows an ArcSystem Pro One-Cell Small recessed luminaire to be securely installed into an open format or suspended/drop ceiling grid. It is intended for use in ceiling voids from 0.3–1.22 m (1–4 ft). The bracket is easily installed on user-provided horizontal supports using standard attachment methods or ETC supplied brackets.

MODEL	DESCRIPTION
ARCP-CB-1CS	Recessed Ceiling Bracket, ArcSystem Pro One Cell Small
ARC-CBM	Universal Mounting Kit for ArcSystem Recessed Ceiling Bracket, includes two brackets

Note: ARC-CBM is an optional attachment method for horizontal EMT conduit supports.
Please review the ArcSystem Recessed Ceiling Bracket datasheet for more information.

ARC SYSTEM GOOF RING

The ArcSystem Goof Ring allows any ArcSystem recessed luminaire to be securely installed in a location where the installation hole is larger than the standard prescribed hole size. This easy-to-install device improves usability of ArcSystem Pro luminaires fitting into a range of different hole sizes for each luminaire type.

MODEL	DESCRIPTION
ARCP-GR-1CS-5	Goof Ring, Pro One Cell Small, 5 Inch (12.5 cm)
ARCP-GR-1CS-5.5	Goof Ring, Pro One Cell Small, 5.5 Inch (14 cm)
ARCP-GR-1CS-7	Goof Ring, Pro One Cell Small, 6-7 Inch (15-18 cm)
ARCP-GR-1CS-8	Goof Ring, Pro One Cell Small, 7-8 Inch (18-20 cm)

Note: -B for Black, -W for White, or -P for Primed Grey required on ArcSystem Goof Rings
Please review the ArcSystem Goof Ring datasheet for more information

D1 DRIVERS



ArcSystem Pro One-Cell luminaires require an external ArcSystem D1 driver to operate. See separate datasheet or visit etconnect.com/ArcSystem for additional information.

PHOTOMETRY

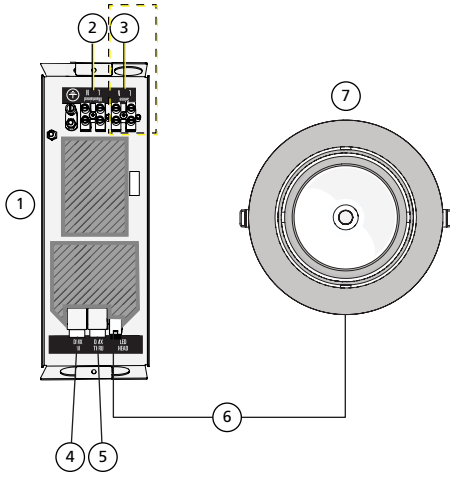
Lumen Table

COLOR TEMP	BEAM ANGLE	FIELD ANGLE	FIELD LUMENS	BEAM LUMENS	MAX CANDELA
3000 K	19°	17.2°	1,351	691	13,260
3000 K	24°	53.8°	1,530	931	7,640
3000 K	37°	65.1°	1,753	1,049	4,490
3000 K	60°	75.7°	1,766	1,061	2,680

IES light files are available on request for all beam angles of ArcSystem.

Full photometry and color information for the ArcSystem family is available in the [ArcSystem Photometry and Color Info Guide](#).

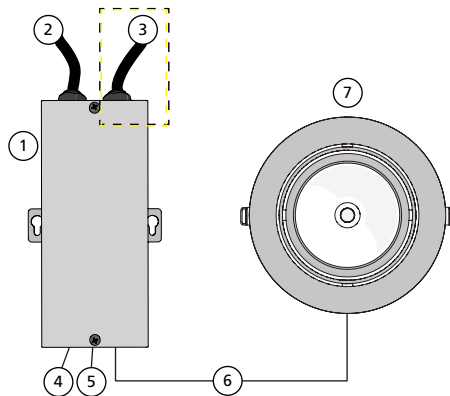
D1 DRIVER WIRING DIAGRAM



	Description	Notes
1	ArcSystem Pro D1 Driver	ARCPD1DRDMM ARCPED1DRDMM (Emergency)
2	Maintained input power	Up to 6 mm ² (10 AWG) line/neutral/ground 100–277 VAC, 50/60 Hz ARCPD1DRDMM: normal branch circuit ARCPED1DRDMM: normal/emergency branch circuit from UL1008 automatic transfer switch (ATS) by others
3	Sense input power (emergency models only)	Up to 6 mm ² (10 AWG) line/neutral/ground 100–277 VAC, 50/60 Hz, normal branch circuit (ARCPED1DRDMM only)
4	DMX input from external DMX source	RJ45 connector, Cat5e (or equivalent) 0.2 mm ² (24 AWG) or larger conductors terminated to T568B standard
5	DMX thru to another ArcSystem Pro Driver or other device	RJ45 connector, Cat5e (or equivalent) 0.2 mm ² (24 AWG) or larger conductors terminated to T568B standard
6	Luminaire cable	18 AWG with Molex Mini-Fit connector, provided attached to luminaire. Extension cables are available (see page 3).
7	ArcSystem Pro One-Cell or One-Cell Small luminaire ARCP1 or ARCP1S	

Note: The illustration is not drawn to scale.

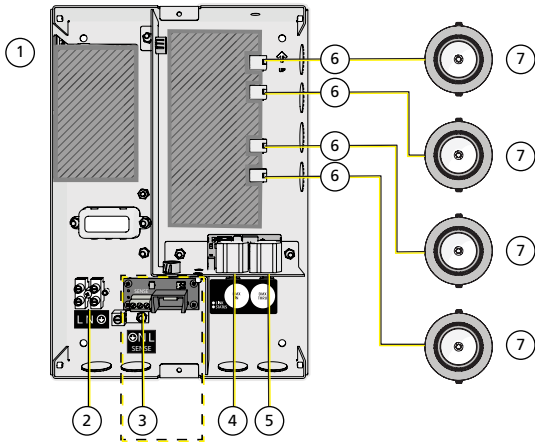
D1 DRIVER QUICK CONNECT WIRING DIAGRAM



	Description	Notes
1	ArcSystem Pro D1 Driver Quick Connect	ARCPD1DRDMC ARCPED1DRDMC (Emergency)
2	Maintained input power	Use the provided cable: 18 AWG line/neutral/ground with a #8 22–18 AWG (0.5–1 mm ²) ring terminal on ground 100–277 VAC, 50/60 Hz ARCPD1DRDMC: normal branch circuit ARCPED1DRDMC: normal/emergency branch circuit from UL1008 automatic transfer switch (ATS) by others
3	Sense input power (emergency models only)	Use the provided cable: 18 AWG line/neutral/ground with a #8 22–18 AWG (0.5–1 mm ²) ring terminal on ground 100–277 VAC, 50/60 Hz, normal branch circuit (ARCPED1DRDMC only)
4	DMX input from external DMX source	RJ45 connector, Cat5e (or equivalent) 0.2 mm ² (24 AWG) or larger conductors terminated to T568B standard
5	DMX thru to another ArcSystem Pro Driver or other device	RJ45 connector, Cat5e (or equivalent) 0.2 mm ² (24 AWG) or larger conductors terminated to T568B standard
6	Luminaire cable	18 AWG with Molex Mini-Fit connector, provided attached to luminaire. Extension cables are available (see page 3).
7	ArcSystem Pro One-Cell or One-Cell Small luminaire ARCP1 or ARCP1S	

Note: The illustration is not drawn to scale.

D4 CC DRIVER WIRING DIAGRAM



	Description	Notes
1	ArcSystem Pro D4 CC Driver	ARCPD4DRDMCCMMW ARCPED4DRDMCCMMW (Emergency)
2	Input power	0.5–10 mm ² (22–6 AWG) line/neutral, 2.5–10 mm ² (14–6 AWG) ground 100–240 VAC, 50/60 Hz or 277 VAC, 50/60 Hz (models ending in “-277”) ARCPD4DRDMCCMMW: normal branch circuit ARCPED4DRDMCCMMW: normal/emergency branch circuit from UL1008 automatic transfer switch (ATS) by others
3	Sense input power (emergency models only)	0.2–2.5 mm ² (24–14 AWG) line/neutral/ground 100–240 VAC, 50/60 Hz, normal branch circuit or 277 VAC, 50/60 Hz, normal branch circuit (models ending in “-277”) (ARCPED4DRDMCCMMW only)
4	DMX input from external DMX source	RJ45 connector, Cat5e (or equivalent) 0.2 mm ² (24 AWG) or larger conductors terminated to T568B standard
5	DMX thru to another ArcSystem Pro Driver or other device	RJ45 connector, Cat5e (or equivalent) 0.2 mm ² (24 AWG) or larger conductors terminated to T568B standard
6	Luminaire cable	18 AWG with Molex Mini-Fit connector, provided attached to luminaire. Extension cables are available (see page 3).
7	ArcSystem Pro One-Cell or One- Cell Small luminaire ARCP1 or ARCP1S	
Note: The illustration is not drawn to scale.		

PHYSICAL

Pro One-Cell Small Dimensions

MODEL	HEIGHT		WIDTH		DEPTH	
	in	mm	in	mm	in	mm
Adjustable*	5.03	128	4.33	110	3.44	87
Yoke	6.08	154	4.65	118	3.54	90

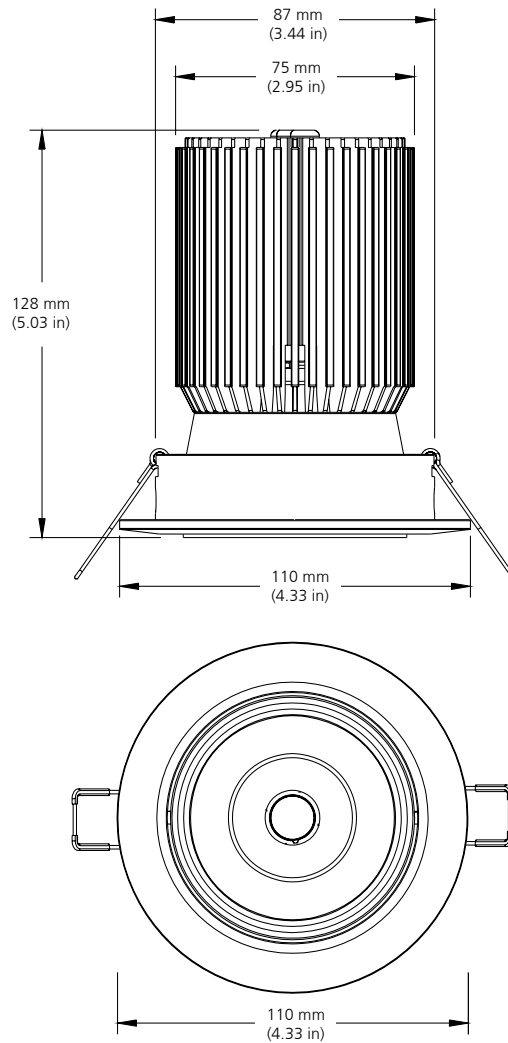
*Recommended hole cut-out: 100 mm / 3.93 in

Pro One-Cell Small Weights

MODEL	WEIGHT*		SHIPPING WEIGHT	
	lb	kg	lb	kg
Adjustable	3.08	1.40	3.5	1.60
Yoke	2.50	1.13	3.0	1.36

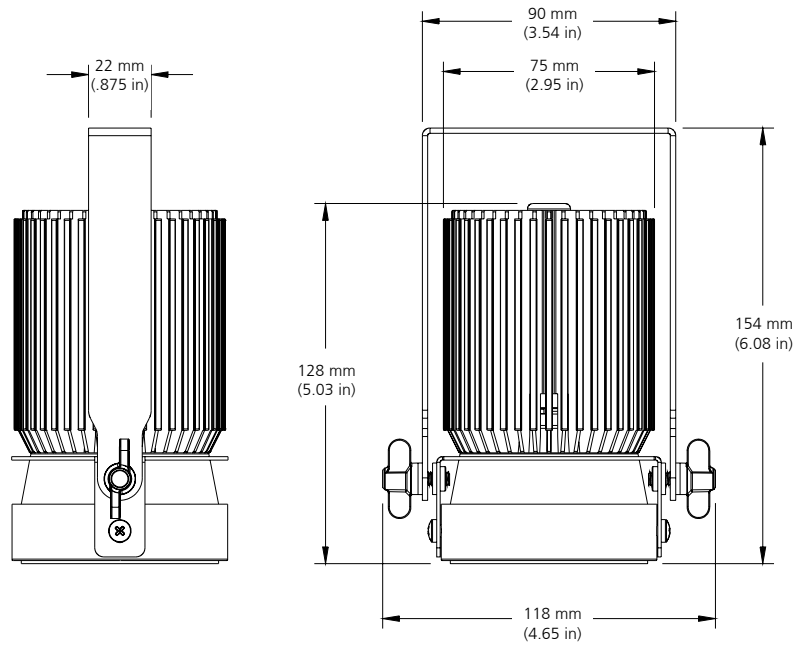
*Does not include mounting hardware

PRO ONE-CELL SMALL ADJUSTABLE



PHYSICAL

PRO ONE-CELL SMALL YOKE



Corporate Headquarters • Middleton, WI USA

Global Offices • London, UK • Rome, IT • Holzkirchen, DE • Paris, FR • Hong Kong
Dubai, UAE • Singapore • New York, NY • Orlando, FL • Los Angeles, CA • Austin, TX

©2023 ETC. All Rights Reserved. All product information and specifications subject to change. Rev I 2023-09

*Trademark and patent info: etconnect.com/IP • Third-party license agreement info: etconnect.com/licenses

etconnect.com