

BluesSystem LV Series



Type(s)
Project
Date
Notes

GENERAL INFORMATION

BlueBeam

The dimmable, directional BlueBeam is perfect for loading galleries, upstage crossovers, scenery docks, fly rails and other backstage spaces. With four flexible beam angles, BlueBeam can illuminate tight spaces or long throws up to 50 feet. BlueBeam comes in white and black color options to blend into any behind-the-scenes environment. An optional, snap-on cowl accessory neatly prevents unwanted light spill.

APPLICATIONS

- Onstage running lights
- Auditoriums
- Houses of worship
- Museums
- Studios

GENERAL

- Must be used with BluesSystem Power Supply (see separate datasheet)
- Five-year fixture warranty (ten-year LED array warranty)
- Ambient operating temperature 0° to 40° C (32° to 104° F)

OPTICAL

- Available in the following beam angles:
- VNSP (approx. 22 degrees)
- NSP (approx. 24 degrees)
- MFL (approx. 30 degrees)
- WFL (approx. 64 degrees)
- Light spill masking accessories available
- Single-color, 3 W blue LED emitter

ELECTRICAL

- Low Voltage 11–36 VDC operating range
- 3 W LED consumes 85 mA @ 36 V (130 mA @ 24 V)
- Three screw terminal connections on rear (power/ground/control)
- Must be used with BluesSystem power supply only
- Supplied with wiring harness and Wago connector for easy termination

GENERAL INFORMATION

MECHANICAL

- Supplied with two mounting screws
- Fits standard 51 mm mounting pattern UK electrical boxes
- Supplied with choice of adapter plate (see options below)
- Durable injection-molded housing

REGULATORY AND COMPLIANCE

- cETLus Listed
- Conforms to ANSI/UL STD 2108
- Certified to CSA STD. C22.2 No. 250.0
- CE Compliant

ORDERING INFORMATION

BLUEBEAM

BS				
MODEL	BEAM/DOME	COLOR	BEAM ANGLE	HOUSING COLOR
BS- BluesSystem	B- Beam	B- Blue	VNSP NSP MFL WFL	B- Black W- White

EXAMPLE

BS	B	B	MFL	W
----	---	---	-----	---

BSBBMFLW - BlueBeam, blue, MFL, white.



ACCESSORIES

BSEL - EYELID



BSC - COWL



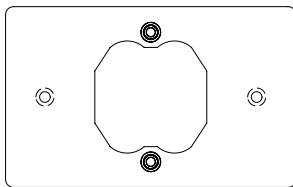
Both the eyelid and cowl accessories snap easily on to the front of a BlueBeam or BlueDome luminaire via the included accessory ring. The eyelid is designed for use with the BlueDome to shield glare when the luminaire is used at low level. The cowl is typically used on a BlueBeam that has been installed as a downlight, providing perfect light spill protection from onstage areas.

ADAPTER PLATE OPTIONS

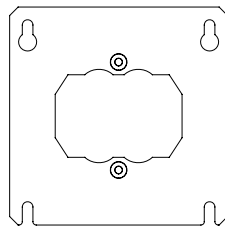
BlueBeam and BlueDome fixtures are supplied with your choice of adapter plate for mounting to standard electrical junction boxes as dictated by regional norms.

ELECTRICAL BOX ADAPTER PLATES FOR NORTH AMERICA

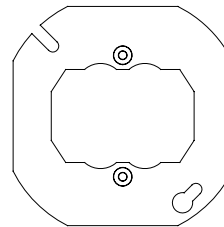
BS2.5SQUAREPLATE



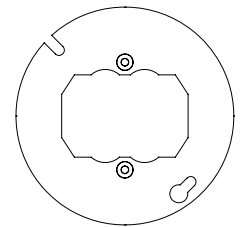
BS4SQUAREPLATE



BS4OCTOPLATE



BS4ROUNDPLATE

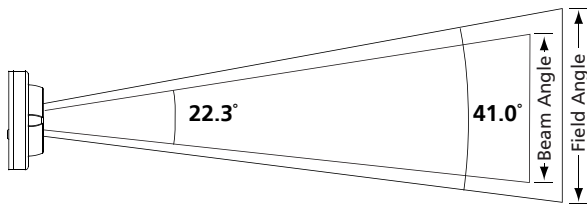


PHOTOMETRY INFORMATION

BlueBeam VNSP

Mode	Degree	Candela	Field Lumens	Beam Lumens	Power Consumption	Efficacy (lpw)
Full Intensity	22.3	53	8.0	4.0	4.5	1.7

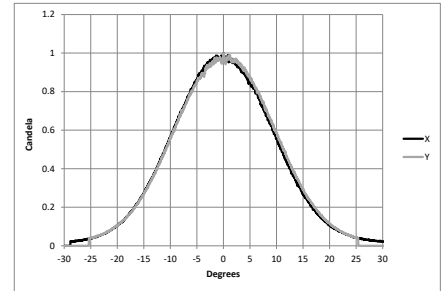
Metric conversions: For meters, multiply feet by 0.3048.
For lux, multiply footcandles by 10.76.



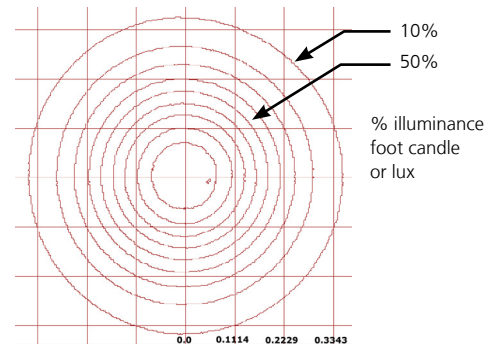
Throw Distance (d)	10 ft 3.0 m	15 ft 4.6 m	20 ft 6.1 m	25 ft 7.6 m
Field Diameter	7.5 ft 2.3 m	11.2 ft 3.4 m	14.9 ft 4.6 m	18.7 ft 5.7 m
Illuminance (fc)	1	0	0	0
Illuminance (lux)	6	3	1	1

For field diameter at any distance, multiply distance by 0.747.
For beam diameter at any distance, multiply by 0.394.

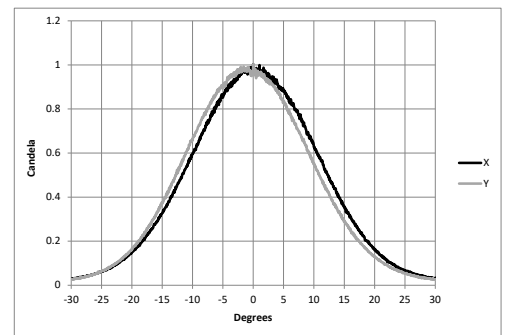
Candela Plot



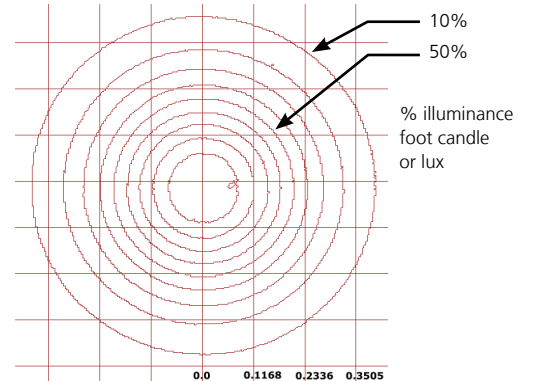
Iso-Illuminance Diagram (Flat Surface Distribution)



Candela Plot



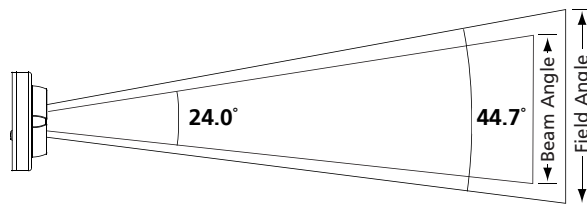
Iso-Illuminance Diagram (Flat Surface Distribution)



NSP

Mode	Degree	Candela	Field Lumens	Beam Lumens	Power Consumption	Efficacy (lpw)
Full Intensity	24.0	48	8	4	4.5	1.8

Metric conversions: For meters, multiply feet by 0.3048.
For lux, multiply footcandles by 10.76.



Throw Distance (d)	10 ft 3.0 m	15 ft 4.6 m	20 ft 6.1 m	25 ft 7.6 m
Field Diameter	8.2 ft 2.5 m	12.3 ft 3.8 m	16.4 ft 5.0 m	20.5 ft 6.3 m
Illuminance (fc)	0	0	0	0
Illuminance (lux)	5	2	1	1

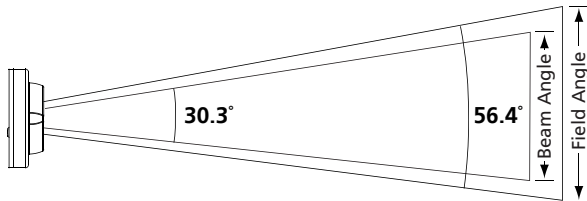
For field diameter at any distance, multiply distance by 0.821.
For beam diameter at any distance, multiply by 0.425.

PHOTOMETRY INFORMATION

BlueBeam MFL

Mode	Degree	Candela	Field Lumens	Beam Lumens	Power Consumption	Efficacy (lpw)
Full Intensity	30.3	27	7	3	4.5	1.6

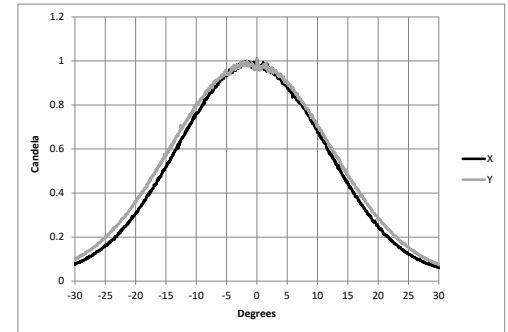
Metric conversions: For meters, multiply feet by 0.3048.
For lux, multiply footcandles by 10.76.



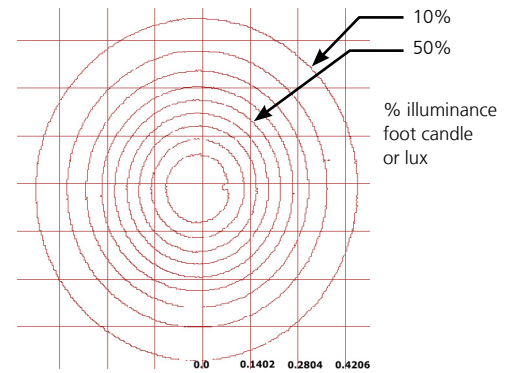
Throw Distance (d)	10 ft	15 ft	20 ft	25 ft
	3.0 m	4.6 m	6.1 m	7.6 m
Field Diameter	10.7 ft	16.1 ft	21.4 ft	26.8 ft
	3.3 m	4.9 m	6.5 m	8.2 m
Illuminance (fc)	0	0	0	0
Illuminance (lux)	3	1	1	0

For field diameter at any distance, multiply distance by 1.071.
For beam diameter at any distance, multiply by 0.541.

Candela Plot



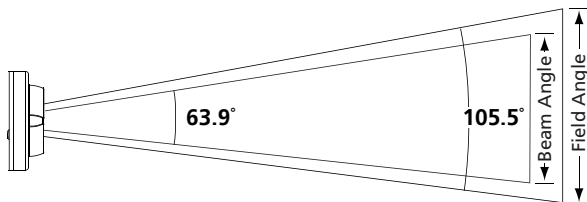
Iso-Illuminance Diagram (Flat Surface Distribution)



BlueBeam WFL

Mode	Degree	Candela	Field Lumens	Beam Lumens	Power Consumption	Efficacy (lpw)
Full Intensity	63.9	9	9	4	4.5	1.9

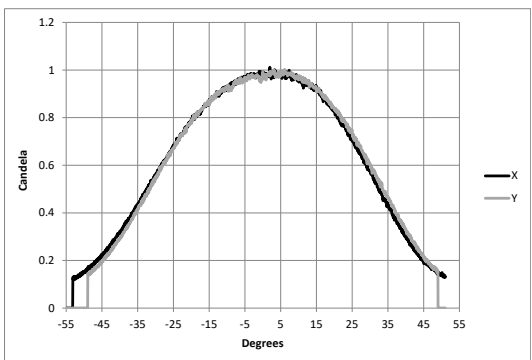
Metric conversions: For meters, multiply feet by 0.3048/
For lux, multiply footcandles by 10.76.



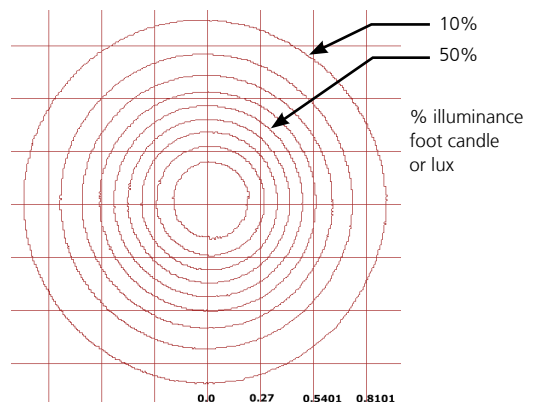
Throw Distance (d)	10 ft	15 ft	20 ft	25 ft
	3.0 m	4.6 m	6.1 m	7.6 m
Field Diameter	26.3 ft	39.5 ft	52.6 ft	65.8 ft
	8.0 m	12.0	16.0 m	20.0 m
Illuminance (fc)	0	0	0	0
Illuminance (lux)	1	0	0	0

For field diameter at any distance, multiply distance by 2.630.
For beam diameter at any distance, multiply by 1.247.

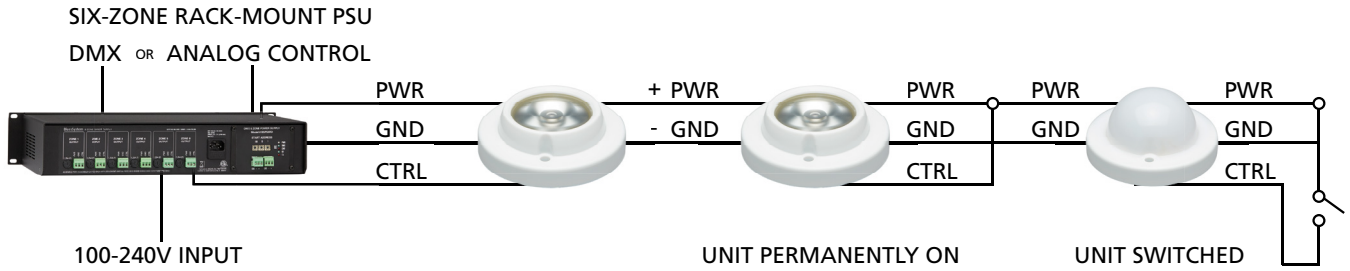
Candela Plot



Iso-Illuminance Diagram (Flat Surface Distribution)



POWER SUPPLY EXAMPLE



PHYSICAL

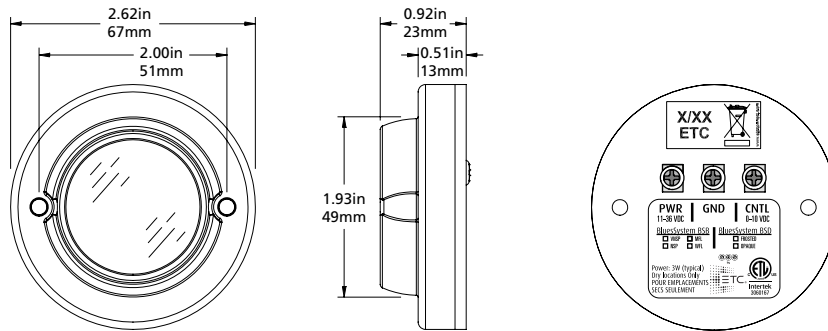
Product Dimensions

MODEL	HEIGHT		WIDTH		DEPTH	
	in	mm	in	mm	in	mm
BlueBeam	2.62	67	2.62	67	0.92	23

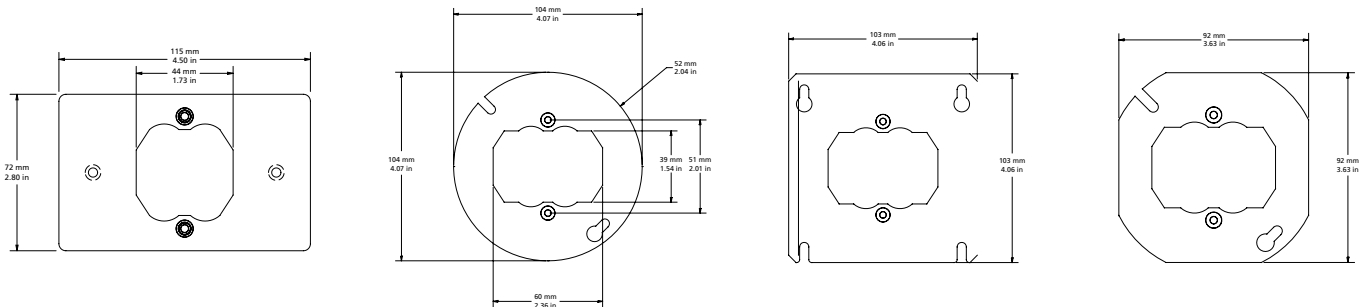
Product Weight

MODEL	WEIGHT		SHIPPING WEIGHT	
	lb	kg	lb	kg
BlueBeam	0.13	0.06	0.28	0.125

BLUEBEAM



NORTH AMERICAN ADAPTER PLATES



Corporate Headquarters • Middleton, WI USA
Global Offices • London, UK • Rome, IT • Holzkirchen, DE • Paris, FR • Hong Kong
Dubai, UAE • Singapore • New York, NY • Orlando, FL • Los Angeles, CA • Austin, TX
Copyright©2023 ETC. All Rights Reserved. All product information and specifications subject to change. Rev E 2023-02
*Trademark and patent info: etconnect.com/IE