



Type(s)
Project
Date
Notes

GENERAL INFORMATION

A member of ETC’s Echo family of lighting control and power control products, the Echo Architectural Control Processor (E-ACP) brings Echo control to the Unison DRd power control family. The Echo Processor works with any Unison DRd to provide the flexibility of a modular power-control rack to any installation. With support for control stations, DMX input, and Ethernet, the Echo Processor can be easily adapted to your needs.

APPLICATIONS

- Houses of worship
- Education
- Hospitality
- Healthcare facilities
- Office buildings
- Conference rooms
- Meeting rooms
- Retail

FEATURES

- Designed for use with any EchoConnect-enabled station, sensor, or power controller
- Snapshot: connect a DMX input, or set levels locally and then save to a Preset with the touch of a button
- Plug and Play: ready to go out of the box, no software or external programming required
- Secure-It User Access: multiple levels of secure user access at the interface
- EchoConnect: Two-wire, topology-free system provides the freedom to put stations where you need them
- NetConnect: low-cost, easy-to-install Ethernet for data input from Net3 and sACN products
- USBConnect: support for USB flash drives for configuration upload and download
- QuickLoad: media support for upload and backup of processor and DRd rack configuration data
- Support for up to 64 presets and 16 spaces

REGULATORY AND COMPLIANCE

- cULus Listed
- CE Compliant

ORDERING INFORMATION

Unison Echo Architectural Control Processor

Model	Description
E-ACP	Echo Architectural Control Processor

Note: Requires a compatible power-control enclosure from the Unison DRd family

DRd Power Control Enclosures

Model	Description
DRd6	6-Module (12-Circuit) Power Enclosure
DRd12	12-Module (24-Circuit) Power Enclosure

Echo Power Requirements

EchoConnect	One unit of output power
Auxiliary Power	not required

Echo Presets

Supports 64 Echo Presets



SPECIFICATIONS**MECHANICAL**

- Designed for use in Unison DRd enclosures
- Microprocessor-based, solid-state technology to provide multi-scene lighting
- Fully-contained plug-in assembly with no discrete wire connections
- Front-panel user interface with backlit LCD
- Support for Secure Digital (SD) and Universal Serial Bus (USB) media on the front panel

FUNCTIONAL

- Capacity
 - Supports 512 zones of control
 - Supports one physical DMX port for data input and one DMX thru port for DMX data through to other devices
 - Supports sACN data input for level control, up to four universes and six simultaneous sources (requires option card)
- Configuration Data
 - Stored in non-volatile flash memory
 - Ability to load to and from removable media (SD and USB)
- Local user interface
 - Access to Dimming Setup and Status
 - Control for channels, presets, and sequence
- Stations and Sensors
 - Connects to an Echo Processor via topology-free EchoConnect control network
 - Supports up to 16 Echo control products, including stations and sensors
 - Supports up to 15 additional Echo output products, including distributed relays and dimmers
- Operation
 - Support for 16-bit DMX attributes
 - Supports ETC Dimmer Doubling
 - Activate/Deactivate presets
 - Preset fade up, fade down, and hold times up to 60 minutes and 59 seconds
 - Synchronized control of up to 16 Echo output products (distributed power controllers/panel products)

ELECTRICAL

- No discrete wiring connections required
- One ESTA DMX512A input and thru port
- Supports ANSI E1.31 (streaming ACN)
- EchoConnect communication bus
 - Topology-free station wiring, utilizing Belden 8471 or equivalent, and one 2.5 mm² (14 AWG) ESD drain wire
- System configuration and programming information stored in non-volatile flash memory

THERMAL

- Ambient room temperature: 0°–40°C (32°–104°F)
- Ambient humidity: 10%–90%, non-condensing

ECHO FAMILY OF PRODUCTS

EchoConnect Power Supplies

MODEL	DESCRIPTION
E-SPS	6 U Room Station Power Supply, Knockout Mount
E-SPS-DIN	16 U DIN rail Station Power Supply with 24 V Aux
E-SPM-A	16 U DRd Station Power Module with 24 V Aux
E-APS	24 V Aux Power Supply, Knockout Mount

EchoTouch

MODEL	DESCRIPTION
ETS	EchoTouch Controller Mk2

Echo Stations

MODEL	DESCRIPTION
E1001	Inspire One Button Station
E1002	Inspire Two Button Station
E1004	Inspire Four Button Station
E1006	Inspire Six Button Station
E1008	Inspire Eight Button Station
E1104	Inspire Four Button with Fader Station
EPS05	Echo Preset Station - 5 Button
EPS10	Echo Preset Station - 10 Button
EPSKS	Echo Keyswitch Station
E-ATC	Echo TimeClock

Echo Responsive Controls

MODEL	DESCRIPTION
ELS	Light Sensor
EOCC	Ceiling-Mount PIR Occupancy Sensor
EVAC	Ceiling-Mount PIR Vacancy Sensor
E-DOC-C	Ceiling-Mount Dual Tech Occupancy Sensor
E-DVAC-C	Ceiling-Mount Dual Tech Vacancy Sensor
E-DOC-W	Wall-Mount Dual Tech Occupancy Sensor
E-DVAC-W	Wall-Mount Dual Tech Vacancy Sensor
E-DOC-SM1	Switch-Mount Dual Tech Sensor - One Button
E-DOC-SM2	Switch-Mount Dual Tech Sensor - Two Button

Echo Interfaces

MODEL	DESCRIPTION
EACC	EchoAccess Interface
EEB	Echo Expansion Bridge
EDMXC	Echo DMX Scene Controller
EEl	Echo-Echoflex Interface
ECII	Echo Contact Input Interface
ECOI	Echo Contact Output Interface
EDRI	Echo Demand Response Interface
EBl	Echo BACnet Interface
EII	Echo Integration Interface

Zone Controllers

MODEL	DESCRIPTION
ERC-G2	One Zone Relay Controller
EDRC-G2	Two Zone Relay Controller
ELD-G2	One Zone 0–10 V Controller
EDLD-G2	Two Zone 0–10 V Controller
ESSC-G2	One Zone SmartSpace Controller
EDSSC-G2	Two Zone SmartSpace Controller
ELVD-G2	600-Watt Phase Adaptive Dimmer (120 V)
ELVD-277-G2	600-Watt Phase Adaptive Dimmer (277 V)
ELVD-G2-MLV	600-Watt Forward Phase Dimmer (120 V)
ELVD-277-G2-MLV	600-Watt Forward Phase Dimmer (277 V)

Room Controllers

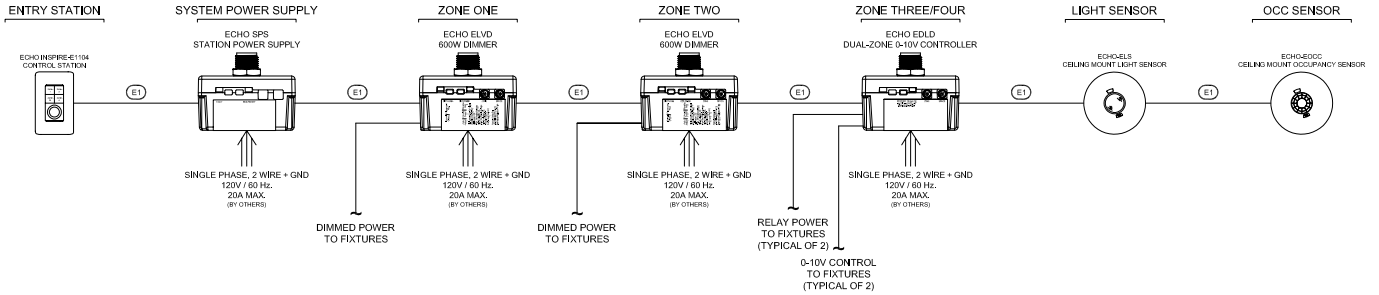
MODEL	DESCRIPTION
ERMC4-G2	Four Zone Room Controller
ERMCT4-G2	Four Zone Room Controller with TimeClock
ERMC8-G2	Eight Zone Room Controller
ERMCT8-G2	Eight Zone Room Controller with TimeClock

Panel Products

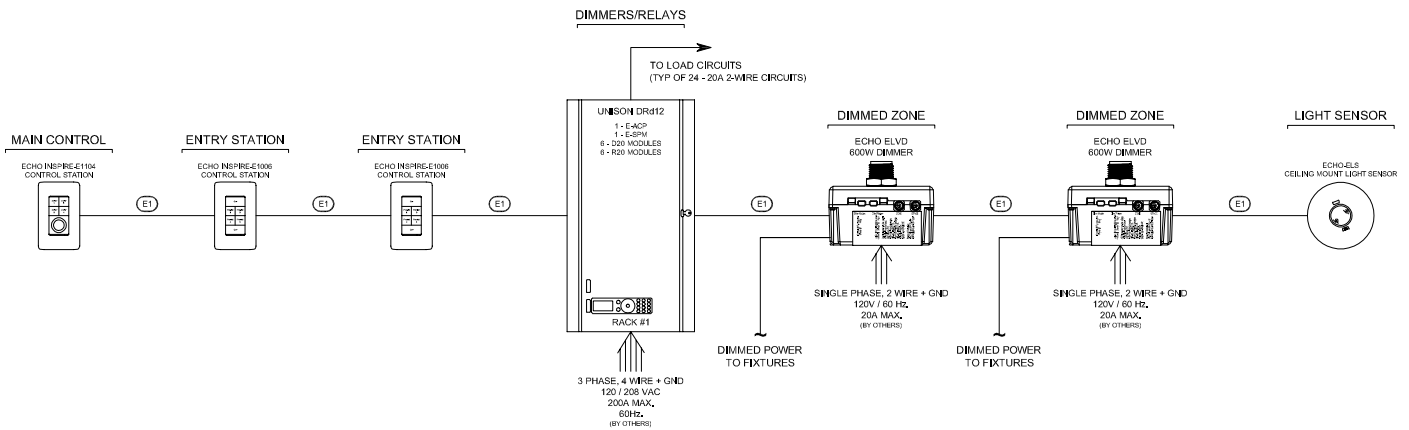
MODEL	DESCRIPTION
ERP	Echo Relay Panel Mains Feed
ERPA	Echo Relay Panel Mains Feed 277V
ERP-FT	Echo Relay Panel Feedthrough
IQ	Sensor IQ Intelligent Breaker System
SR3	Sensor3 Power Control System
DRd	Unison DRd with Echo Control

SAMPLE ECHO SYSTEMS

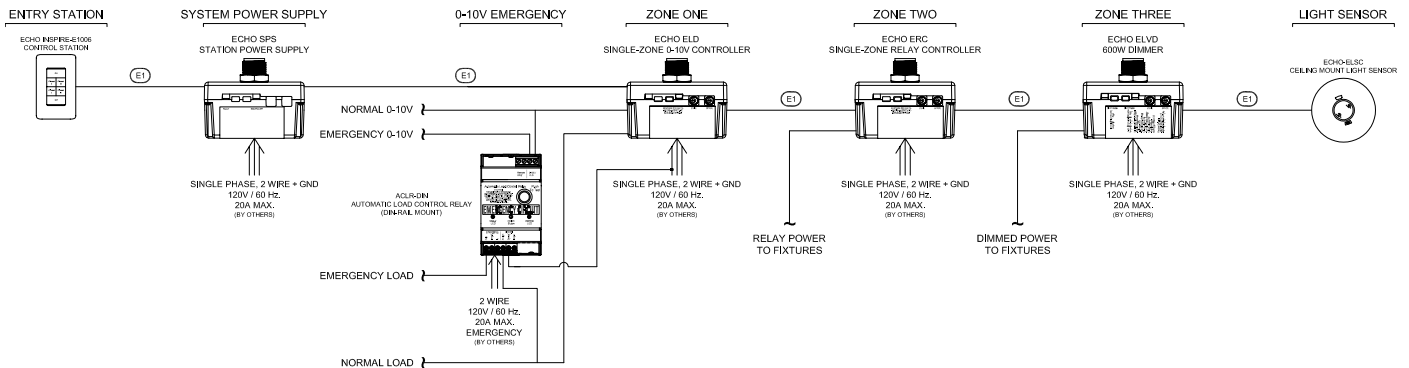
SMALL SYSTEM



MEDIUM SYSTEM

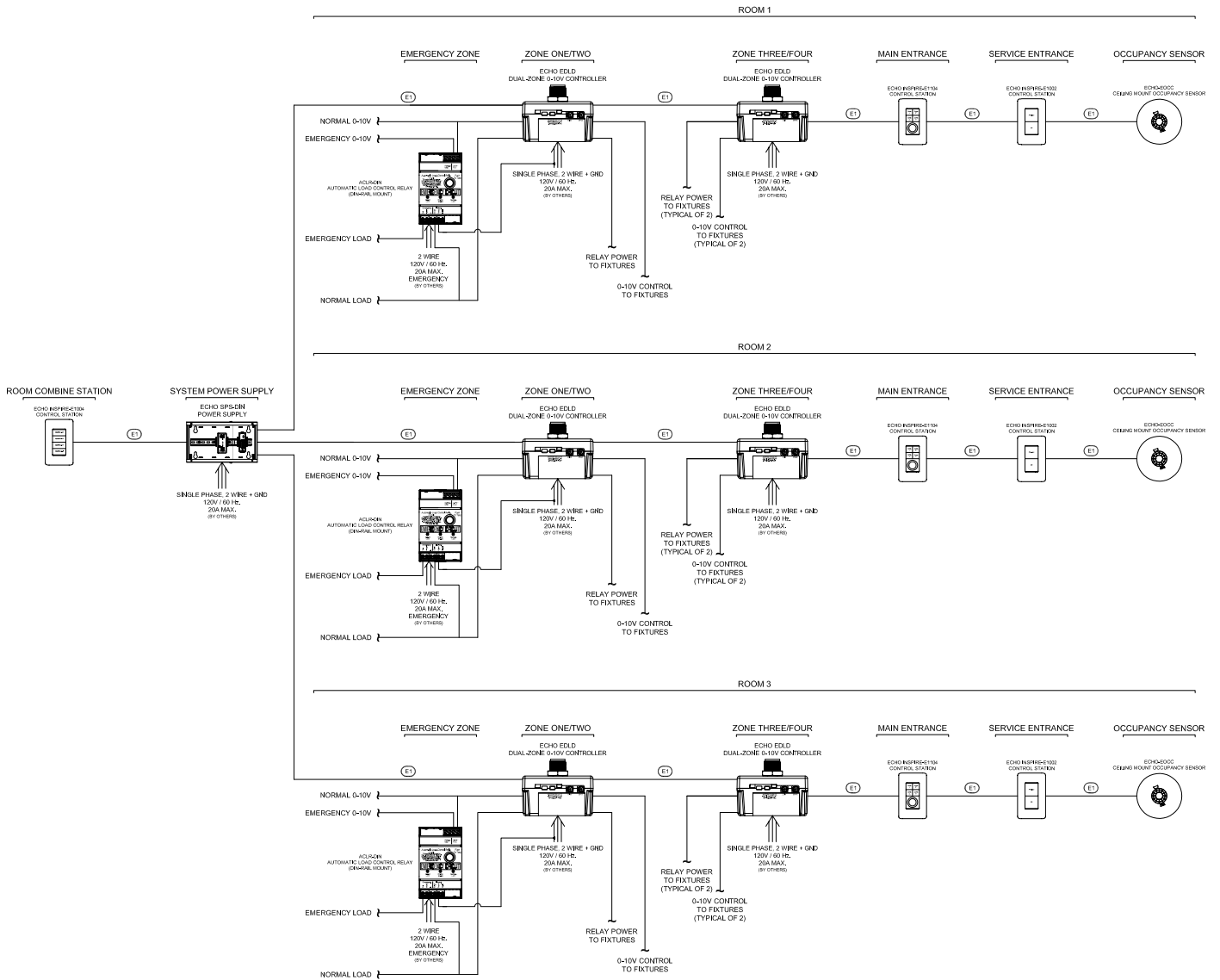


CONFERENCE ROOM



SAMPLE ECHO SYSTEMS

MEDIUM BALLROOM



PHYSICAL

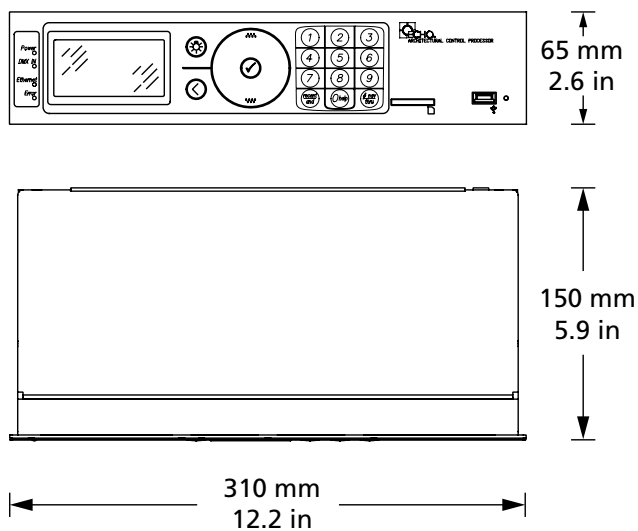
Processor Dimensions**

Model	Height		Width		Depth	
	in	mm	in	mm	in	mm
E-ACP	2.6	66	12.2	310	5.9	150

Processor Weights**

Model	Weight		Shipping Weight	
	lb	kg	lb	kg
E-ACP	2.6	1.2	5.0	2.3

**Weights and dimensions typical



Corporate Headquarters • Middleton, WI USA

Global Offices • London, UK • Rome, IT • Holzkirchen, DE • Paris, FR • Hong Kong
Dubai, UAE • Singapore • New York, NY • Orlando, FL • Los Angeles, CA • Austin, TX

Copyright©2021 ETC. All Rights Reserved. All product information and specifications subject to change. Rev I 2021-03

*Trademark and patent info: etcconnect.com/IE

etcconnect.com