



GENERAL INFORMATION

The Eos fader wings may be used to provide extended playbacks for Eos Ti, Gio, Gio @5, Ion, Ion Xe, Ion Xe 20, Eos/Ion/Ion Xe RPU's, RVIs, ETCnomad (PC or Mac native) and ETCnomad Puck.

Up to three wings may be attached to any of these devices. There are two wings – a x40 and x20. The x40 has 40 45mm faders, four 4.2" high-resolution monochrome LCDs and two control buttons. The x20 includes 20 faders, two displays and two control buttons per fader. The wing provides power sensing and automatically turns on when both an active USB data connection and mains power are provided via the external 12V power supply.

Connected devices must be running Microsoft Windows 7 or higher or Mac OSX 10.11 (El Capitan) or later. These wings are NOT compatible with Windows XP.

FEATURES

- Pageable playbacks (100 pages are supported)
- Paging/bank conventions are determined in a setup menu
- Button/fader and configuration mapping displayed via high-resolution displays.
- Two powered USB ports
- VESA 100x100mm mountable
- Kensington Lock compatible locking point

INTERFACES

- AC Input (100 – 240VAC at 50/60Hz) with external power supply
- Two USB ports

ORDERING INFORMATION

Eos Fader Wings

| MODEL | DESCRIPTION |
|-----------|----------------------------|
| Eos FW 40 | Eos Standard Fader Wing 40 |
| Eos FW 20 | Eos Standard Fader Wing 20 |

Eos Fader Wing Accessories

| MODEL | DESCRIPTION |
|-----------------------------|-------------------------------------|
| Eos 2W FC | Eos Combined Wing Flight Case |
| Eos PGW | Eos Programming Wing |
| ETCnomad (512 or 6144) | ETCnomad (512 or 6,144 Output Kit) |
| ETCnomad Puck (512 or 6144) | ETCnomad Puck (512 or 6,144 Output) |

Ships with

- Power supply
- IEC power cord
- Dust cover
- USB cable

The wing is compatible with

- Eos Ti
- Gio
- Gio @5
- Ion (Windows 7 only)
- Ion Xe and Ion Xe 20
- Eos/Ion/Ion Xe Remote Processor Units
- RVI/RVI3
- ETCnomad for PC/Mac (requires ETCnomad Lighting Controller Kit and output device)
- ETCnomad Puck

Note: These wings are not supported on Element or any Windows XP devices.

PHYSICAL

Eos Fader Wing Dimensions*

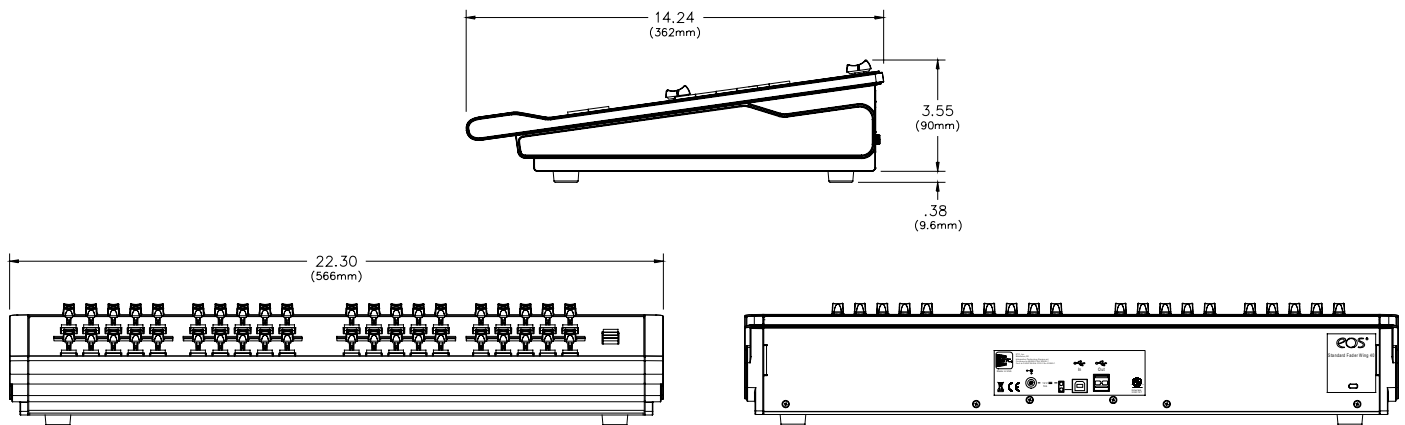
| MODEL | HEIGHT | | WIDTH | | DEPTH | |
|----------------------------|--------|-----|--------|-----|--------|-----|
| | inches | mm | inches | mm | inches | mm |
| Eos FW 40 | 3.93 | 100 | 22.30 | 566 | 14.24 | 362 |
| Eos FW 20 | 3.93 | 100 | 12.10 | 307 | 14.24 | 362 |
| Eos FW 40 with Flight Case | 7.75 | 197 | 26.75 | 679 | 18.50 | 470 |
| Eos FW 20 with Flight Case | 7.75 | 197 | 17.00 | 432 | 18.50 | 470 |

Eos Fader Wing Weights*

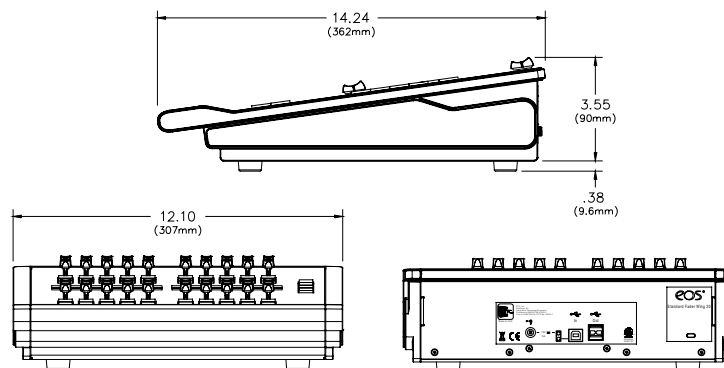
| MODEL | WEIGHT | | SHIPPING WEIGHT | |
|-----------|--------|------|-----------------|------|
| | lbs | kgs | lbs | kgs |
| Eos FW 40 | 8.5 | 3.86 | 13.5 | 6.13 |
| Eos FW 20 | 5.0 | 2.27 | 9.3 | 4.22 |

*Weights and dimensions typical

EOS FADER WING 40



EOS FADER WING 20



Corporate Headquarters • 3031 Pleasant View Rd, PO Box 620979, Middleton WI 53562 0979 USA • +1 608 831 4116
London, UK • Unit 26-28, Victoria Industrial Estate, Victoria Road, London W3 6UU, UK • +44 (0) 20 8896 1000
Rome, IT • Via Pieve Torina, 48, 00156 Rome, Italy • +39 (06) 32 111 683
Holzkirchen, DE • Ohmstrasse 3, 83607 Holzkirchen, Germany • +49 (80 24) 47 00-0
Hong Kong • Room 1801, 18/F, Tower 1 Phase 1, Enterprise Square, 9 Sheung Yuet Road, Kowloon Bay, Kowloon, Hong Kong • +852 2799 1220
Web • etconnect.com • Copyright©2017 ETC. All Rights Reserved. All product information and specifications subject to change. 4240L1023 Rev B 10/17