



Type(s)
Project
Date
Notes

GENERAL INFORMATION

ETC, the market leader in automated luminaire innovation, brings you the next generation hallmark of white light Framing fixtures. High End Systems Halcyon Platinum, the flagship product in the Halcyon Framing family of fixtures, has 54,000 lumens of output and a boost mode with over 70,000 lumens of output in a 99 lb frame. Outperforming fixtures of the past by as much as 20,000 lumens, Halcyon Platinum also has an extreme feature set with everything a user needs to light shows of shapes and sizes.

Applications

- Houses of worship
- Arenas and stadiums
- Medium to large-sized performance venues
- Cruise ships and themed entertainment
- Production rental companies
- Trade show and ballroom AV
- Film

Product Features

- Bright white LED engine
- 1200 W LED engine
- Standard mode output exceeds 54,000 lumens
- Boost mode exceeding 70,000 lumens
- High quality 13-lens optic system
- Extremely powerful 6°–64° zoom
- Optimized CMY and CTO color mixing for even hue control
- Six position plus open color wheel
- Full-curtain framing system for total control of beam shaping
- 16-blade iris for extremely tight beam effects
- Trifusion frost system with linear insertion from light to heavy and everything in between
- Two, 7 position plus open Rotating Gobo Wheels
- Dual prisms for compound beam and projection effects
- Rotating Animation Wheel with linear positioning and angular control
- Patented Whisper Home technology for quiet pan and tilt calibration/homing at boot with minimal movement

ORDERING INFORMATION

Model	Description
HAL-P-UB-MI	Halcyon Platinum, Black, Ultra-Bright in Molded Insert, Boxed
HAL-P-HF-MI	Halcyon Platinum, Black, High Fidelity in Molded Insert, Boxed
RC-HAL-P	Road Case, Holds One (1) Halcyon Platinum Fixture in Molded Insert

Color Options: Fixtures ship standard in black. White available by request.
Included Accessories: Fixture includes two (2) Omega brackets, one (1) fixture power cord, bare ends to powerCON® TRUE1® TOP input, and a safety cable.

Accessories

Model	Description
HAL-P-SNOOT	Top Hat, Snoot for Halcyon Platinum
2560B7005	Fixture Power Cord Upgrade, Stage Pin to powerCON TRUE1 TOP, 20 A
2560B7006	Fixture Power Cord Upgrade, L6-20 to powerCON TRUE1 TOP, 20 A
2560B7007	Fixture Power Cord Upgrade, L5-20 to powerCON TRUE1 TOP, 20 A
67040007	MegaClaw™
55040014	Cheeseborough 2" Alloy 1/2 Coupler Truss Clamp
67040010	Mini-Claw™



PRODUCT SPECIFICATIONS

Source

Engine	Ultra-Bright	High Fidelity
LED Details	1200 W Hot-Spot Engine	1200 W Flat Field Engine
Field Lumens	See photometrics on page 4	
Max Integrating Sphere Lumens	54,000 lm (standard) 70,000 lm (boost)	38,000 lm (standard) 46,000 lm (boost)
LPW	45	31
LED Life	50,000 hours	50,000 hours
Native CCT	6500 K	5800 K

Color

Color Mixing	Cyan, magenta, yellow, CTO
Color Temperature	Variable down to 2200 K
Color Wheel	Six (6) dichroic colors plus open

Optical

Beam Angle Range	6°–64°
Gate Size	30 mm
Aperture Size	180 mm
Pattern Projection	Two rotating and indexable wheels with seven (7) interchangeable patterns plus open on each
Animation	- Bi-directional rotating animation wheel with linear insertion, and variable angle - LED Animation
Prism	Five-facet star and four-facet linear rotating prism with simultaneous insertion
Diffusion	Light, Medium, and Heavy frost seamlessly controlled with Trifusion control.
Iris	16-blade iris
Framing	Four-plane, full-curtain framing system with 180° module rotation
Flicker Control/Hz Range	2.4 kHz and 16 kHz

Control

Input Method	DMX (5-pin) or Ethernet
Protocols	DMX via RS-485 Art-Net or sACN via Ethernet
Ethernet Pass-Thru	Passive Ethernet in and thru with and without power
Data Conversion	Patented data conversion system for Ethernet to DMX
Modes (Footprint)	Standard (60 channels)
RDM Functions	Yes
UI Type	Full-color graphical UI with touch screen and 5-button navigational control NFC Configuration
Local Control	Yes
Dimming Performance	16-bit, DMX controlled

Notes: All LED sources experience some lessening of light output and some color shift over time. LED output will vary with thermal conditions. Thermal conditions can be affected by ambient temperatures and orientation.

Electrical

Voltage Range	120–240 V 50–60 Hz
Input Method	powerCON TRUE1 TOP
Wattage (Standard/Boost/Max/Standby)	1332 W / 1707 W / 1820 W / 39 W
Current (Max)	15.3 A @ 120 V
Inrush (First Half Cycle)	120 V: 69 A 230 V: 91 A
Fixtures per Circuit	1 fixture (R20 module or similar) Note: TRUE1 TOP connector rated for 20 A (120 V / 60 Hz) and 16 A (240 V / 50 Hz)

Thermal

Ambient Operating Temp	-10°–40°C (14°–104°F)
Fan Mode	Standard, Studio, and Linear Continuous control channel

Physical

Pan and Tilt Range	540° pan, 261° tilt
Max Pan/Tilt Speed	360° in 2.83 s / 180° in 1.97 s
Encoders	Whisper Home, absolute encoders
Materials	Steel and aluminum frame with molded plastic covers
Color Options	Black, white by request
Mounting Options	Any orientation
IP Rating	IP20
Weight	45 kg (99 lb)
Included Accessories	powerCON TRUE1 TOP to bare end fixture tail Two (2) clamp brackets Safety cable

Warranty

Fixture Warranty	Five (5) years for light engine Two (2) years for complete fixture
Warranty Details	etcconnect.com/Support/Warranty.aspx

Regulatory & Compliance

Approved regulatory standards	cETLus Listed Listed to UL 1573 Certified to CSA STD. C22.2 No: 166 CE Compliant UKCA Compliant
Complies to the ROHS directive	Yes

Safety

Safety	Minimum distance to illuminated surface = 4.0 m (13.1 ft) Minimum distance from fixture head to combustible materials = 0.1 m (4.0 in)
--------	---

FEATURE DETAILS

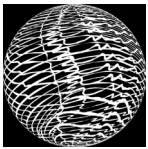
Rotating Gobo Details

Outside Diameter	30.0 mm (1.18 in)
Image Diameter	24 mm (0.94 in)
Materials	0.5 mm aluminum 1.1 mm glass Borofloat®

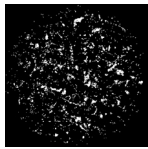
Rotating Gobo Wheel 1

Rotating Gobo Wheel 2

1 - Wiggle Lines



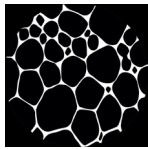
1 - Texture Drops



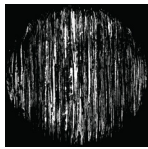
2 - Mycelium



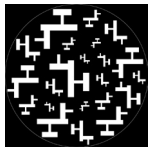
2 - Lovely Bubbly



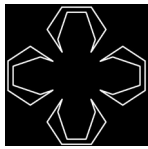
3 - Bob's Brush



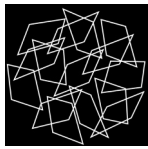
3 - Art Ducko



4 - The Claw



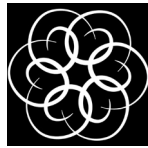
4 - Window Matrix



5 - Cut Cone



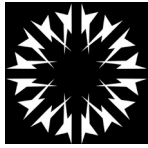
5 - Swirly Gig



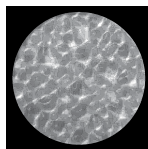
6 - Split-S



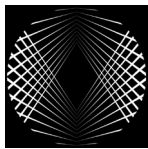
6 - Fenced In



7 - Ice



7 - The Only Way Is Up



Color Wheel Details

Shape	Interchangeable wedge
Materials	1.1 mm glass Borofloat

1 - Red



2 - Blue



3 - TM-30



4 - Orange



5 - Dark Blue

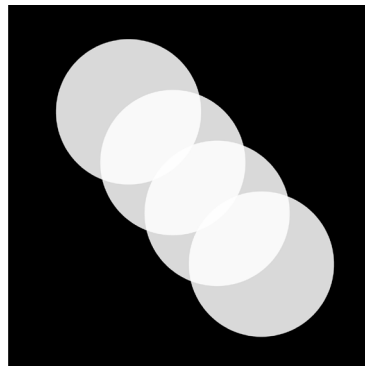
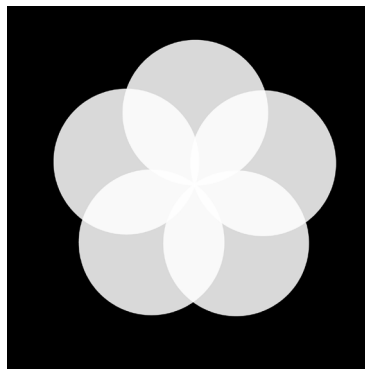


6 - CTB



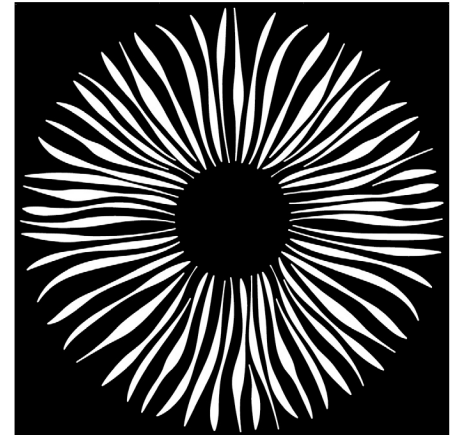
Prism Details

Movement	Two prism flags with individual or simultaneous insertion
Materials	Molded optical glass



Animation Wheel Details

Movement	Bi-directional continuous rotation Linear insertion with 80° angular path range
Materials	0.8 mm aluminum



PHOTOMETRIC DATA

Halcyon Platinum - Ultra-Bright

	Degree	Candela	Field Lumens	Power Usage	Lumens Per Watt
Narrow	6°	3,178,500	19,670	1000 W	20
Medium	26°	321,000	43,691	1000 W	44
Wide	64°	54,400	44,647	1000 W	45

Note: Halcyon Platinum uses 1000 W in standard output modes.

Narrow - 6°

Throw Distance	10 ft 3.0 m	20 ft 6.1 m	30 ft 9.1 m	50 ft 15.2 m	200 ft 61 m
Field Diameter	1 ft 0.31 m	2.1 ft 0.65 m	3.1 ft 0.95 m	5.2 ft 1.59 m	21 ft 6.41 m
Illuminance (fc)	31,785	7,947	3,532	1,272	80
Illuminance (lux)	342,002	85,500	38,000	13,680	855

Medium - 26°

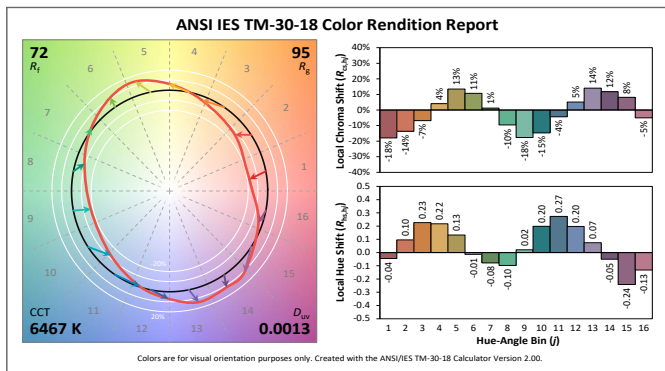
Throw Distance	10 ft 3.0 m	20 ft 6.1 m	30 ft 9.1 m	50 ft 15.2 m	200 ft 61 m
Field Diameter	4.6 ft 1.41 m	9.2 ft 2.82 m	13.9 ft 4.23 m	23.1 ft 7.04 m	92.3 ft 28.15 m
Illuminance (fc)	3,212	803	357	129	9
Illuminance (lux)	34,559	8,640	3,840	1,382	86

Wide - 64°

Throw Distance	10 ft 3.0 m	20 ft 6.1 m	30 ft 9.1 m	50 ft 15.2 m	200 ft 61 m
Field Diameter	12.5 ft 3.81 m	25 ft 7.62 m	37.5 ft 11.43 m	62.5 ft 19.05 m	249.9 ft 76.17 m
Illuminance (fc)	544	136	61	22	2
Illuminance (lux)	5,846	1,462	650	234	15

To determine center beam illumination in footcandles at any throw distance, divide candela by the throw distance squared.

Metric conversions: For meters, multiply feet by 0.3048.
For lux, multiply footcandles by 10.76.



Additional Color Metrics	
CRI R_a (R_g)	71 (-31)
TLCI	46

Halcyon Platinum - High Fidelity

	Degree	Candela	Field Lumens	Power Usage	Lumens Per Watt
Narrow	6°	1,696,700	12,185	1000 W	12
Medium	26°	184,300	27,507	1000 W	28
Wide	64°	32,900	29,681	1000 W	30

Note: Halcyon Platinum uses 1000 W in standard output modes.

Narrow - 6°

Throw Distance	10 ft 3.0 m	20 ft 6.1 m	30 ft 9.1 m	50 ft 15.2 m	200 ft 61 m
Field Diameter	1 ft 0.31 m	2.1 ft 0.65 m	3.1 ft 0.95 m	5.2 ft 1.59 m	21 ft 6.41 m
Illuminance (fc)	16,967	4,242	1,886	679	43
Illuminance (lux)	182,565	45,641	20,285	7,303	456

Medium - 26°

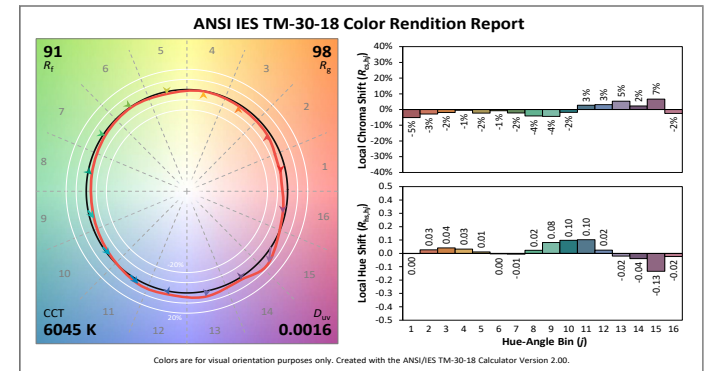
Throw Distance	10 ft 3.0 m	20 ft 6.1 m	30 ft 9.1 m	50 ft 15.2 m	200 ft 61 m
Field Diameter	4.6 ft 1.41 m	9.2 ft 2.82 m	13.9 ft 4.23 m	23.1 ft 7.04 m	92.3 ft 28.15 m
Illuminance (fc)	1,843	461	205	74	5
Illuminance (lux)	19,828	4,957	2,203	793	50

Wide - 64°

Throw Distance	10 ft 3.0 m	20 ft 6.1 m	30 ft 9.1 m	50 ft 15.2 m	200 ft 61 m
Field Diameter	12.5 ft 3.81 m	25 ft 7.62 m	37.5 ft 11.43 m	62.5 ft 19.05 m	249.9 ft 76.17 m
Illuminance (fc)	329	83	37	14	1
Illuminance (lux)	3,539	885	393	142	9

To determine center beam illumination in footcandles at any throw distance, divide candela by the throw distance squared.

Metric conversions: For meters, multiply feet by 0.3048.
For lux, multiply footcandles by 10.76.



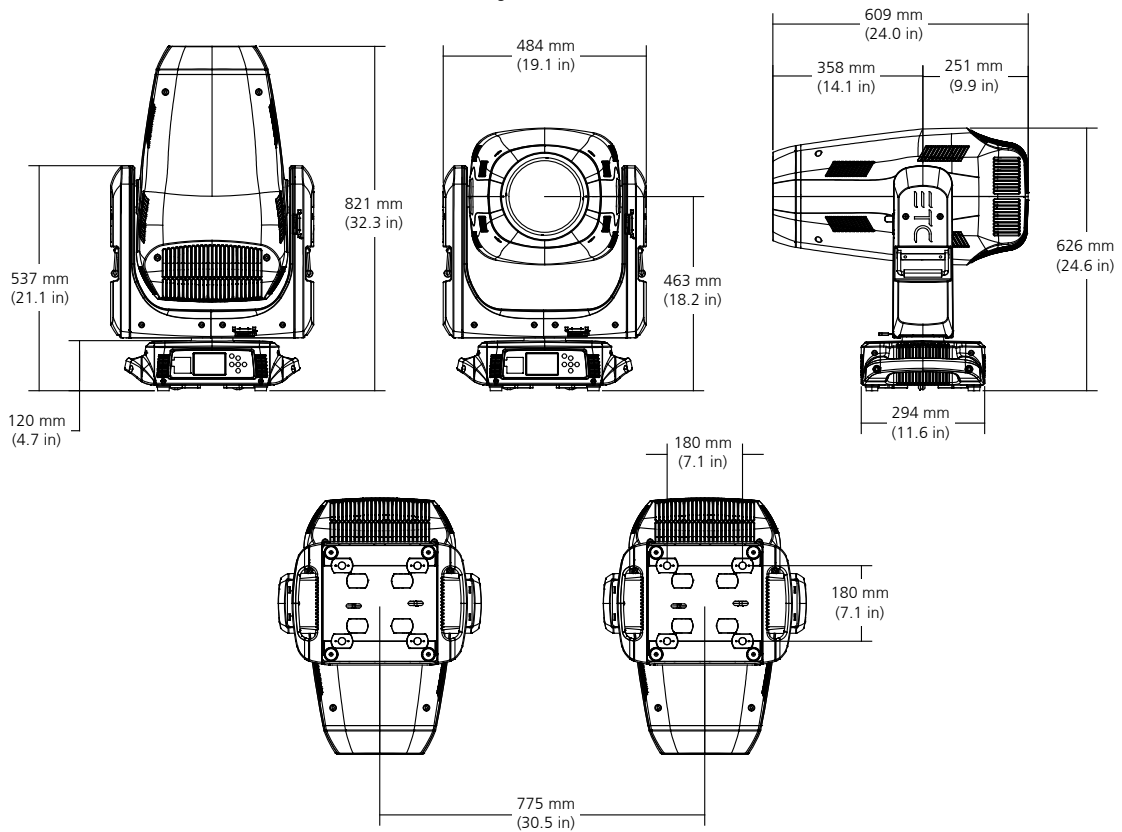
Additional Color Metrics	
CRI R_a (R_g)	93 (66)
TLCI	94

Product Dimensions

Model	Height		Width		Depth		Weight	
	in	mm	in	mm	in	mm	lb	kg
Halcyon Platinum**	32.3	821	19.1	484	11.6	294	99.0	45
Halcyon Platinum in Box with Molded Insert	30	762	22	558	30	762	140.0	63.5

**Does not include mounting hardware

Halcyon Platinum



Power Table

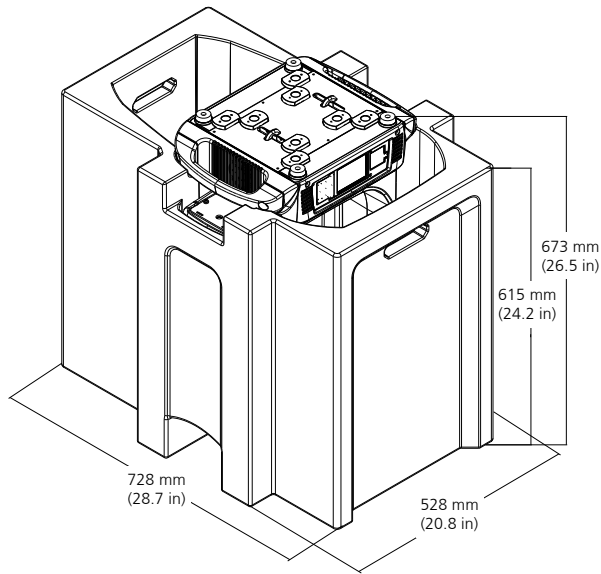
VAC	Amps	Hz	Watts	VA	PF
120	15.3	60	1820	1831	0.99
200	8.7	50	1703	1739	0.97
208	8.4	60	1694	1743	0.97
220	8.0	50	1699	1743	0.97
230	7.5	50	1666	1750	0.96
240	7.3	60	1692	1765	0.96

ADDITIONAL ORDERING INFORMATION

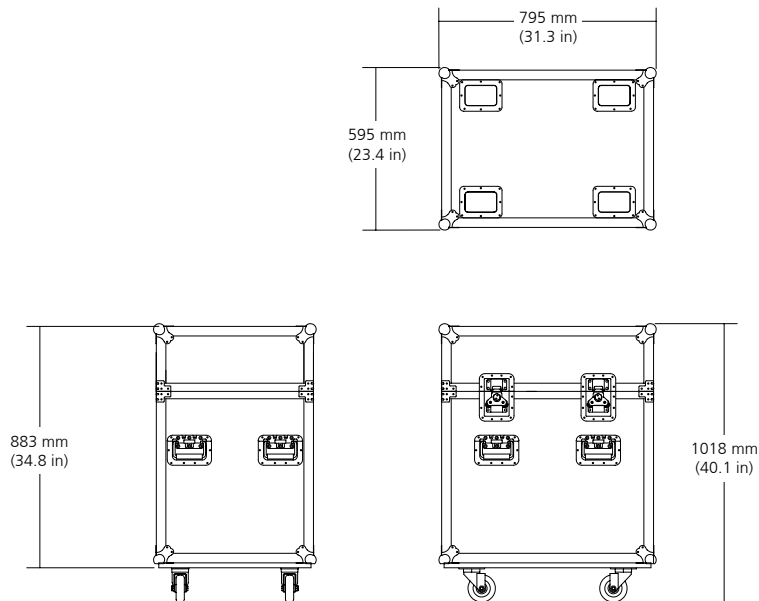
Additional Accessories

Model Number	Description
H7150008	Extra Omega brackets

Molded Case Insert Dimensions



Optional Roadcase Dimensions



Corporate Headquarters • Middleton, WI USA
 Global Offices • London, UK • Rome, IT • Holzkirchen, DE • Paris, FR • Hong Kong
 Dubai, UAE • Singapore • New York, NY • Orlando, FL • Los Angeles, CA • Austin, TX
 ©2023 ETC. All Rights Reserved. All product information and specifications subject to change. Rev C 2023-08
 *Trademark and patent info: etconnect.com/IP • Third-party license agreement info: etconnect.com/licenses

