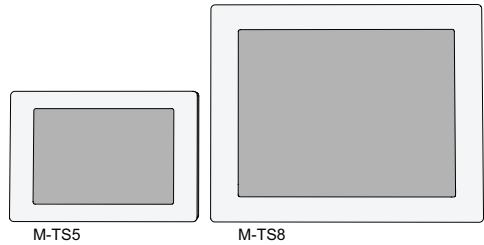


ETC Installation Guide

Mosaic 5" and 8" Touchscreen

Overview

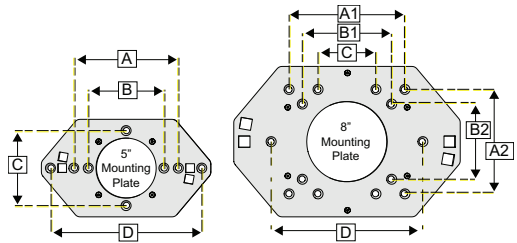
The Mosaic Touchscreen is a wall-mounted touchscreen controller that is available in 5" and 8" models. The touchscreen provides dynamic control of your Mosaic system using faders, buttons, color pickers, and more.



The graphic touchscreen display configuration is designed using Mosaic Designer Software (v2.9 and later) and can be customized to meet your installation needs.

Mounting

Each touchscreen ships with a mounting plate and region-specific hardware for installation to a standard US/EU/UK back box in either portrait or landscape orientation. A surface-mount back box is available separately.

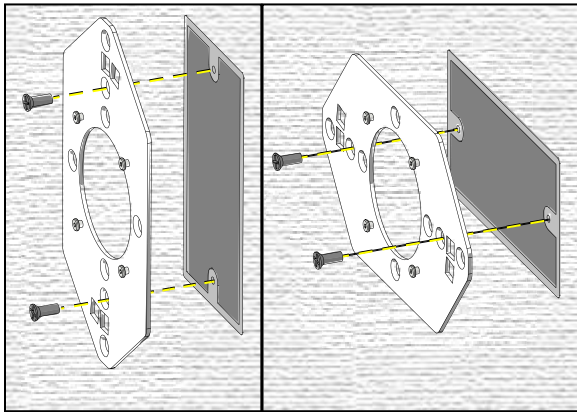


Model	A	B	C	D
5" Mounting Plate	US 1-gang Back Box A - 83 mm (3.3 in)	UK 1-gang Back Box B - 60 mm (2.4 in)	EU 1-gang Back Box C - 60 mm (2.4 in)	UK 2-gang Back Box D - 120 mm (4.75 in)
8" Mounting Plate	US 3-gang Back Box A1 - 92 mm (3.6 in) A2 - 83 mm (3.3 in)	EU 2-gang Back Box B1 - 71 mm (2.8 in) B2 - 60 mm (2.4 in)	US 2-gang Back Box C - 46 mm (1.8 in)	UK 2-gang Back Box D - 120 mm (4.75 in)



ETC Installation Guide

5" and 8" Touchscreen



Vertical mounted back box
(portrait operation)

Horizontal mounted back box
(landscape operation)

US 1-gang back box shown in both portrait and landscape orientation.

Environment

- For dry location use only, ambient temperature 0°C–50°C (32°F–122°F)
- Humidity 10%–95% (non-condensing)

Electrical

The touchscreen is powered by Power-over-Ethernet (PoE 802.3af). A standard PoE switch (provided by others) not exceeding 15 W may be used to provide both power and a network connection to the touchscreen using an Ethernet cable. All Ethernet terminations must follow IEEE 802.3 and be terminated to the T568B standard.

If a PoE switch is not available, a compliant PoE midspan injector may be used alternatively. The touchscreen operates as a PoE Class 0 (zero) device (0.44–12.95 W) and consumes 7 W maximum.



Note: *Power must not be disconnected during bootloader/firmware updates to the unit as corruption of the data or software may occur, perhaps even rendering the unit inoperable.*

ETC Installation Guide

5" and 8" Touchscreen

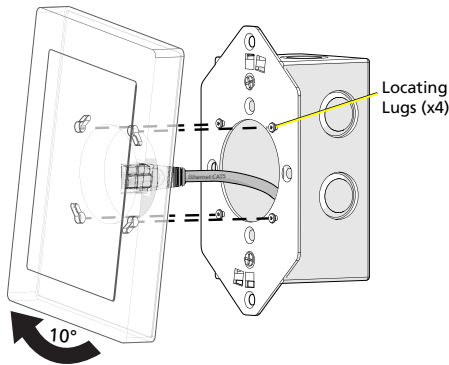
Installation

1. The touchscreen universal mounting plate installs to a flush-mount or surface-mount back box in either the portrait or landscape orientation. The 5" touchscreen requires a standard 1-gang back box and the 8" touchscreen requires a standard 2-gang back box.



Note: All flush-mount installations require a back box with a minimum of a 49 mm hole. Use the appropriate mounting hardware for your installation back box (UNC 6-32 screw for US back box, M3.5 flat head screw for UK back box, or M3 hex head screw for EU back box).

2. Connect the Ethernet cable to the RJ45 port receptacle on the rear panel of the touchscreen.
3. Attach the touchscreen to the mounting plate.
 - a. Angle the touchscreen to the mounting plate at a 10 degree clockwise angle where the keyholes on the touchscreen are aligned to the locating lugs on the universal mounting plate.

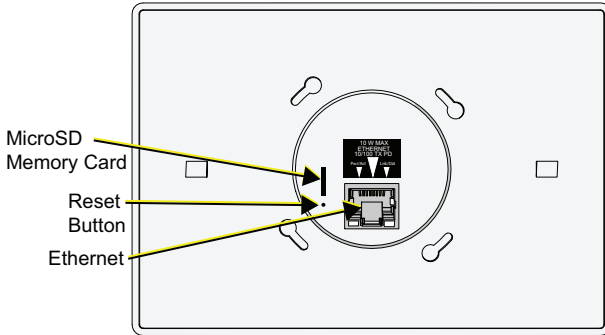


- b. Once all located lugs are seated to the touchscreen, rotate the touchscreen 10 degrees counterclockwise, securing it in place.

ETC Installation Guide

5" and 8" Touchscreen

Service



Remove Touchscreen

1. To remove the touchscreen from the universal mounting plate, gently pull the short sides of the touchscreen toward you and rotate it 10 degrees clockwise.
2. Remove the touchscreen from the locating lugs.
3. Disconnect the Ethernet cable from the RJ45 port.

Memory Card

The touchscreen ships with a 32 GB MicroSD Memory Card installed. In the event of touchscreen hardware failure, you can simply move the memory card into a replacement touchscreen that is running compatible (same or later) firmware to resume operation.

Reset Button

Reset the touchscreen hardware by removing the device from the mounting plate (see [Remove Touchscreen above](#)) and pressing the recessed reset button located on the rear panel.



Note: Do not reset the hardware during a bootloader/firmware update as corruption of the data or software may occur, perhaps even rendering the touchscreen inoperable.

Watchdog

An internal "watchdog" will automatically reset the touchscreen in case of a software crash as a result of either a software defect or a random electromagnetic event, such as a power brownout or power spike, a nearby lightning strike, or static discharge.