



Type(s)

Project

Date

Notes

GENERAL INFORMATION

Mosaic Button Stations interface with any Mosaic control system using a Power-over-Ethernet network. With support for up to 100 stations, button stations can be placed remotely to trigger system timelines and functions. Simple addressing using a rotary switch is provided on the rear of the station, and Mosaic Designer software is used to assign button actions and LED indicator responses. Mosaic Button Stations are available with faceplates for North American and European installations.

APPLICATIONS

- Museums
- Fountains
- Installations that require manual triggering

FEATURES

- Embossed magnetic overlay with a low-profile bezel
- No visible means of attachment
- Color options to compliment any interior design
- Eight programmable buttons
- White LED button indicators with intensity control
- Power-over-Ethernet (PoE) Networking to Mosaic controllers
- US and European faceplates available
- Built in IR receiver with support for 3rd party remote
- Programmed and configured using Mosaic Designer Software

REGULATORY AND COMPLIANCE

- cETLus Listed
 - Conforms to UL-60950-1
 - Certified to CAN/CSA-C22.2 No. 60950-1
- CE Compliant
- California Title 20/24 compliant

ORDERING INFORMATION

Button Stations

MODEL	DESCRIPTION
M108-X-__	1-gang, 8-Button Station

Enter station color code in place of X

- 1 = Cream (RAL 9001)
- 4 = Black (RAL 9004)
- 5 = White (RAL 9003)

Enter station style code in __ space provided:

- US = US Faceplate
- EU = European Faceplate

Compatible Show Controllers

MODEL	DESCRIPTION
MTPC	Tessera Panel Controller
MSC_ ¹	Mosaic Show Controller
MSCX	High Capacity Show Controller
MALC	Mosaic Atlas
MALCP	Mosaic Atlas Pro

¹ Available with one(1), two(2) or four(4) DMX universe output(s)

Related Products

MODEL	DESCRIPTION
M-TS	Mosaic Touchscreen
MRIO-A	Audio/Timecode Remote Device
MRIO-D	DALI Remote Device
MRIO-I/O	Input/ Output Remote Device w/ Serial
MSC-NET	Five-port Ethernet Switch w/ PoE



SPECIFICATIONS

FUNCTIONAL

- Programmable buttons for triggering mosaic timelines or functions on a connected Show Controller
- Independently configured LED backlight per button
- Support for up to 200 button stations in any Mosaic system
- Learning IR receiver supports eight IR inputs from any 3rd party remote control
- Remote firmware upload
- Five year warranty

MECHANICAL

- Eight tactile buttons with LED indicators
- Standard, 1-gang US and European faceplate options
- Available in cream, black, white, or polished bezel with black overlay finishes
- No visible means of attachment
- Integrated IR receiver
- Rotary switch for selecting network address
- Uses standard 1-gang flush mount electrical box, or equivalent. (provided by others)
 - Surface mount back boxes are available from ETC

ELECTRICAL

- RJ45 connection for 10/100Base-TX Ethernet with link and data LED with Static and DHCP addressing support
- PoE powered (IEEE 802.3af, Class 1) 1.5 W typical draw

THERMAL

- Ambient temperature: 0° C to 50° C (32° F to 122° F)
- 10–50% relative humidity, non-condensing

PHYSICAL

Button Station Dimensions*

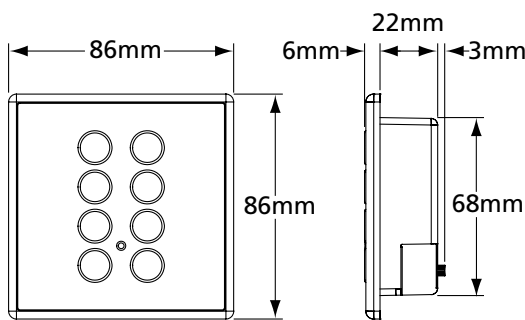
MODEL	HEIGHT		WIDTH		DEPTH	
	in	mm	in	mm	in	mm
M108-6-EU	3.39	86	3.39	86	0.23	6
M108-6-US	4.50	114	2.75	70	0.23	6

Button Station Weights*

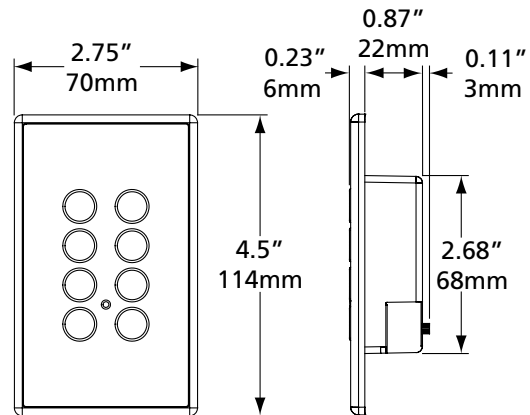
MODEL	WEIGHT		SHIPPING WEIGHT	
	lb	kg	lb	kg
M108	0.3	0.14	1.1	0.50

*Weights and dimensions typical

M108-6-EU



M108-6-US



Corporate Headquarters • Middleton, WI USA
 Global Offices • London, UK • Rome, IT • Holzkirchen, DE • Paris, FR • Hong Kong
 Dubai, UAE • Singapore • New York, NY • Orlando, FL • Los Angeles, CA • Austin, TX
 Copyright©2022 ETC. All Rights Reserved. All product information and specifications subject to change. Rev K 2022-07
 *Trademark and patent info: etcconnect.com/IF