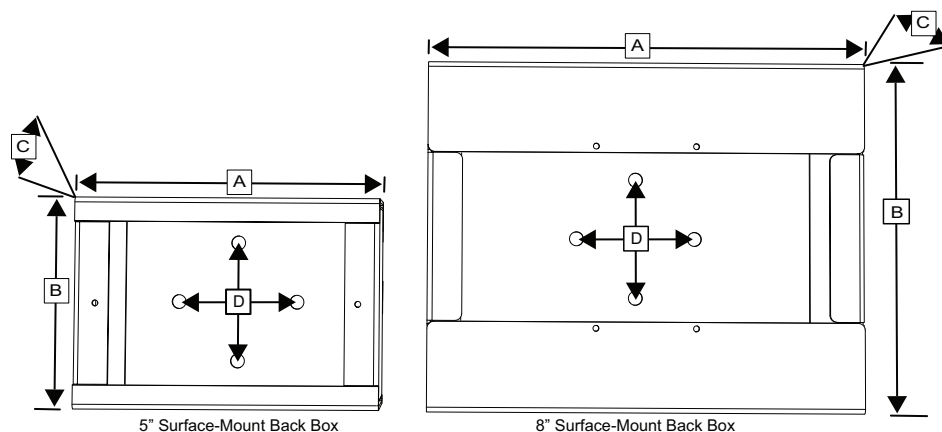


ETC Installation Guide

Unison Touchscreen Surface-Mount Back Box

Overview

The Unison Touchscreen Surface-Mount Back Box is an accessory mounting option for the 5" or 8" wall-mounted touchscreen. The back box and touchscreen can be mounted vertically (for portrait operation) or horizontally (for landscape operation).



Model	A Length	B Height	C Depth	D Distance between Mounting Holes
5" Surface-Mount Back Box	140 mm (5.5 in)	54 mm (2.1 in)	97 mm (3.8 in)	57 mm (2.25 in)
8" Surface-Mount Back Box	200 mm (7.9 in)	54 mm (2.1 in)	160 mm (6.3 in)	57 mm (2.25 in)

1. Install the surface-mount back box to a vertical wall surface and secure it in place using four 6 mm bolts or screws (not provided).
2. Install the compatible Unison touchscreen to the surface-mount back box following the instructions provided in the related *installation guide* located on the ETC website at etcconnect.com.

