

PATHPORT WALL-MOUNT DMX/RDM ETHERNET GATEWAY



Model shown: PWPP WM P2 XLR5M BL

WARRANTY

3-year limited warranty. This is the only warranty provided and no other statements in this specification sheet create any warranty of any kind. All other express and implied warranties are disclaimed. Complete warranty terms located at: <https://www.acuitybrands.com/support/warranty>

NOTE

Actual performance may differ as a result of end-user environment and application. Specifications subject to change without notice.

OVERVIEW

The Pathport® series of DMX/RDM Ethernet Gateways are the heart of DMX distribution.

The Wall-mount 2-Port is the original and most popular Pathport® Gateway. It is suitable for flush-mount or permanent installation, in an attractive Matte Black finish.

Connect DMX512 control devices and send data over an Ethernet network to DMX512-capable end devices such as intelligent lighting fixtures, LEDs, Dimmers, and more. Each port can be configured as an Input or Output as needed.

Advanced features include extensive protocol support, slot-by-slot patching using multiple sources, cross-fading on priority change, and signal loss behavior. Different Ethernet protocols may be merged together and prioritized. The front panel LCD provides instant confirmation of DMX port and network link status.

FEATURES

- Convert DMX512 to Ethernet protocol for distribution
- Convert Ethernet protocol to DMX512 for end devices
- Two configurable DMX ports
- 10Mbps Ethernet port (PoE)
- Backlit LCD displays device name, network link status, and DMX Port information
- DMX output configured as whole universes or custom slot-by-slot patch
- Map up to eight control sources to each output slot, with merge and/or priority options for each source
- Acts as E1.20 RDM controller, when used with free Pathscape configuration software or ANSI E1.33 RDMnet compliant controllers
- User-configurable DMX output speed and signal loss behavior
- Fits standard 2-gang, deep backbox
- Supports the following Ethernet sending and receiving protocols:
 - Pathway ssACN (Secure sACN)
 - E1.31 streaming ACN (sACN)
 - Art-Net
 - Pathport Protocol
 - ShowNet
- Operates on Power-over-Ethernet (PoE) or auxiliary 24-48VDC input
- Also available in DIN-mount (PWPP DIN) form factor, portable/truss-mount (PWPP DT / PWPP TM) or handheld (PWPP HH) form factors

ORDERING INFORMATION

PWPP		EXAMPLE: PWPP WM P2 XLR5F BL				
Series	Form Factor	Port Quantity	Port Type		Finish	
PWPP Pathway Pathport DMX/RDM Gateway	WM Wall-mount	P2 2 DMX Ports	XLR5M XLR 5-Pin Male	XLR5F XLR 5-Pin Female	BL Black	
			XLR5MF 1 XLR 5-Pin Male, 1 XLR 5-Pin Female			

Accessories

PWACC WMP2	Pathway Accessory, Pathport Dual Gang Wall Mount Enclosure (c/w knockouts)
PWACC TMP2	Pathway Accessory, Pathport P2 Portable/Truss Mount Enclosure
PWACC PPREFURB	Pathway Accessory, Pathport 2-port Refurbishment Kit

SPECIFICATIONS

Electrical

Input Ratings PoE Class 1 device
24--48VDC auxiliary power input
4W maximum power consumption

Isolation & Fault Protection 250V fault protection on DMX ports

Regulatory Compliance CE

Mechanical

Dimensions 4.5" W x 4.6" H x 2.75" D (114mm W x 117mm H x 70mm D)

Weight 0.7 lb (0.32 kg)

Environmental

Operating Temperature 14°F to 122°F (-10°C to 50°C)

Relative Humidity 5-95%, non-condensing

Standard Compliance RoHS 2011/65/EU + A1 2015/863

General

Compliance ANSI E1.11 DMX512-A R2013
ANSI E1.20 RDM - Remote Device Management
ANSI E1.31 sACN - Streaming ACN, Art-Net, Strand ShowNet, Pathway ssACN
ANSI E1.33 RDMnet - RDM over IP
IEEE 802.3af Power-over-Ethernet
California Title 1.81.26, Security of Connected Devices

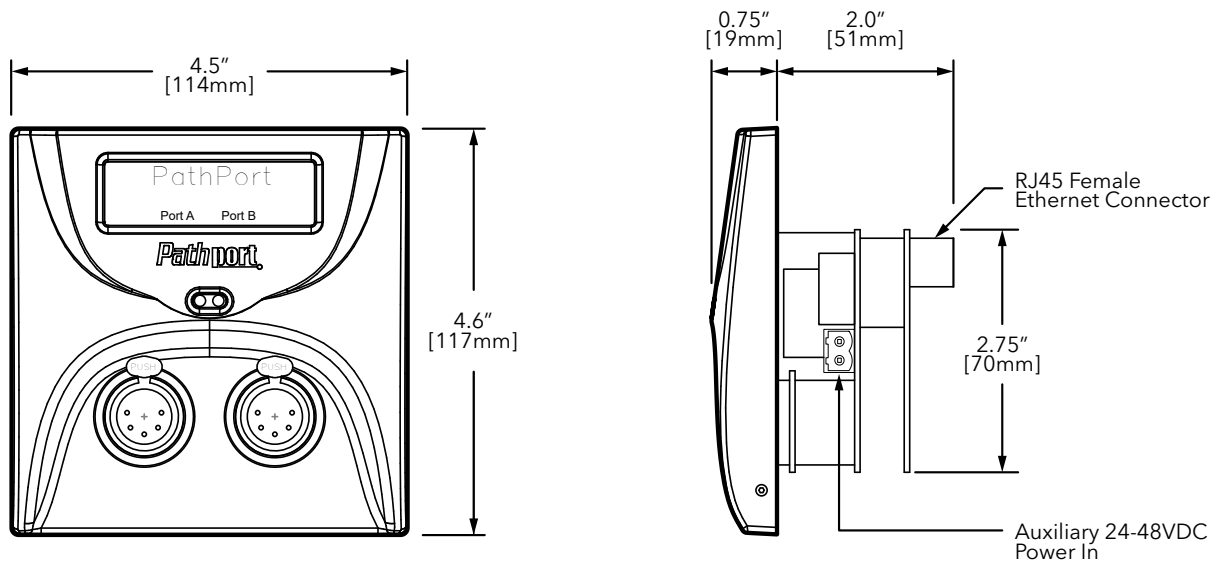
PART NUMBER CROSS-REFERENCE

PREVIOUS		NEW	
Part Number	Catalog Number	Description	
6201BL	PWPP WM P2 XLR5M BL	Pathport, Wall-mount, 2-Ports, XLR 5-Pin Male, Black	
6202BL	PWPP WM P2 XLR5F BL	Pathport, Wall-mount, 2-Ports, XLR 5-Pin Female, Black	
6203BL	PWPP WM P2 XLRMF BL	Pathport, Wall-mount, 2-Ports, XLR 5-Pin Male and XLR 5-Pin Female, Black	

WIRING

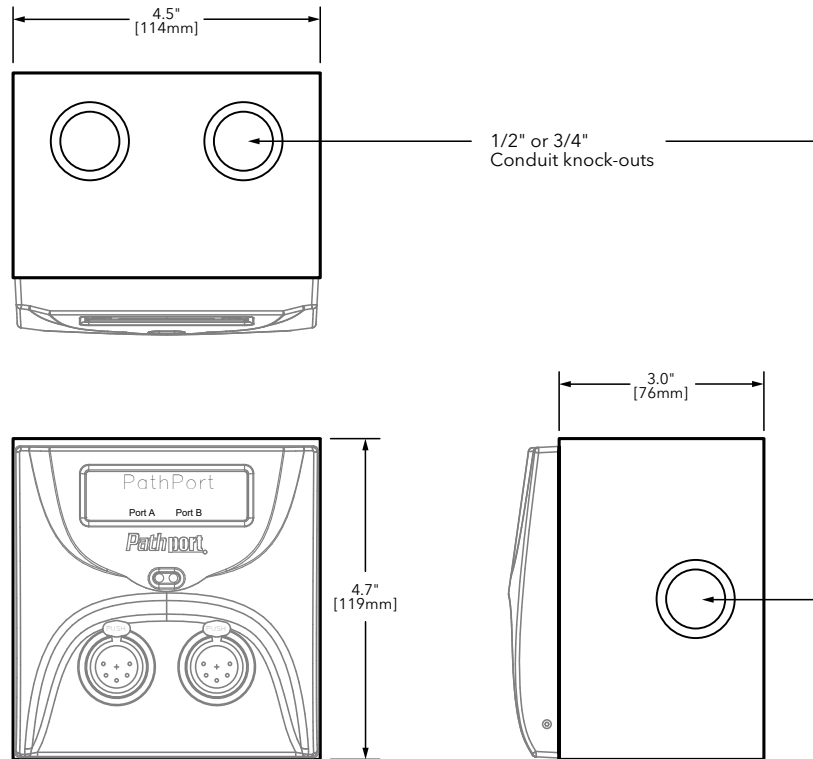
DMX512 / RDM PINOUT		
Purpose	XLR / Terminal Block Pin #	RJ45 PIN # and Wire Color
Shield / Common	1	7 - White / Brown
Data - (complement)	2	2 - Orange
Data + (true)	3	1 - White / Orange
Not Used	4	6 - Green
Not Used	5	3 - White / Green
Not Used - Do Not Connect	N/A	4 - Blue
Not Used - Do Not Connect	N/A	5 - White / Blue
Not Used - Do Not Connect	N/A	8 - Brown

DIMENSIONS

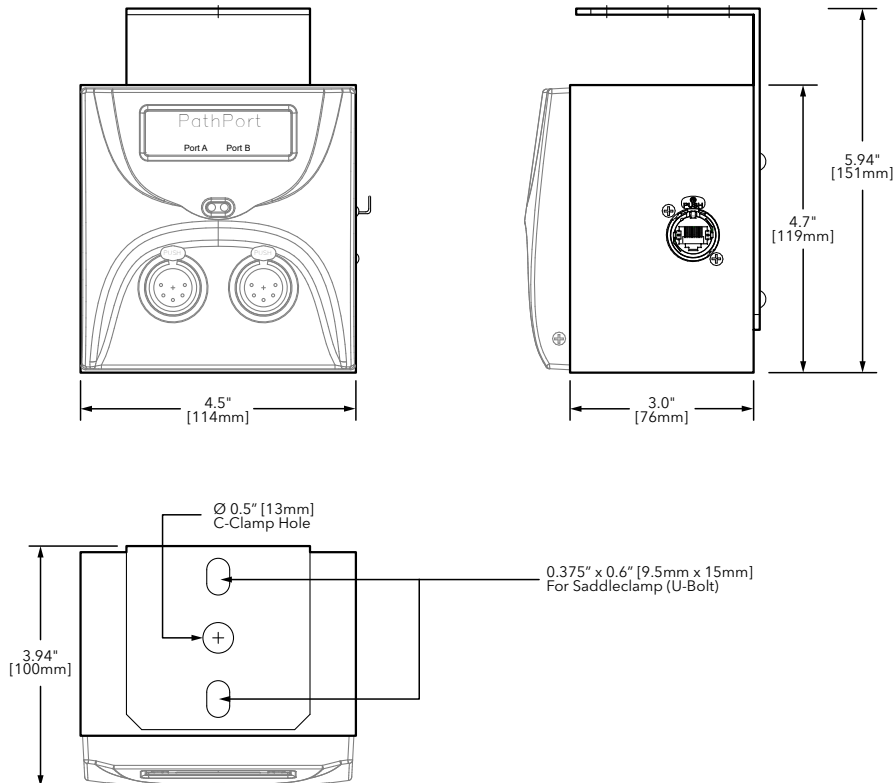


WALL-MOUNT AND PORTABLE/TRUSS-MOUNT ACCESSORIES

PWACC WMP2
Wall-mount Enclosure



PWACC TMP2
Truss-mount Enclosure



APPLICATION RISER

