



Type(s)  
Project  
Date  
Notes

**GENERAL INFORMATION**

ETC’s Unison DRd Series Rack Enclosures are the workhorses behind the scenes, supporting two processor options and a variety of dimming, switching and option modules. DRd Rack Enclosures are trusted for their reliability and versatility.

**APPLICATIONS**

- Houses of worship
- Hotels
- Convention centers
- Theatres
- Schools
- Restaurants

**FEATURES**

- All-On – clearly marked switch allows for all loads to be turned on to full, without the need for a control processor
- HighFault – protection from power spikes and surges with short-circuit current ratings from 22,000 amps
- Regulation – monitoring and adjustment of incoming line voltage with min and max scale voltages
- Bypass – emergency lighting control bypass input with load shedding
- Hold Last Look – dimming engine holds the last output during any loss of control
- QuickBoot – dimming engine boot time of less than four seconds
- HiRes Dimming – support for 16-bit DMX and over 65,000 steps of dimming

**REGULATORY AND COMPLIANCE**

- CE compliant

**ORDERING INFORMATION**

**230 Volt CE DRd Rack Enclosures**

PART NO.	DESCRIPTION
7183A1901	Six-module rack enclosure (12 circuits)
7183A1900	12-module rack enclosure (24 circuits)

**DRd Options and Accessories**

PART NO.	DESCRIPTION
7183A1069	DRd 0–10 V LED/Fluorescent Control Option
7183A1070	DRd DALI Control Option
7183A1004	DRd Floor-Mount Pedestal
7180A1008	Unison RideThru Option
7180A1003	Unison Battery Pack Option

**DRd Control Processor Options**

PART NO.	DESCRIPTION
7180A1029	Paradigm Architectural Control Processor
7186A1201	Echo Architectural Control Processor



**SPECIFICATIONS**

**GENERAL**

- DRd rack enclosures available in two sizes: DRd6N with support for six modules and up to 12 circuits and DRd12N with support for 12 modules and up to 24 circuits
- Full eight-year warranty

**FUNCTIONAL**

- High-density dimming for incandescent, fluorescent, neon, cold cathode, electronic and magnetic low-voltage transformer load types
- 16-bit DMX input
- Designed for reliable, continuous operation

**MECHANICAL**

- Welded 18-gauge formed steel construction
- Surface- or floor-stand mount
- Hinged, lockable full-height door with electrostatic air filter
- Fine-textured, scratch-resistant epoxy paint
- Integral low-voltage fan
- Modular control electronics

**ELECTRICAL**

- 230 Volt, three-phase systems
  - Also available in 100/120, 240, and 277 V UL configurations
- Voltage tolerance  $\pm 10\%$
- Single-Pole, Neutral Disconnect or Residual Current Device (RCD) per dimmer
- Operating frequency: 50–60 Hz
- DRd6/DRd12 Rack Enclosure fault current protection:
  - 22,000 A Short Circuit Current Withstand
- Main lugs accept maximum 250 MCM wire
- Load terminals accept maximum 13.29 mm<sup>2</sup> wire

**THERMAL**

- Ambient room temperature: 0°–40° C
- Ambient humidity: 10–90% non-condensing

**ACCESSORIES AND OPTIONS**

**CONTROL PROCESSORS**

- Echo Architectural Control Processor (E-ACP)
- Paradigm Architectural Control Processor (P-ACP)

**STATION POWER OPTIONS**

- Echo Station Power Module (E-SPM)
  - Provides EchoConnect power for up to 16 stations and 16 power controllers or panels
  - Allows for up to 1,640 ft (500 m) of station bus wiring
- Paradigm Station Power Module (P-SPM)
  - Provides LinkConnect power for up to 32 Unison stations
  - Provides 24 V auxiliary power for interface and touchscreen stations
  - Allows for up to 1,640 ft (500 m) of station bus wiring

**ACCESSORIES AND OPTIONS**

**SUPPORTED DIMMER MODULES**

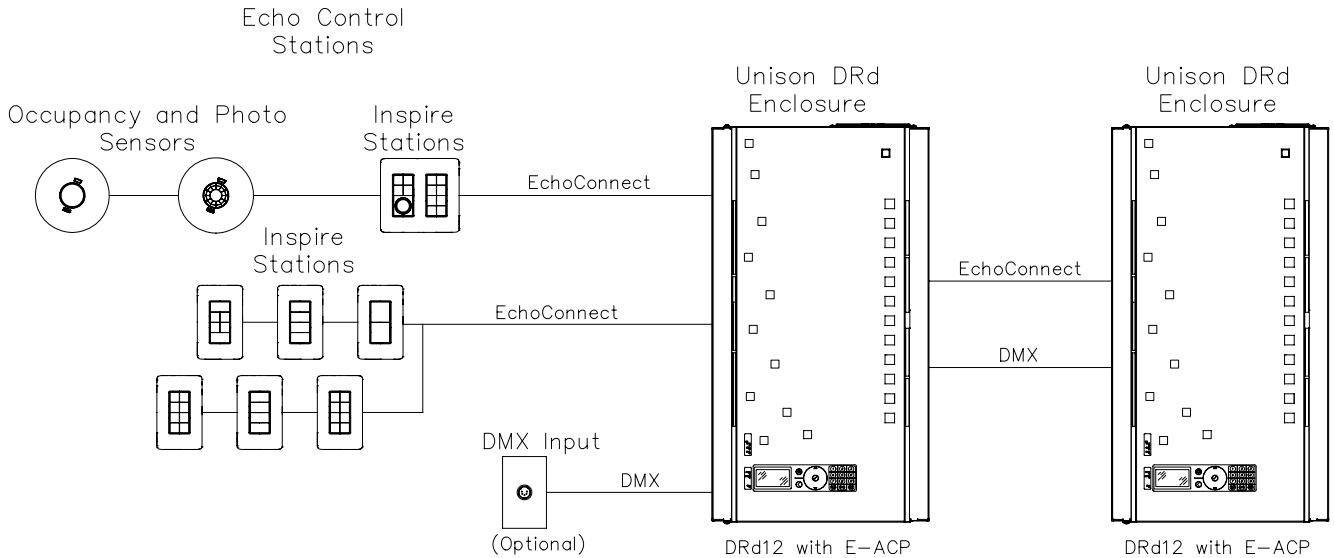
PART NO.	DESCRIPTION
ED6	ED6 Dual 1.3 K Dimmer Module (400 us)
ED6N	ED6N Dual 1.3 K ND Dimmer Module (400 uS)
ED10	ED10 Dual 2.3 K Dimmer Module (400 us)
ED10N	ED10N Dual 2.3 K ND Dimmer Module (400 uS)
ED15	ED15 Dual 3 K Dimmer Module (225 uS)
ED15E	ED15E Dual 3 K Dimmer Module (400 us)
ED15N	ED15N Dual 3 K ND Dimmer Module (225 uS)
ED15NE	ED15NE Dual 3 K ND Dimmer Module (400 uS)
ED15R	ED15R Dual 3 K RCD Dimmer Module (225 uS)
ED15RE	ED15RE Dual 3 K RCD Dimmer Module (400 uS)
ER15	ER15 Dual 3 K Relay Module
ECC15	ECC15 Dual 3 K Constant Module
ED25	ED25 Single 5 K Dimmer Module (225 uS)
ED25E	ED25E Single 5 K Dimmer Module (350 uS)
ED25N	ED25N Single 5 K ND Dimmer Module (225 uS)
ED25NE	ED25NE Single 5 K ND Dimmer Module (350 uS)
ED25R	ED25R Single 5 K RCD Dimmer Module (225 uS)
ED25RE	ED25RE Single 5 K RCD Dimmer Module (350 uS)
ER25	ER25 Single 5 K Relay Module
ECC25	ECC25 Single 5 K Constant Module

**ACCESSORIES**

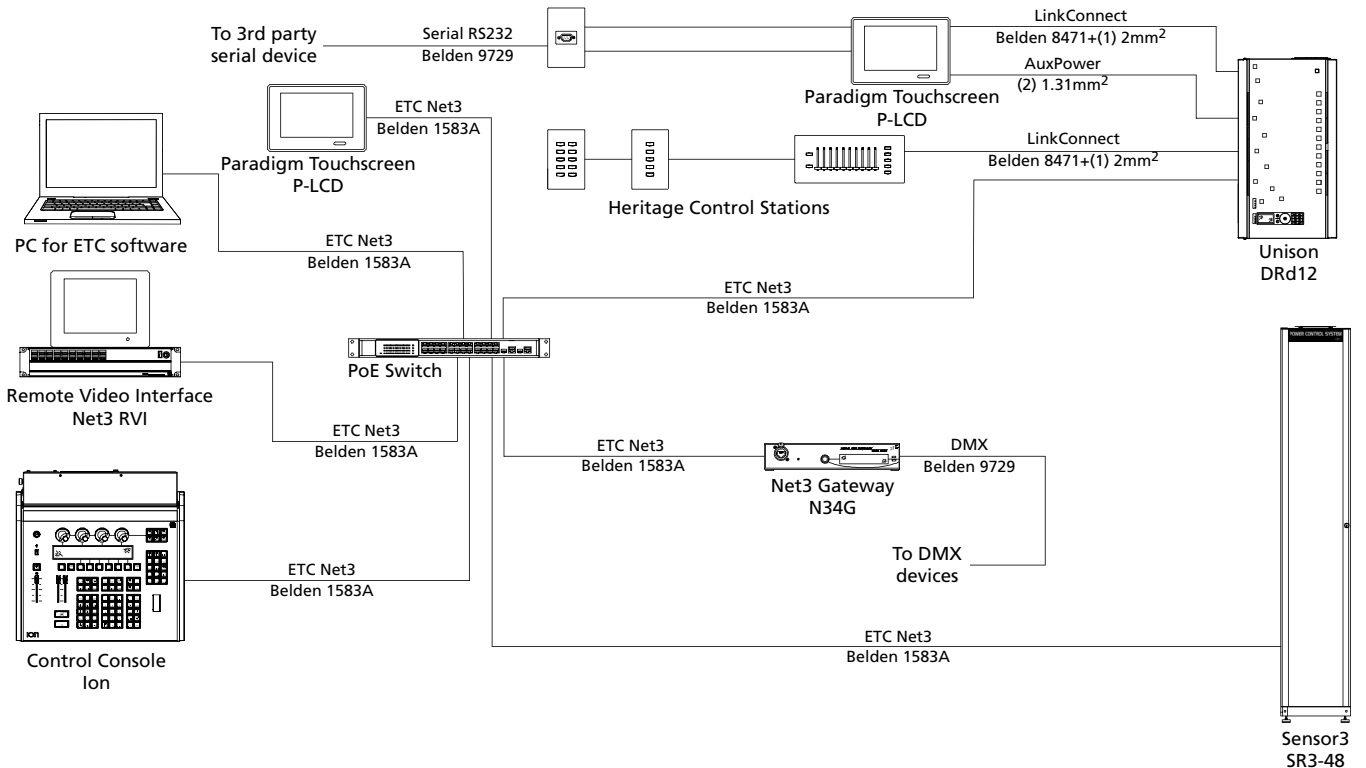
- Unison RideThru Option (URTO)
  - Short-term power backup of control electronics for at least 10 seconds
  - Automatically engages when power is lost
  - Recharges during normal power operation
- Unison Battery Pack Option (UBPO)
  - Long-term power backup of control electronics for at least 90 minutes
  - Automatically engages when power is lost
  - Recharges during normal power operation
- 0–10 V (four-wire) control option (DRd-FLO)\*
  - 0–10 V (sink) driver and ballast control
  - Up to 24 outputs
  - 400 mA per channel
- DALI Ballast option (DRd-DALI)\*
  - Support for 24 loops of DALI control in broadcast mode
  - Up to 64 ballasts per output
  - External DALI power supply required (by others)

\*Either one DRd-DALI or one DRd-FLO option card may be used in each DRd enclosure.

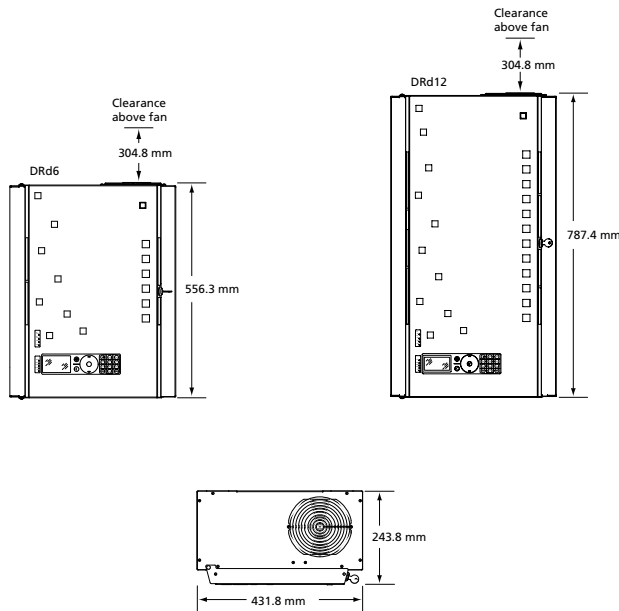
TYPICAL SYSTEM RISER - ECHO CONTROL



TYPICAL SYSTEM RISER - PARADIGM CONTROL



PHYSICAL



DRd Dimensions\*

PART NO.	MODEL	HEIGHT	WIDTH	DEPTH
		mm	mm	mm
7183A1901	DRd6N-12-230CE	557	432	244
7183A1900	DRd12N-24-230CE	787	432	244

DRd Weights\*

PART NO.	MODEL	WEIGHT	SHIPPING WEIGHT
		kg	kg
7183A1901	DRd6N-12-230CE	17.15	19.05
7183A1900	DRd12N-24-230CE	23.13	24.95

\*Weights and dimensions typical

DRd Sound Pressure Level (dBA)\*

PART NO.	MODEL	LOW FAN SPEED	HIGH FAN SPEED
7183A1901	DRd6N-12-230CE	44 dbA	49 dbA
7183A1900	DRd12N-24-230CE	44 dbA	49 dbA

\*dBA values for each DRd enclosure measured at one meter with an ambient noise level of 36.5 dbA.



Corporate Headquarters • Middleton, WI USA  
 Global Offices • London, UK • Rome, IT • Holzkirchen, DE • Paris, FR • Hong Kong  
 Dubai, UAE • Singapore • New York, NY • Orlando, FL • Los Angeles, CA • Austin, TX  
 Copyright©2022 ETC. All Rights Reserved. All product information and specifications subject to change. Rev C 2022-04  
 \*Trademark and patent info: [etconnect.com/IE](http://etconnect.com/IE)