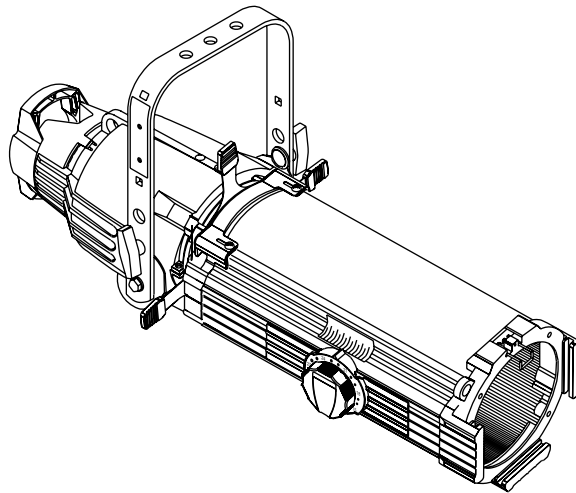




100V 115/120V 230/240V

Ellipsoidal Series



SPECIFICATIONS

PHYSICAL

- Rugged, die-cast and extruded aluminum construction
- Patented one-handed focus mechanism with positive lock
- Rotating shutter assembly $\pm 25^\circ$
- 20-gauge stainless steel shutters in a tri-plane assembly
- Lens-tube door provides easy access for lens cleaning
- Scale markings for field-angle and focus settings
- Thermally insulated rear handle
- High-impact, thermally insulated knobs and shutter handles
- Integral die-cast color-frame holder with two accessory slots, and a top mounted, color-frame retainer
- Steel yoke with two mounting positions
- Positive locking double-clutch yoke
- Slot for glass or stainless steel patterns
- Wide accessory slot with sliding cover for motorized pattern devices or optional iris
- UL and cUL Listed

ELECTRICAL

- 115-240V, 50/60Hz
- High temperature three-conductor 36-inch leads in a glass fiber outer sleeve
- Supports ETC Dimmer Doubling™ technology

LAMP

- 750W maximum
- HPL — compact tungsten filament contained in a krypton/xenon-filled quartz envelope (see table for suitable lamp types)
- Patented filament geometry makes for extremely efficient light collection and transmission
- Integral die-cast aluminium heat-sink lamp base

SPECIFICATIONS

OPTICAL

- Re-optimized optical system for improved photometric performance and field uniformity
- Two bi-convex lenses
- Faceted borosilicate reflector with dichroic cold mirror coating removes greater than 90% infrared radiation (heat) and reflects greater than 95% of visible light
- Reflector secured with anti-vibration shock mounts
- Lenses have anti-reflective coatings
- Lenses secured with anti-vibration shock mounts
- Low gate- and beam-temperature; shutters will not warp or distort
- Tool-free, positive locking X, Y and Z lamp-centering adjustments, unaffected by relamping
- 25°-50° version available

ORDERING INFORMATION

Source Four Zoom

MODEL	DESCRIPTION
41530	15°-30° Source Four Zoom ellipsoidal (black)

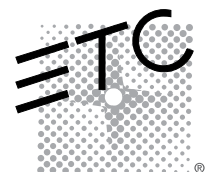
ETC Source Four Zooms are supplied with color frame, C-clamp and 36-inch (90cm) leads as standard

Connector Designation

Use suffixes below to specify factory-fitted connector type.

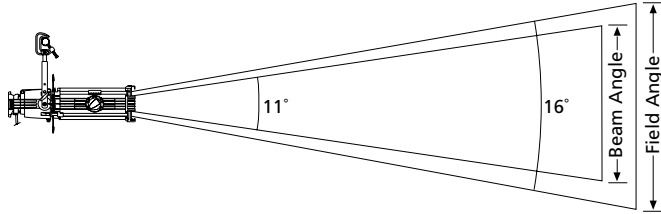
MODEL	DESCRIPTION
A	Parallel-blade U-ground connector
B	Two-pin and ground, 20 amp connector
C	Grounded, 20 amp, twistlock connector
M	Dimmer Doubling connector (NEMA L515P)

See page 5 for Source Four® accessories



PHOTOMETRICS

Photometric data below is measured with an HPL 750W/115V 300-hour lamp. To convert data when using any other HPL lamp, use the lumen or candela multiplying factors (Lm MF or Cd MF) for that specific lamp. These multiplying factors are listed in the Lamps table in this datasheet. For lumen data, multiply by the Lm MF. For candela or footcandle data, multiply by the Cd MF.



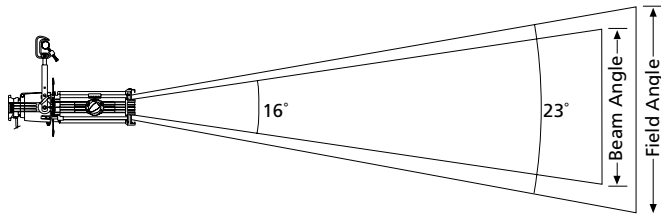
Source Four 15°-30° Zoom set at 15° (cosine)

Degree	Candela	Field Lumens	Beam Lumens	Efficiency	Lumens per watt
15°	395,560	11,460	7,685	52.3%	15.3

Metric conversions: For meters, multiply feet by 0.3048
For lux, multiply footcandles by 10.76

Throw Distance (d)	30'	50'	70'	90'
	9.1m	15.2m	21.3m	27.4m
Field Diameter	8.4'	14.1'	19.7'	25.3'
	2.6m	4.3m	6.0m	7.7m
Illuminance (fc)	440	158	81	49
Illuminance (lux)	4,731	1,703	869	526

For field diameter at any distance, multiply distance by 0.28
For beam diameter at any distance, multiply distance by 0.19



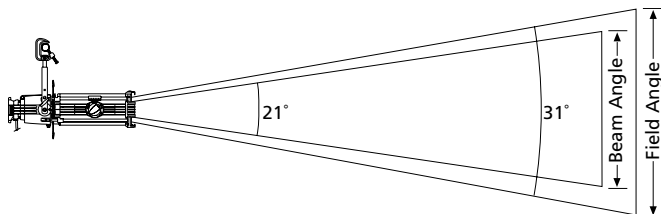
Source Four 15°-30° Zoom set at 23° (cosine)

Degree	Candela	Field Lumens	Beam Lumens	Efficiency	Lumens per watt
23°	181,685	12,315	7,855	56.2%	16.4

Metric conversions: For meters, multiply feet by 0.3048
For lux, multiply footcandles by 10.76

Throw Distance (d)	20'	30'	45'	60'
	6.1m	9.1m	13.7m	18.3m
Field Diameter	8.2'	12.3'	18.4'	24.5'
	2.5m	3.7m	5.6m	7.5m
Illuminance (fc)	454	202	90	50
Illuminance (lux)	4,887	2,173	966	543

For field diameter at any distance, multiply distance by 0.41
For beam diameter at any distance, multiply distance by 0.29



Source Four 15°-30° Zoom set at 30° (cosine)

Degree	Candela	Field Lumens	Beam Lumens	Efficiency	Lumens per watt
30°	105,690	11,960	7,075	54.6%	15.9

Metric conversions: For meters, multiply feet by 0.3048
For lux, multiply footcandles by 10.76

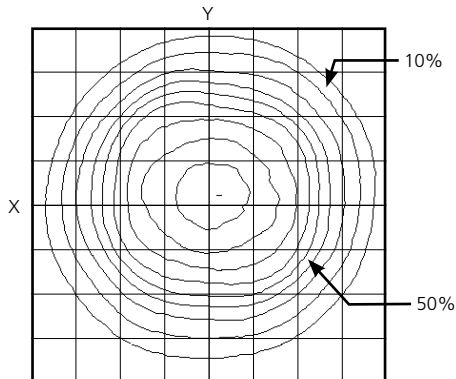
Throw Distance (d)	15'	25'	35'	45'
	4.6m	7.6m	10.7m	13.7m
Field Diameter	8.4'	14.0'	19.6'	25.2'
	2.6m	4.3m	6.0m	7.7m
Illuminance (fc)	470	169	86	52
Illuminance (lux)	5,056	1,820	929	562

For field, diameter at any distance, multiply distance by 0.56
For beam, diameter at any distance, multiply distance by 0.37

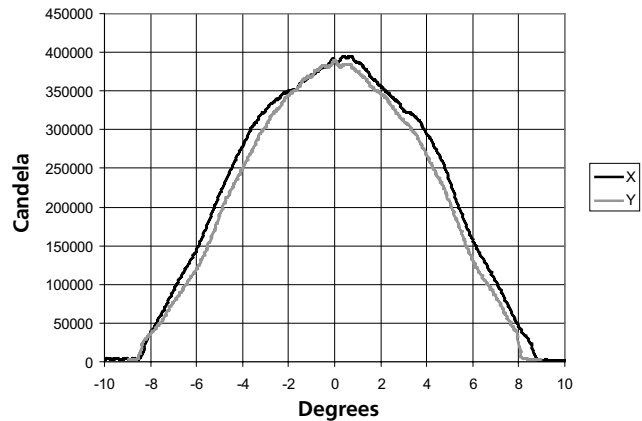
PHOTOMETRICS

Source Four 15°-30° Zoom set at 15° (cosine)

Iso-Illuminance Diagram
(Flat Surface Distribution)

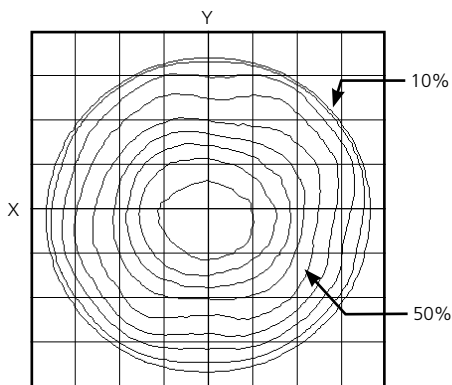


Cosine Candela Plot

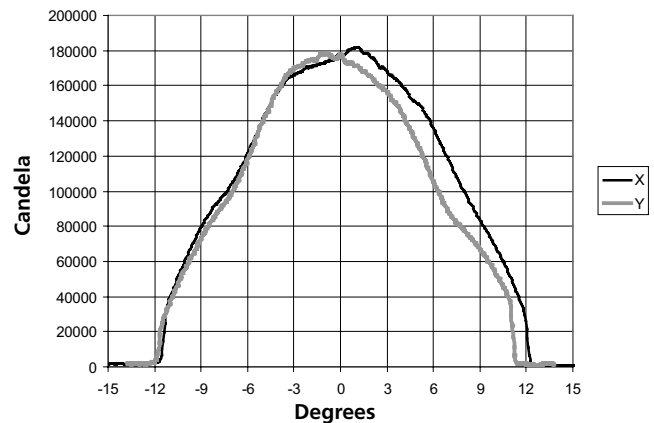


Source Four 15°-30° Zoom set at 23° (cosine)

Iso-Illuminance Diagram
(Flat Surface Distribution)

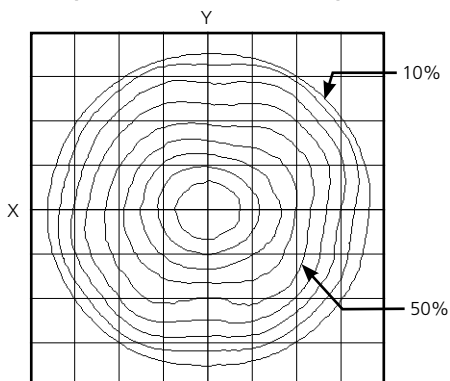


Cosine Candela Plot

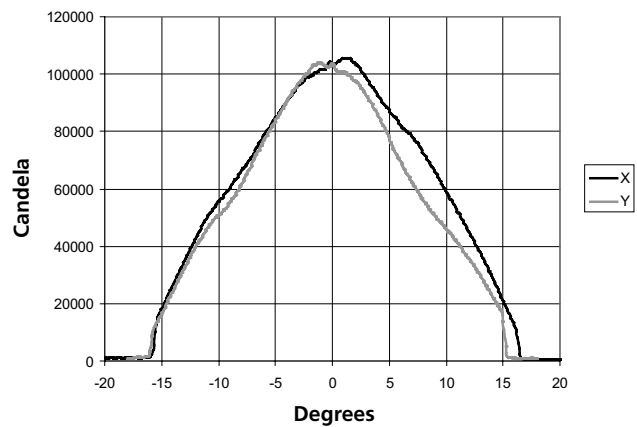


Source Four 15°-30° Zoom set at 30° (cosine)

Iso-Illuminance Diagram
(Flat Surface Distribution)



Cosine Candela Plot



Complete IES photometry data files (LM-63-02 format) may be downloaded from the ETC website.

Go to <http://www.etconnect.com/downloads.asp>

L A M P S

To determine candela (Cd) or lumens (Lm) for any other HPL lamp, multiply the candela or lumen value by the appropriate multiplying factor (CdMF or LmMF) shown for that lamp in the table below.

ETC Part #	Lamp Code	Watts	Volts	Initial Lumens	Color Temp. (K)	Average Rated Life	15° Cd MF	15° Lm MF	23° Cd MF	23° Lm MF	30° Cd MF	30° Lm MF
RT116	HPL 750/115**	750	115	21,900	3,250	300	1.00	1.00	1.00	1.00	1.00	1.00
RT196	HPL 750/115X	750	115	16,400	3,050	1,500	0.64	0.74	0.64	0.74	0.64	0.74
RT113	HPL 575/115**	575	115	16,520	3,250	300	0.85	0.78	0.78	0.81	0.79	0.77
RT114	HPL 575/115X	575	115	12,360	3,050	2,000	0.56	0.56	0.56	0.56	0.56	0.56
RT142	HPL 375/115	375	115	10,540	3,250	300	0.71	0.50	0.66	0.52	0.66	0.49
RT143	HPL 375/115X	375	115	8,500	3,050	1,000	0.49	0.38	0.45	0.39	0.46	0.37
N/A	HPL 750/120	750	120	21,900	3,250	300	1.00	1.00	1.00	1.00	1.00	1.00
N/A	HPL 750/120X	750	120	16,400	3,050	1,500	0.64	0.74	0.64	0.74	0.64	0.74
RT115	HPL 575/120	575	120	16,520	3,250	300	0.85	0.78	0.78	0.81	0.79	0.77
RT171	HPL 575/120X	575	120	12,360	3,050	2,000	0.56	0.56	0.56	0.56	0.56	0.56
RT112	HPL 550/77*	550	77	16,170	3,250	300	0.87	0.76	0.80	0.80	0.81	0.76
RT117	HPL 550/77X*	550	77	12,160	3,050	2,000	0.59	0.56	0.59	0.56	0.59	0.56
RT160	HPL 750/230**	750	230	19,750	3,200	300	0.86	0.78	0.73	0.80	0.76	0.80
N/A	HPL 750/230X	750	230	15,600	3,050	1,500	0.54	0.62	0.45	0.63	0.47	0.63
RT129	HPL 575/230**	575	230	14,900	3,200	400	0.67	0.63	0.64	0.63	0.65	0.62
RT138	HPL 575/230X	575	230	11,780	3,050	1,500	0.52	0.47	0.44	0.48	0.46	0.48
RT154	HPL 375/230X	375	230	7,800	3,050	1,000	0.37	0.33	0.35	0.33	0.36	0.32
N/A	HPL 750/240	750	240	19,750	3,200	300	0.86	0.78	0.73	0.80	0.76	0.80
N/A	HPL 750/240X	750	240	15,600	3,050	1,500	0.54	0.62	0.45	0.63	0.47	0.63
RT130	HPL 575/240	575	240	14,900	3,200	400	0.63	0.63	0.61	0.63	0.62	0.62
RT139	HPL 575/240X	575	240	11,780	3,050	1,500	0.48	0.47	0.41	0.48	0.43	0.48
RT155	HPL 375/240X	375	240	7,800	3,050	1,000	0.37	0.33	0.35	0.33	0.36	0.32

Source Four Zoom is rated for 750W maximum.

*77V HPL lamps are for use with ETC Dimmer Doubling technology only.

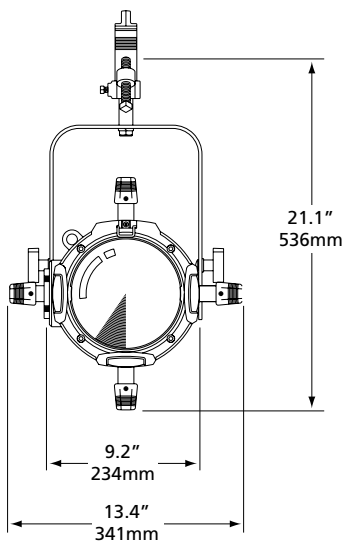
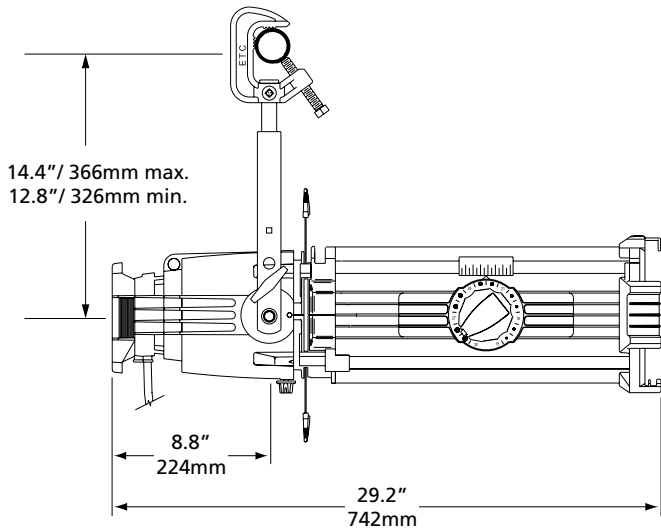
**Photometric data was prepared using a production fixture and the Prometric CCD measurement system. Fixture adjusted for cosine distribution and tested with calibrated lamp at rated voltage. All data normalized to nominal lamp lumens in accordance with IES LM-73-04. Testing performed at ETC West, Hollywood, CA. All other multiplying factors extrapolated from primary test data.

For links to photometry file downloads (IES LM-63-02 format) go to www.etconnect.com.

HPL specified tolerances: Watts +/- 5%, lumens +/-7%, average life +/-10%, color temperature +/- 50K

"N/A" lamps are not available for purchase from ETC. Contact your dealer for purchase.

PHYSICAL



Source Four Zoom 15°-30° Weights*

MODEL	WEIGHT		SHIPPING WEIGHT	
	lbs	kgs	lbs	kgs
41530	21	9.5	29	13.2

*Includes 2.3lbs for C-clamp

ORDERING INFORMATION

Continued from front page...

Source Four Zoom Accessories

MODEL	DESCRIPTION
407CF	Color Frame (included)
400CC	C-clamp (included)
400SC	Safety Cable
400PH-A	Pattern holder (A size)
400PH-B	Pattern holder (B size)
400PH-G	Glass pattern holder
400BY	Balanced yoke assembly kit
400RS	Drop-in Iris
400PTH3	Top Hat (3" tube)
400PTH6	Top Hat (6" tube)
400PHH	Half Hat
400PGE3	Gel Extender (3" tube)
400PGE6	Gel Extender (6" tube)

Note: Available in black only

Source Four products are protected by one or more of the following patents:

U.S.	USRE36,3316, US5,345,371, US6,092,914 and US5,775,799
U.K.	GB0592589, GB0673488, 99930527.9*
Germany	DE0592589, GB0673488, 99930527.9*
Japan	JP2,501,772

* European patent application number



Corporate Headquarters • 3031 Pleasant View Rd, PO Box 620979, Middleton WI 53562 0979 USA • Tel +1 608 831 4116 • Fax +1 608 836 1736

London, UK • Unit 26-28, Victoria Industrial Estate, Victoria Road, London W3 6UU, UK • Tel +44 (0) 20 8896 1000 • Fax +44 (0) 20 8896 2000

Rome, IT • Via Pieve Torina, 48, 00156 Rome, Italy • Tel +39 (06) 32 111 683 • Fax +44 (0) 20 8752 8486

Holzkirchen, DE • Ohmstrasse 3, 83607 Holzkirchen, Germany • Tel +49 (80 24) 47 00-0 • Fax +49 (80 24) 47 00-3 00

Hong Kong • Room 1801, 18/F, Tower 1 Phase 1, Enterprise Square, 9 Sheung Yuet Road, Kowloon Bay, Kowloon, Hong Kong • Tel +852 2799 1220 • Fax +852 2799 9325

Web • www.etconnect.com • Copyright©2014 ETC. All Rights Reserved. All product information and specifications subject to change. 7060L1030 Rev. G Printed in USA 05/14