



Source Four PARNel CE Assembly Guide

Production Dates: September 2004–Present

Part Number: 7061M2560-06.01 Rev: B
Released: 2023-09

To view a list of ETC trademarks and patents, go to etconnect.com/ip. All other trademarks, both marked and not marked, are the property of their respective owners.

For a complete list of all third-party licenses that are fully incorporated herein to the extent required by each third-party license terms and conditions, please visit etconnect.com/licenses.

ETC intends this document, whether printed or electronic, to be provided in its entirety.

Table of Contents

Introduction	1
Document Conventions.	1
Help from ETC Technical Services.	2
Basic Assembly	3
Lamp Socket Assembly	4
Assemble Lamp Socket	5
Housing Assembly	6
Assemble Housing	7
Position the Stippled/Wave Lens	8
Clean the Reflector	8
Clean the Lens	8

Introduction

Welcome to the *Source Four PARNeI CE Assembly Guide*.

Please note that the part numbers listed in this guide may differ from the parts required for your particular Source Four PARNeI fixture. Part numbers for fixtures change occasionally as parts are replaced or upgraded.

To ensure that you are ordering the proper part for your specific fixture, please contact your ETC dealer, or ETC Customer Service for assistance.

Document Conventions

This document uses the following conventions to draw your attention to important information.



Note: *Notes are helpful hints and information that is supplemental to the main text.*



CAUTION: *A Caution statement indicates situations where there may be undefined or unwanted consequences of an action, potential for data loss or an equipment problem.*



WARNING: A Warning statement indicates situations where damage may occur, people may be harmed, or there are serious or dangerous consequences of an action.



WARNING: RISK OF ELECTRIC SHOCK! This warning statement indicates situations where there is a risk of electric shock.

All ETC documents are available for free download from our website: etconnect.com.

Please email comments about this manual to: TechComm@etconnect.com.

Help from ETC Technical Services

If you are having difficulties, and your problem is not addressed by this document, try the ETC support website at support.etconnect.com or the main ETC website at etconnect.com. If none of these resources are sufficient, contact ETC Technical Services directly at one of the offices identified below. Emergency service is available from all ETC offices outside of normal business hours.

When calling for help, take these steps first:

- Prepare a detailed description of the problem
- Go near the equipment for troubleshooting
- Find your notification number if you have called in previously

ETC, Inc.

Americas

Technical Services Department
3031 Pleasant View Road
Middleton, WI 53562
800-775-4382 (USA, toll-free)
+1-608 831-4116
service@etconnect.com

ETC Austin

High End Systems Products

Technical Services Department
2105 Gracy Farms Lane
Austin, TX 78758 USA
800-890-8989 (USA, toll-free)
+1-512 836-2242
hesservice@etconnect.com

ETC Ltd

Europe, Middle East, and Africa

Technical Services Department
26-28 Victoria Industrial Estate
Victoria Road,
London W3 6UU England
+44 (0)20 8896 1000
techservltd@etconnect.com

ETC GmbH

Germany, Austria, Switzerland, Eastern Europe, and Russia

Technical Services Department
Ohmstrasse 3
83607 Holzkirchen, Germany
+49 (80 24) 47 00-0
techserv-germany@etconnect.com

ETC France

France

Zone Urbaparc -
Bâtiment E
6 Boulevard de la Libération
Saint-Denis, 93200
+33 1 4243 3535
techservfrance@etconnect.com

ETC Asia

Asia

Technical Services Department
Room 1801, 18/F
Tower 1, Phase 1 Enterprise Square
9 Sheung Yuet Road
Kowloon Bay, Kowloon, Hong Kong
+852 2799 1220
techserv-asia@etconnect.com

Basic Assembly

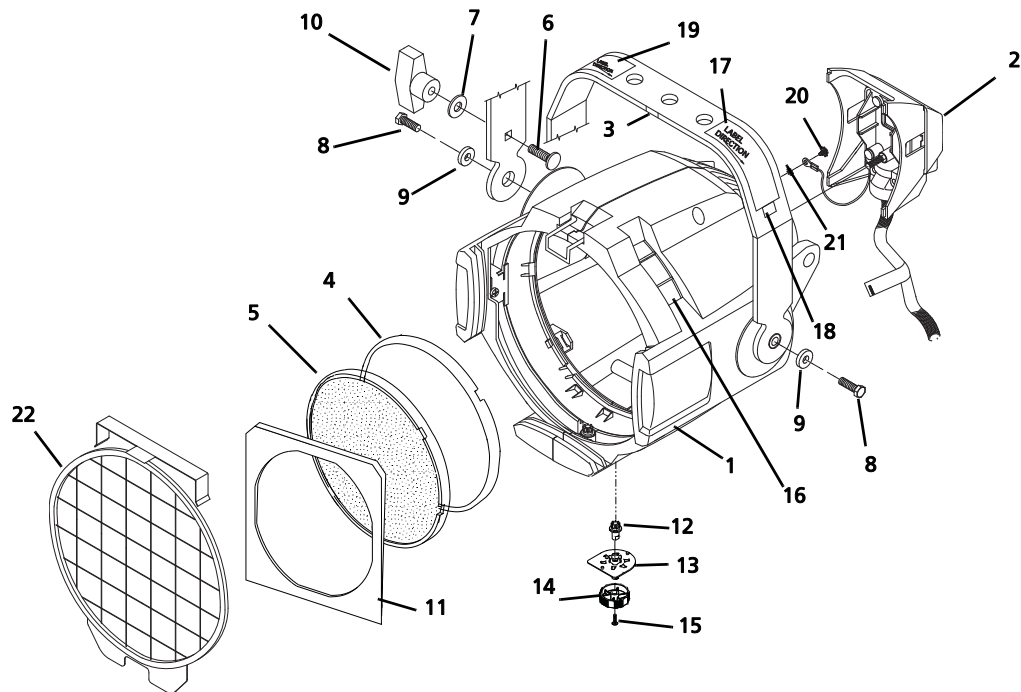


Figure 1

Reference	Part Number	Description	Quantity
1	7061A2020	Zoom base assembly, black	1
	7061A2020-1	Zoom base assembly, white	1
2	7061A2201	Lamp socket assembly, black (see Figure 2)	1
	7061A2201-1	Lamp socket assembly, white (see Figure 2)	1
3	7061A3006	Yoke bracket, black	1
	7061A3006-1	Yoke bracket, white	1
4	7061A4010-2	Zoom lens, clear/wave	1
5	7061A4010-1	Zoom lens, stippled/wave	1
6	HW5125	Bolt, carriage, 5/16-18 x.75, BO	1
7	HW5126	Washer, flat, .375 x.875 x.078, B/Z	1
8	HW5172	Bolt, Hex, 1/4-20 x 1, grade 5, B/Z	2
9	HW522	Washer, flat, 1/4, BZ	2
10	HW8144	Handle, yoke knob, black	1
	HW8144-4	Handle, yoke knob, white	1
11	7061A3007	PAR gel frame, 18.41 cm	1
12	7061A4014	Gear, focus knob	1
13	7061A4013	Bushing, focus knob	1
14	7061A4015	Focus knob	1
15	HW2154	Screw, PPH, 6-19 x 1.2L, 48-2, Plastic	1
16	7061A4012	Lens Rotator, black	1
	7061A4012-1	Lens Rotator, white	1
17	7061A4042	Label, S4 PARNel, CE, black	1
	7061A4043	Label, S4 PARNel, CE, white	1
18	I211	Label, date code	1
19	7060A4042	Label, CE Warning, black	1
	7060A4043	Label, CE Warning, white	1
20	HW3117	Screw, 8-32 x 3/8, PhPH Taptite, SEMS	1
21	HW349	Washer, external tooth, #8	1
22	7061A1030	Safety screen	1

Lamp Socket Assembly

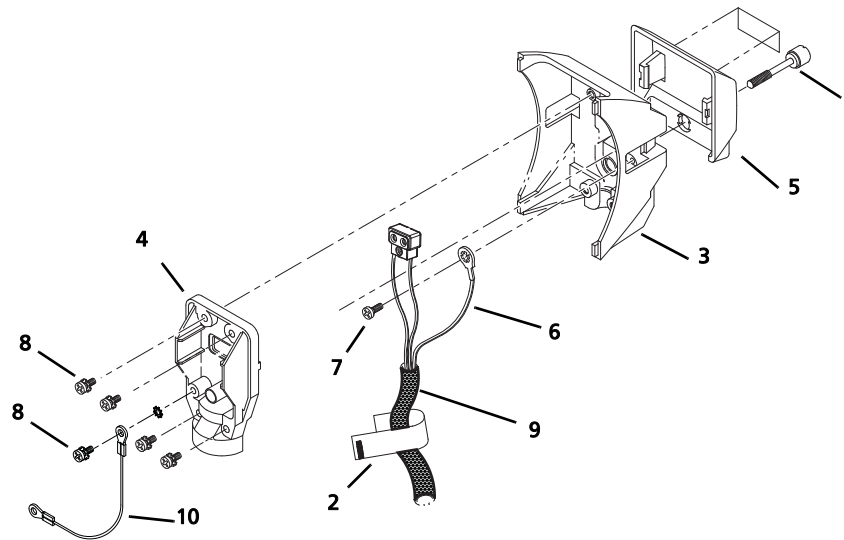


Figure 2

Reference	Part Number	Description	Quantity
1	7060A3025	Screw, 1/4-20 x 1.55, knurled	1
2	7061A4049	Label, CE colour code	1
3	7061A3023	Burner, casting, black	1
4	7061A3024	Strain relief, black	1
5	7061A4011	Focus handle, black	1
6	7061B7002	Ground Wire, 48"	1
7	HW2182	Screw, 6-32 x 1/4, PhPH, Taptite	1
8	HW3105	Screw, 8-32 x 3/8, PhPh, Taptite, SEMS	5
9	7061B7001	PAR CE cable assembly	1
10	7060B7017	Safety wire assembly	1

Assemble Lamp Socket

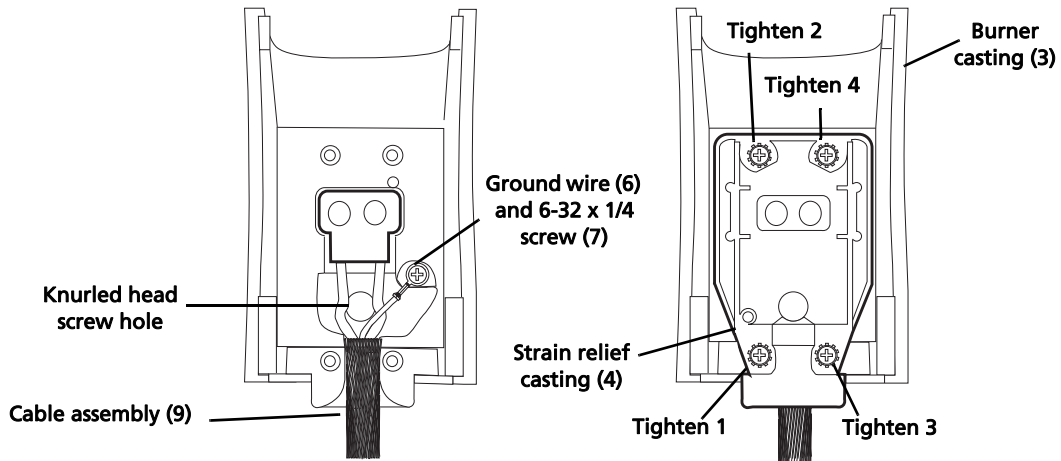


Figure 3

Tools Required: #2 Phillips screwdriver

1. Snap the focus handle (5) onto the burner (3). See [Figure 2](#).
2. Secure the ground wire lug (6) onto the burner casting (3) using screw (7).
3. Place the cable assembly (9) into the burner casting (3). See [Figure 3](#).



Note: *Position the wires with the green and yellow ground wire on top of the two socket leads. Make sure the green and yellow ground wire is not touching any part of the burner casting.*

4. Insert the screws (8) into the four positions in the strain relief casting (4). See [Figure 3](#).
5. Position the cable assembly (9) as shown in [Figure 3](#).
6. Place the strain relief (4) on the burner casting (3). Loosely attach the screws (8). The cable assembly (9) must be centered in the strain relief opening (4). See [Figure 3](#).
7. To guard against stripping the screws, tighten them in the order shown in [Figure 3](#).
8. Make sure the focus handle is secure, then insert the knurled head screw (1) through the handle (5) into the burner casting (3). Tighten securely.
9. Attach safety wire (10) to strain relief using the screw (8) as shown in [Figure 2](#).

Housing Assembly

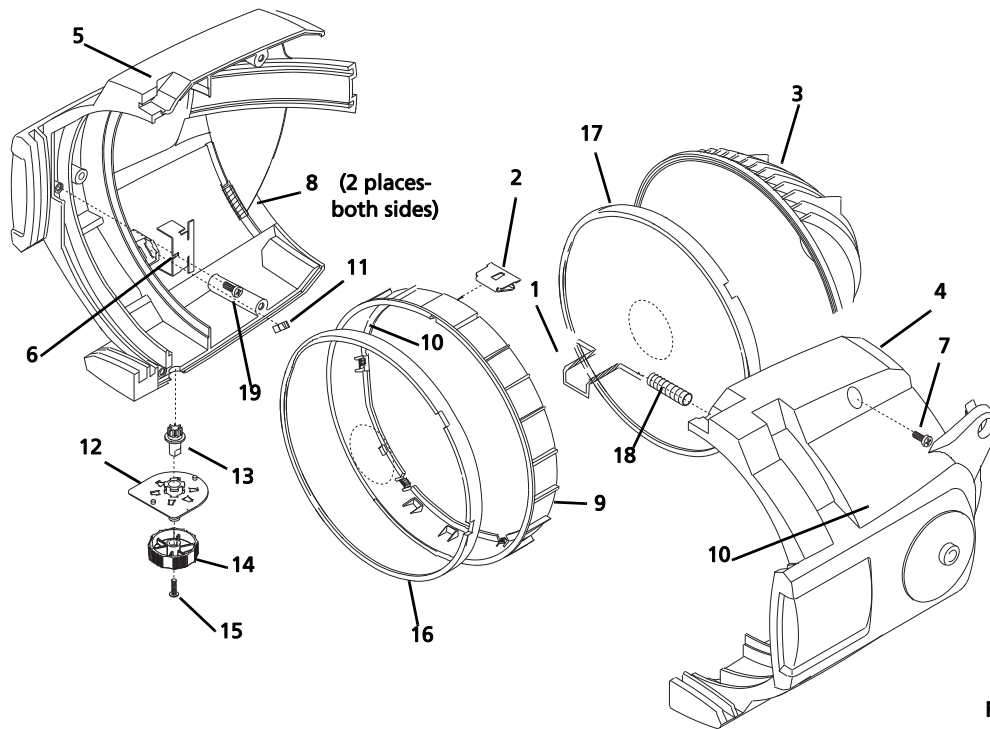


Figure 4

Reference	Part Number	Description	Quantity
1	7060A3100	Clip, gel retainer	1
2	7061A3013	Spring clip, rotator	1
3	7061A3014	Reflector, molded glass, coated, black	1
	7061A3014-1	Reflector, molded glass, coated, white	1
4	7061A3025	Barrel, right, black	1
	7061A3025-1	Barrel, right, white	1
5	7061A2019	Barrel, left, black	1
	7061A2019-1	Barrel, left, white	1
6	7061A3029	Clip, rotator, pressure	1
7	HW492	Screw, 10-32 x 5/8, PhPH, Taptite	3
8	7061A4001	Pad, silicon, reflector mount	4
9	7061A4012	Lens rotator, black	1
	7061A4012-1	Lens rotator, white	1
10	7061A4044	Label, ETC S4 PARNel, black	1
	7061A4045	Label, ETC S4 PARNel, white	1
11	7061A4020	Lens pad	4
12	7061A4013	Bushing, focus knob	1
13	7061A4014	Gear, focus knob	1
14	7061A4015	Focus knob	1
15	HW2154	Screw, PPH, 6-19 x 1.2L, 48-2 Plastite	1
16	7061A4010-2	Zoom lens, stippled/wave	1
17	7061A4010-1	Zoom lens, clear/wave	1
18	HW750	Spring, retainer	1
19	HW4145	Screw, 10-32 x 3/8, PhPH, Taptite, BO	1

Assemble Housing

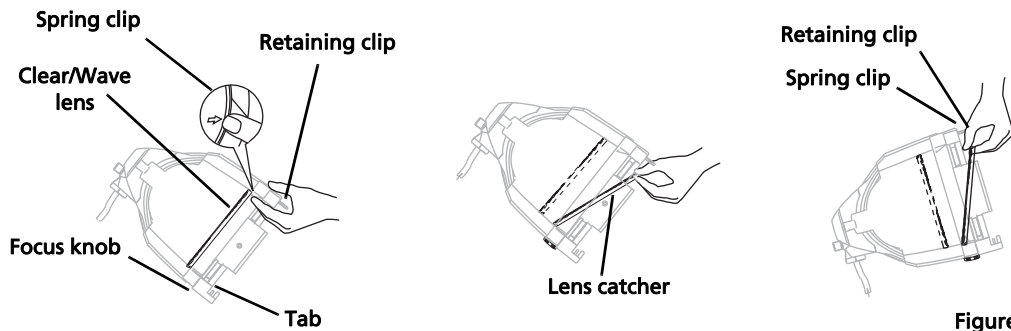
Tools Required:

- Minimally padded work surface (cardboard, carpet, or rubber mat recommended)
- Phillips screwdriver



WARNING: This procedure may crack or break the reflector. Always wear gloves, safety glasses, and a dust mask when performing this procedure.

1. Install the reflector mount silicon pads (8) in the left barrel assembly (5). Install the pads in two places on both sides. See [Figure 4](#).
2. With the wave side of the lens facing toward the front of the luminaire, install the clear/wave lens (17) into the rear lens track.
3. Assemble the focus knob assembly (12, 13, 14). Rotate the focus knob to the full spot position. The arrow on the focus knob will point approximately to the 11 O'clock position.
4. Place the focus knob assembly into the left barrel (5).
5. Install the lens stop (10) and the rotator spring clip (6) into the lens rotator (9).
6. Install the lens rotator (9) into the left barrel (5).
7. Install the rotator pressure clip (6) into the left barrel with screw (19).
8. Install the gel retainer clip (1) and the spring retainer (18) into the right barrel (4).
9. Attach the right barrel to the left barrel using screws (7) in three places. Hand tighten only (2.8 newton meters).
10. Check that the gel clip retainer (1) moves easily into position.
11. Check for smooth rotation of the lens rotator (9).
12. Position the luminaire with the front of the unit facing you, and tilted slightly down. With the wave side facing inward, install the stippled/wave lens (16) into the lens rotator (9).



13. Rotate the focus knob to the full spot position.
14. Hold the lens by the edge and position it so the wave side faces the rear of the luminaire. See [Figure 5](#).
15. From the top of the luminaire, slide the lens behind the lens catchers and position its base behind the tabs on the bottom 4th lens rotator ring.
16. Gently push the top of the lens inward until it snaps behind the spring clip.

Position the Stippled/Wave Lens

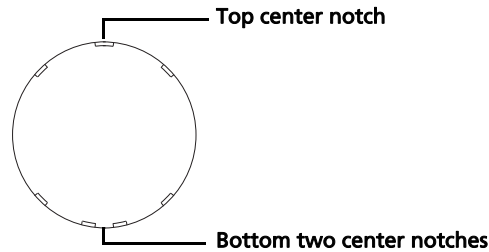


Figure 6

1. There are seven notches cut into the stippled side of the lens. Position the lens so the cluster of three notches is on top. The center notch of the cluster aligns with the spring clip on the lens retainer ring. See [Figure 6](#).
2. The bottom of the lens has a cluster of four notches. Place the two center notches behind the tabs at the bottom of the lens rotator ring.

Clean the Reflector



WARNING: Do not use ammonia-based or other harsh commercial cleaners. Clean reflector only as directed.

Commercially available glass cleaning agents should be avoided as they may contain ammonia, other harsh chemical detergents or abrasive agents. These cleaners may damage the glass surface and the Anti-Reflective coatings. Do not immerse or soak the glass in any cleaning solution.

1. Remove the lens to expose the reflector so you can access it from the front of the luminaire.
2. Remove dust with a blast of oil-free air or wipe with a clean, lint-free cloth. Isopropyl alcohol, distilled water or a 50%-50% mixture of each can be used to clean the glass surface.
3. Reinstall a lens before using the luminaire.

Clean the Lens



WARNING: Do not use ammonia-based or other harsh commercial cleaners. Clean reflector only as directed.

Commercially available glass cleaning agents should be avoided as they may contain ammonia, other harsh chemical detergents or abrasive agents. These cleaners may damage the glass surface and the Anti-Reflective coatings. Do not immerse or soak the glass in any cleaning solution.



Note: The luminaire must be disassembled in order to clean the rear clear/wave lens. See [Assemble Housing on page 7](#) and reverse steps 12–3.

1. Remove dust with a blast of oil-free air or wipe with a clean, lint-free cloth. Isopropyl alcohol, distilled water or a 50%-50% mixture of each can be used to clean the glass surface.
2. Reassemble the luminaire.



Corporate Headquarters ■ Middleton, WI, USA | +1 608 831 4116
Global Offices ■ London, UK | Rome, IT | Holzkirchen, DE | Paris, FR | Hong Kong | Dubai, UAE | Singapore
New York, NY | Orlando, FL | Los Angeles, CA | Austin, TX | © 2023 Electronic Theatre Controls, Inc.
Web etcconnect.com | **Support** support.etcconnect.com | **Contact** etcconnect.com/contactETC
Trademark and patent info: etcconnect.com/ip | Third-party license agreement info: etcconnect.com/licenses
Product information and specifications subject to change. ETC intends this document to be provided in its entirety.
7061M2560-06.01 Rev B Released 2023-09