

ETC Installation Guide

Source Four LED CYC Adapter

Overview

The ETC Source Four LED CYC adapter is an attachment that installs on the front end of any Source Four LED or ColorSource Spot fixture. This document describes how to install this attachment.



WARNING: The Source Four LED CYC is not compatible with Source Four incandescent fixtures. Use with incandescent fixtures will result in equipment failure.

Installation

Images below show a Source Four LED fixture, but the same instructions apply to the ColorSource Spot fixture, too.

Tools Required

- #1 Phillips screwdriver

Disassemble the Shutter Barrel

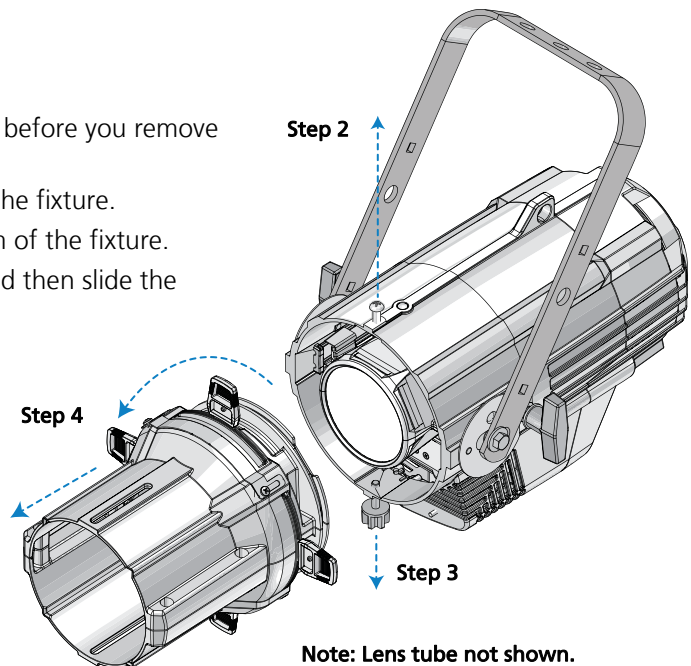


WARNING: Disconnect power to the fixture before you disassemble it. Removing the shutter barrel exposes components that may cause an electric shock when the fixture is energized.



Note: *The small screw and barrel screw that hold the shutter barrel in place will also hold the CYC adapter in place with a tension mounting. You do not need to fully remove the small screw and barrel screw when disassembling the shutter barrel.*

- 1: Remove the lens tube from the fixture before you remove the shutter barrel.
- 2: Loosen the small screw on the top of the fixture.
- 3: Loosen the barrel screw on the bottom of the fixture.
- 4: Rotate the barrel counterclockwise, and then slide the barrel off of the fixture.

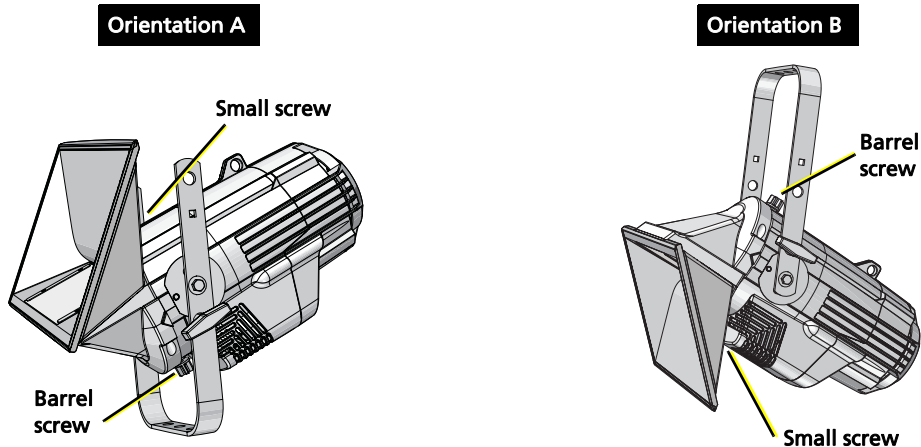


ETC Installation Guide

CYC Adapter

Install the CYC Adapter

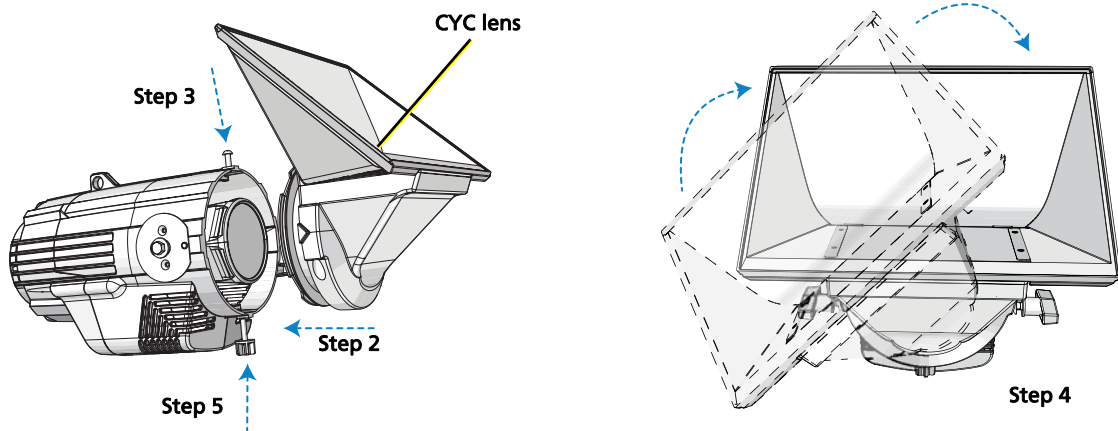
- 1: How are you orienting the CYC adapter in relation to the fixture? (See image below.)
 - Orientation A: Continue to step 2.
 - Orientation B: Swap the small screw and the barrel screw. (The barrel screw is too large to be reinstalled behind the vertical portion of the CYC adapter.) Then continue to step 2.



- 2: Align the threading on the CYC adapter with the fixture (see image below).
- 3: Retighten the small screw.
- 4: Rotate the CYC adapter, squaring it to the fixture and locking it in place.
- 5: Retighten the barrel screw.



Note: *The screws provide a tension mounting of the CYC adapter. Do not over-tighten the screws.*



Clean the CYC Adapter



CAUTION: *Do not use paper towel for cleaning. Paper towel may scratch the CYC adapter.*

Gently wipe the CYC adapter components using a soft cotton or microfiber cloth and a 50/50 mix of water and isopropyl alcohol.