

ETC Installation Guide

XDLT 36° Lens Tube Imaging Aperture Accessory

Overview

The Imaging Aperture Accessory is used with the XDLT 36° lens tube to reduce gobo halos and improve sharpness. Use this accessory in situations where a donut is needed.

Use the following instructions to install the Imaging Aperture Accessory on an XDLT 36° lens tube. The image below shows the lens tube installed on a Source Four LED Series 3.

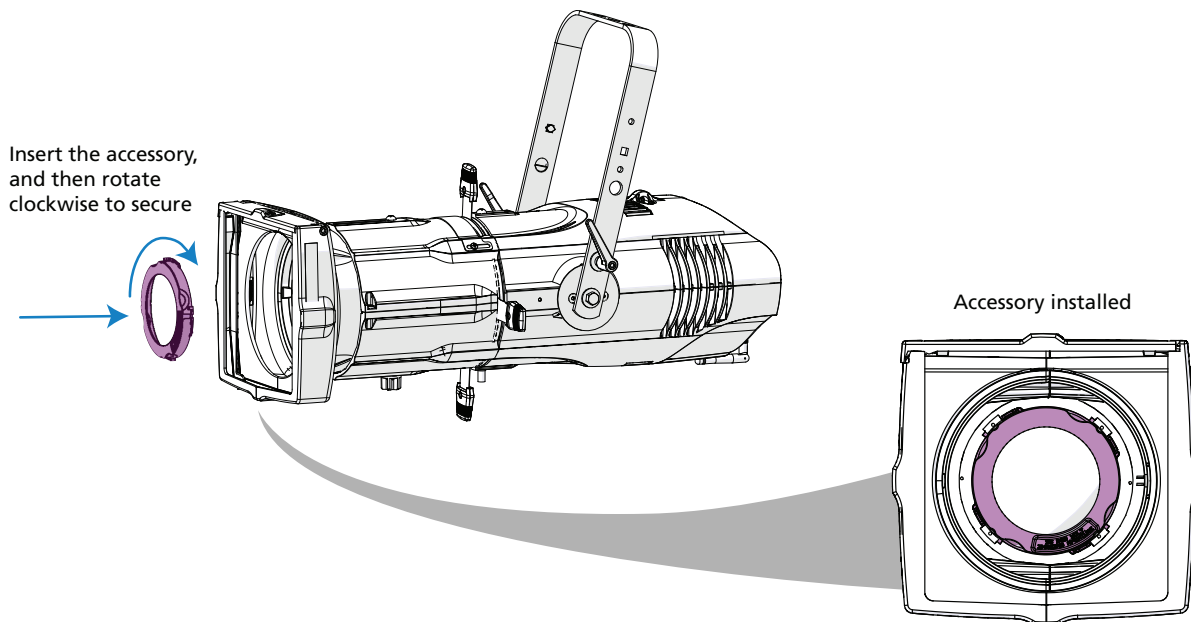


WARNING: Disconnect the fixture from power and DMX and allow it to cool before installing accessories or performing any cleaning and maintenance.

AVERTISSEMENT : Débranchez le projecteur de son alimentation et du DMX et laissez-le refroidir avant d'installer des accessoires ou d'effectuer un nettoyage ou un entretien.

Install the Imaging Aperture Accessory

Insert the accessory, and then rotate it clockwise until the accessory clicks into position.



Remove the Imaging Aperture Accessory

Press the accessory in toward the light engine to free it, and then rotate the accessory counter-clockwise to remove it.

