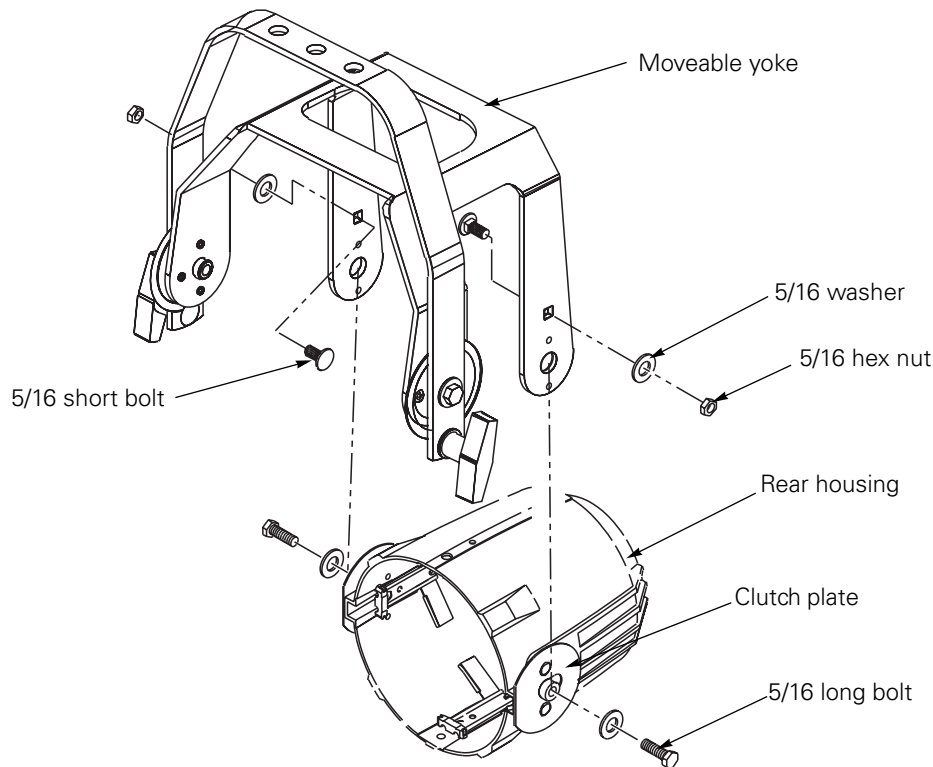


Source Four™ Zoom Balance Yoke Installation Sheet



Installing the Balance Yoke

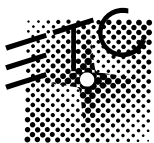
1. Remove the yoke and hardware that were shipped with your Source Four Zoom.
2. Using hardware provided in the Kit, attach the two (2) 5/16 short bolts, (2) 5/16 washers and (2) 5/16 hex nuts to the top hole on the sides of the movable yoke. Do not tighten all the way down. You will do that later in the instructions.

Note: In the drawing above, the bolts in step #2 are positioned so that the head of the bolt is on the "inside" of the movable yoke.

3. Attach the balance yoke assembly to the rear housing, and secure with two (2) 5/16 long bolts and two (2) 5/16 washers.

Note: Be sure that the head of the bolt in step #2 is over the clutch plate. This will lock the moveable yoke to the rear housing.

4. Tighten hex nuts from step #2.



Electronic Theatre Controls

North America 3030 Laura Lane • Middleton, Wisconsin 53562 • USA • Tel: (+1) 608 831 4116 • Fax: (+1) 608 836 1736

Europe 5 Victoria Industrial Estate • Victoria Road • London W3 6UU • Tel: (+44) 181 896 1000 • Fax: (+44) 181 896 2000

Asia Room 605-606 • Tower III • Enterprise Square • 9 Sheung Yuet Road • Kowloon Bay • Hong Kong • Tel: (+852) 2799 1220 • Fax: (+852) 2799 9325

World Wide Web: <http://www.etconnect.com> • **Email:** mail@etconnect.com

Specifications subject to change. Source Four™ Zoom is protected by US patent numbers 5,268,613; 5,446,637; 5,345,371 and 5,544,029. Japan patent number 2,501,772 US and International Patents Pending.

Copyright 2000. Revised 2/00. Part number: 7060M1015