

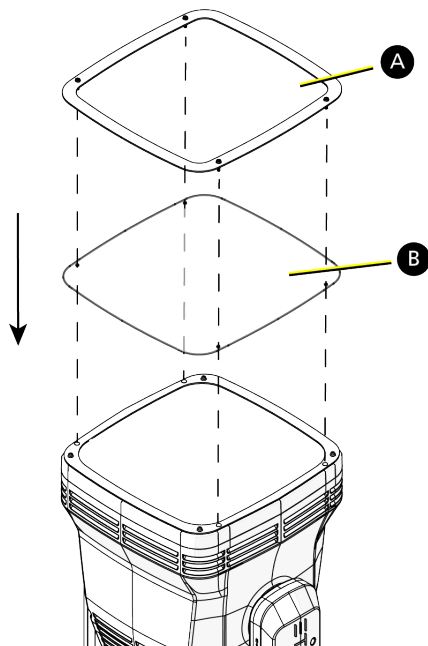
ETC Installation Guide

High End Systems Zeo Diffusion Accessory

A diffusion accessory is available for purchase for the Zeo fixture. Contact your authorized ETC dealer or ETC Technical Services and order part number 2593K1001 (model number ZEO-HG).

The following parts are included in the Zeo Diffusion Accessory kit:

Item	Description	Quantity
A	Diffusion Frame (includes four captured screws)	1
B	Diffusion	1



Installation

Tools and supplies needed (not provided):

- #2 Phillips screwdriver
- Microfiber optical cloth or other non-abrasive cloth
- Purified water or ammonia-free glass cleaner



CAUTION: *The use of paper toweling or other abrasive, high-friction wipes and ammonia-based glass cleaners may permanently damage the diffusion.*

1. Clean both sides of the diffusion using a non-abrasive cloth such as a Silky Microfiber Optical Cloth and glass cleaner such as Miller Stevenson MS-260 Glass Cleaner.
2. Set the diffusion on the front bezel of the Zeo so that the screw holes in the diffusion align with the threaded screw holes in the bezel.
3. Use the #2 Phillips screwdriver to secure the diffusion frame and the diffusion to the bezel:
 - a. Fit the captured screws in the diffusion frame through the screw holes in the diffusion.
 - b. Tighten the screws into the threaded screw holes in the bezel.

