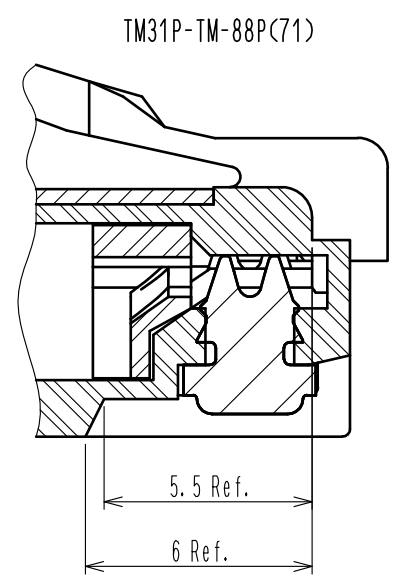
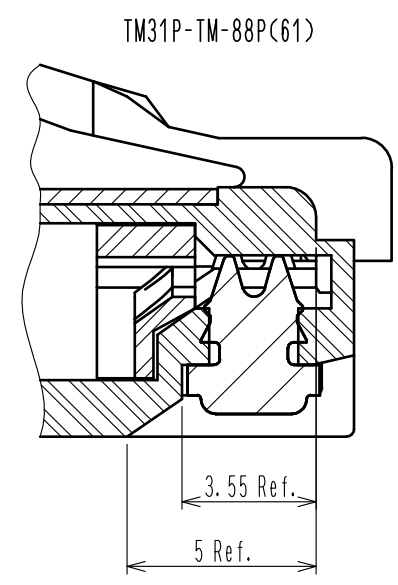


A-A(5:1) (After insulation displacement)



1 Table-1

Applicable cable wire		
	Conductor	AWG#24 Stranded wire to Awg#27 Stranded wire
	Insulator diameter	φ0.9 to φ1.0
	Jacket diameter	φ5.8 to φ6.0

- Notes 1 Applicable cable is shown in Table-1.
 2. Refer to HRS instruction manual(ETAD-E2847) for cable assembling that meets CAT6a performance.
 3 Colors are different depending on the specification number.

2	Phosphor bronze	Contact : Gold plating 1.27 μm min Lead : Gold plating 0.03 μm min Under : Nickel plating 2 μm min	4	Polycarbonate	Yellow
1	Phosphor bronze	Contact : Gold plating 1.27 μm min Lead : Gold plating 0.03 μm min Under : Nickel plating 2 μm min	3	Stainless steel	Over : Nickel plating 0.5 μm min
NO.	MATERIAL	FINISH . REMARKS	NO.	MATERIAL	FINISH . REMARKS
UNITS mm		SCALE 2 : 1	COUNT	DESCRIPTION OF REVISIONS	
DESIGNED		CHECKED		DATE	
APPROVED : MN. KENJO		20190329		DRAWING NO. EDC-126868-71-00	
CHECKED : TU. TANIGUCHI		20190327		PART NO. TM31P-TM-88P(71)	
DESIGNED : SH. KOYAMA		20190327		CODE NO. CL222-4626-7-71	
DRAWN : SH. KOYAMA		20190327		1/1	