

# HRIG100

## MODULAR FLYING BAR FOR HORIZONTAL ARRAYS

# TORUS

### Features

- Front and rear bar locations allow for a wide range of positive and negative angles.
- 1 point lift
- Maximum of 3 cabinets 1 x HRIG100
- Maximum of 6 cabinets 2 x HRIG100
- Available in black or white

### Applications

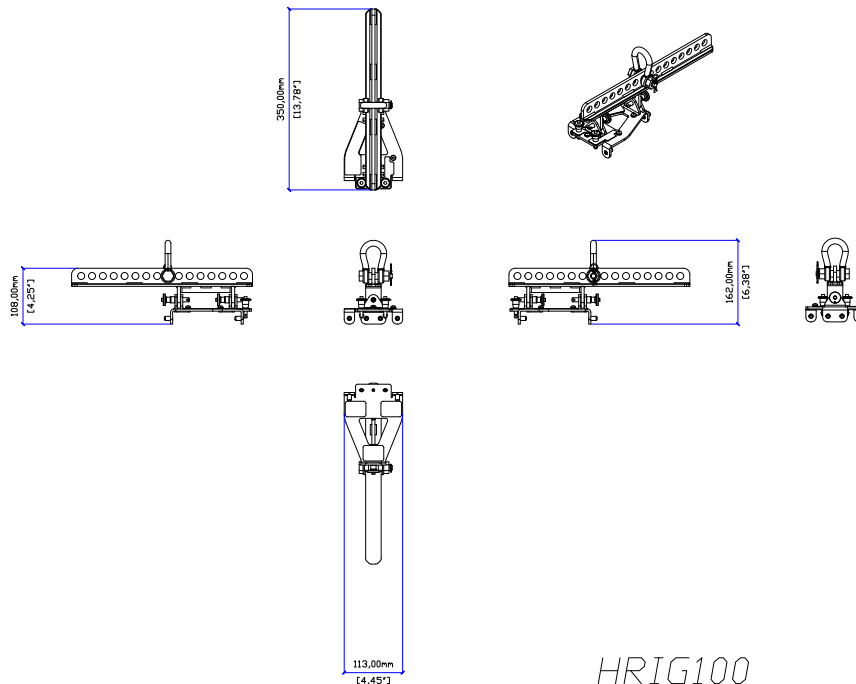
- Touring and installed TORUS T12 and T8 cabinets

### Contents

- 1 x Mounting Plate
- 1 x Lift Bar
- 4 x Fly Pins
- 1 x 1.5t Shackle

### Technical Specifications

Weight:	1.7kg (3.7lb)
Material:	Weatherised Polyester Powder coated steel



HRIG100