

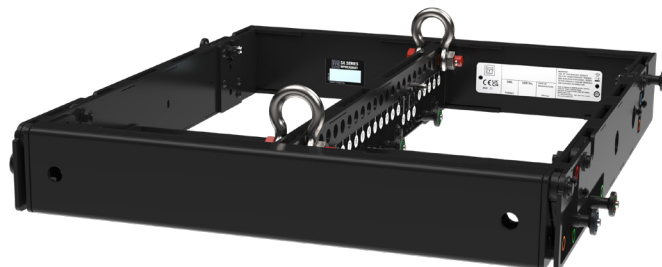
WPM SXGRIDT

TOURING FLYING FRAME FOR WPM AND SXCF115



Features

- Captive 3-point rigging system (WPM)
- 4-point rigging system (SXCF115)
- Fly up to 24 WPM Cabinets or 16 SXCF115 subwoofers
- Ground-stack up to 8 WPM cabinets (requires ground stack kit WPSOUTRIG)
- Combined WPM and SXCF115 ground stack arrays (refer to DISPLAY software for rigging limitations)
- Inclinator sensor mounting point.
- 1 or 2 point pick-up
- Available in Black or White



Applications

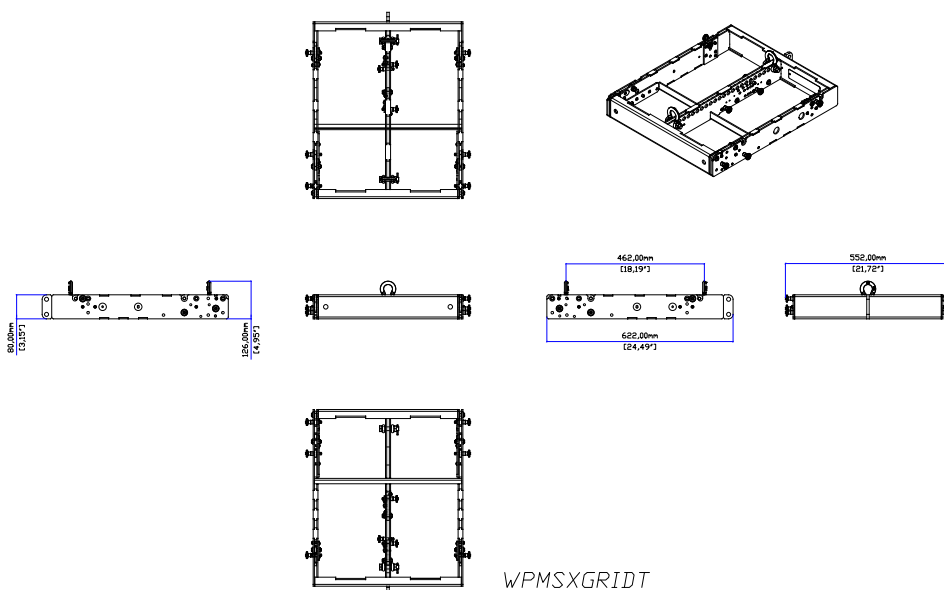
- Touring flown or ground stacked WPM, SXCF115 or combination arrays.

Contents

- 1 x Flying Frame
- 2 x 1.5t Shackles
- 11 x Fly pins

Technical Specifications

Weight:	17.2kg 37.9lb
Material:	Weatherised Polyester Powder coated steel



WPM SXGRIDT