

# T820

## System Circuit Configurations and Kit List

# TORUS



This guide is intended to identify the most effective ways in which TORUS T820 loudspeakers can be connected to an iKON amplifier dependant on the resolution applied.

Images show amplifier channel allocation, wiring schematic and amplifier circuit assignment (bi-wire switch setting) when deploying TORUS T820 based on the number of cabinets used.

Spare amplifier channels are shown to identify where users could implement other products into a system design such as accompanying subwoofers/loudspeakers.

All TORUS bi-wired circuit configurations are designed to utilise 4-core speaker cable as standard.

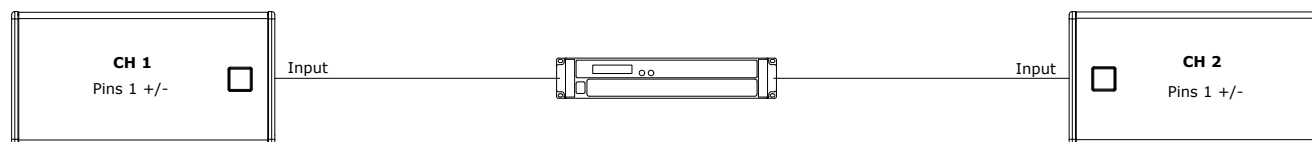
For system deployment and application examples, please see TORUS T820 System Deployment Guide.

For any enquiries, please contact [technical@martin-audio.com](mailto:technical@martin-audio.com) who will be happy to help.

# T820 System Circuit Configurations and Kit List



## T820 One Box @ One Box Resolution



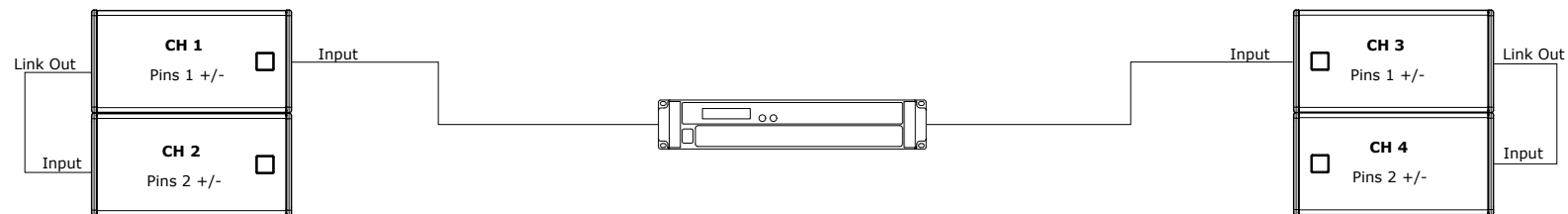
### Kit List

2 x T820  
2 x SBAR40/POLERIG20  
1 x iK42/81  
2 x PWA00241 4-Core Speaker Cable  
SPARE CHANNELS AVAILABLE = TWO/SIX

# T820 System Circuit Configurations and Kit List



## T820 Two Box Array @ One Box Resolution



### Kit List

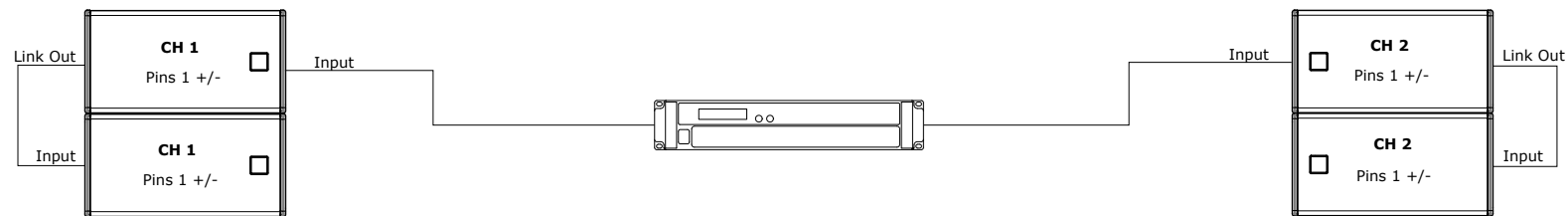
4 x T820  
 2 x T8GRID  
 1 x iK42  
 2 x PWA00238 4-Core Cabinet Link Cable  
 2 x PWA00241 4-Core Speaker Cable

SPARE CHANNELS AVAILABLE = 0

# T820 System Circuit Configurations and Kit List



## T820 Two Box Array @ Two Box Resolution



### Kit List

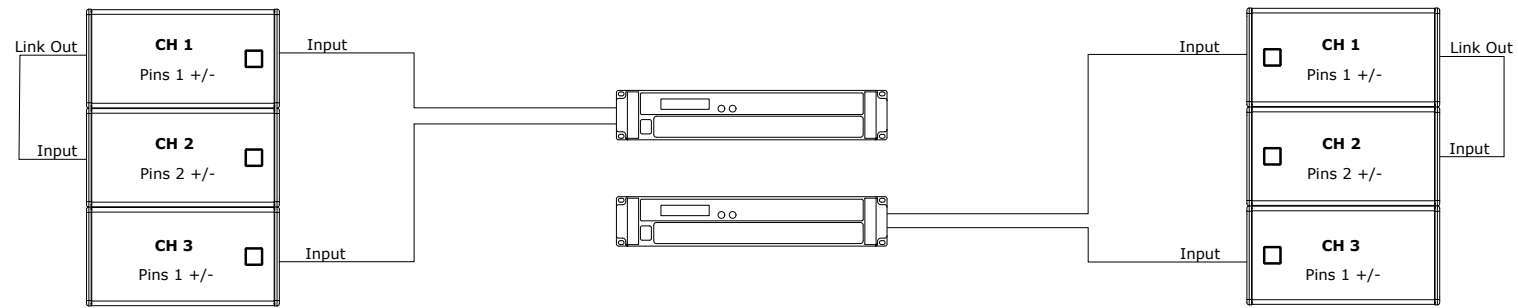
- 4 x T820
- 2 x T8GRID
- 1 x iK42
- 2 x PWA00238 4-Core Cabinet Link Cable
- 2 x PWA00241 4-Core Speaker Cable

SPARE CHANNELS AVAILABLE = 2

# T820 System Circuit Configurations and Kit List



## T820 Three Box Array @ One Box Resolution



### Kit List

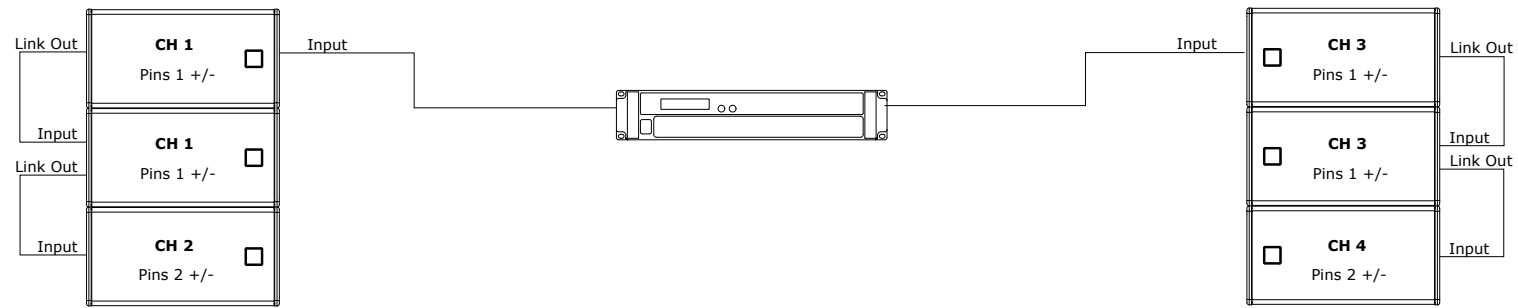
6 x T820  
 2 x T8GRID  
 2 x iK42  
 2 x PWA00238 4-Core Cabinet Link Cable  
 4 x PWA00241 4-Core Speaker Cable

SPARE CHANNELS AVAILABLE = 2

# T820 System Circuit Configurations and Kit List



## T820 Three Box Array @ Two Box Resolution



### Kit List

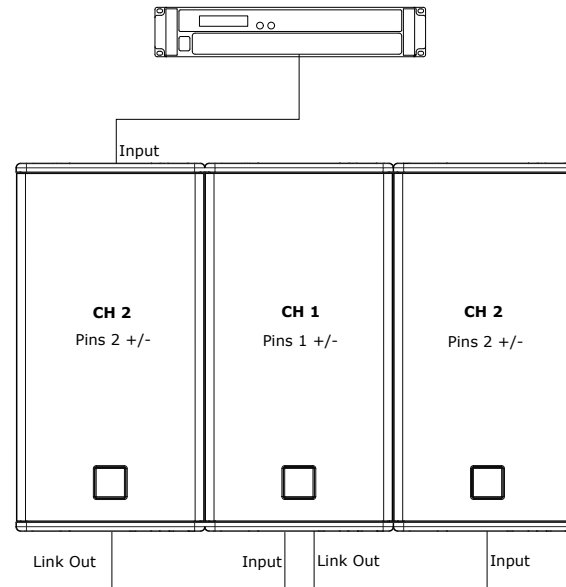
6 x T820  
 2 x T8GRID  
 2 x iK42  
 2 x PWA00238 4-Core Cabinet Link Cable  
 4 x PWA00241 4-Core Speaker Cable

SPARE CHANNELS AVAILABLE = 0

# T820 System Circuit Configurations and Kit List



## T820 Three Box Horizontal Array @ Two Box Resolution



### Kit List

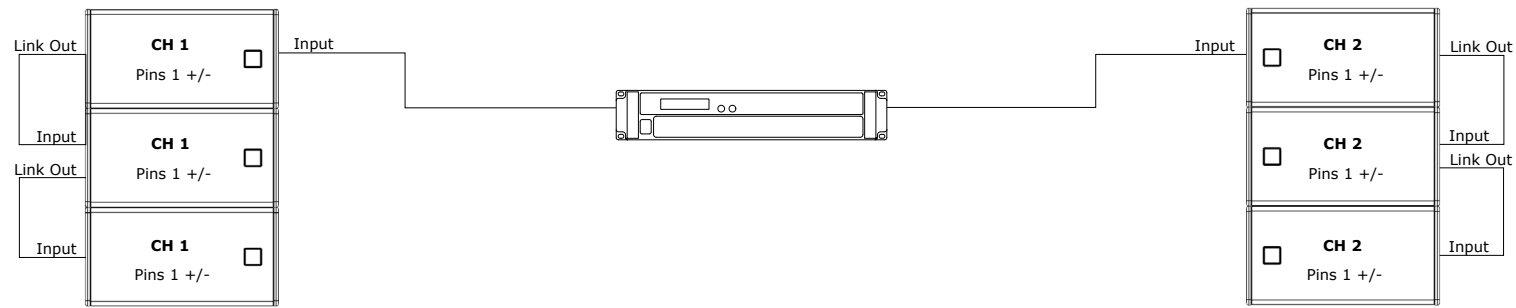
3 x T820  
 1 x HRIG100  
 1 x iK42  
 2 x PWA00238 4-Core Cabinet Link Cable  
 1 x PWA00241 4-Core Speaker Cable

SPARE CHANNELS AVAILABLE = 2

# T820 System Circuit Configurations and Kit List



## T820 Three Box Array @ Three Box Resolution



### Kit List

6 x T820  
 2 x T8GRID  
 1 x iK42  
 4 x PWA00238 4-Core Cabinet Link Cable  
 2 x PWA00241 4-Core Speaker Cable

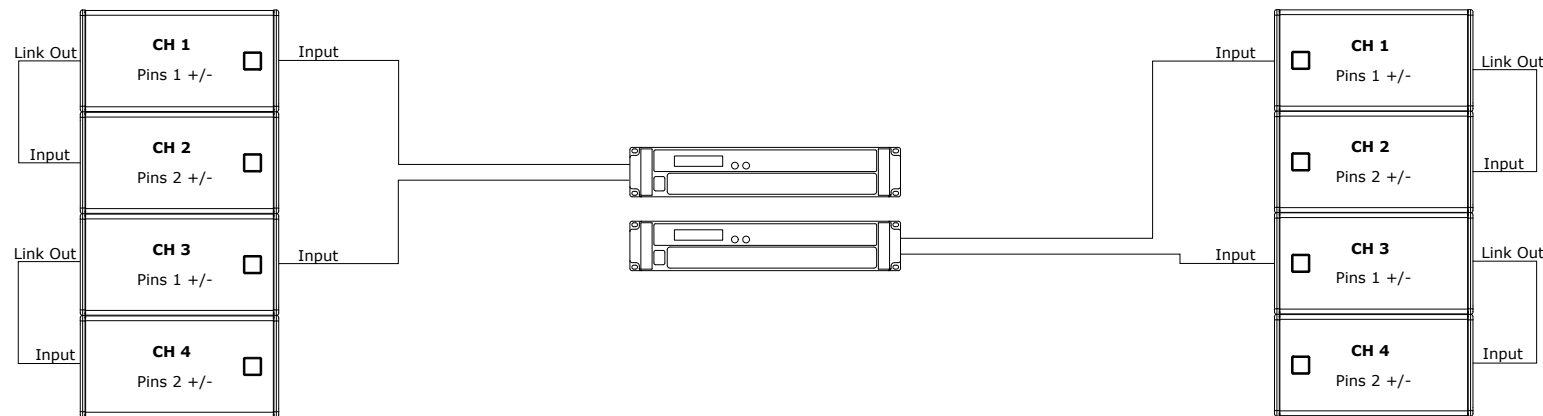
SPARE CHANNELS AVAILABLE = 2



# T820 System Circuit Configurations and Kit List



## T820 Four Box Array @ One Box Resolution



### Kit List

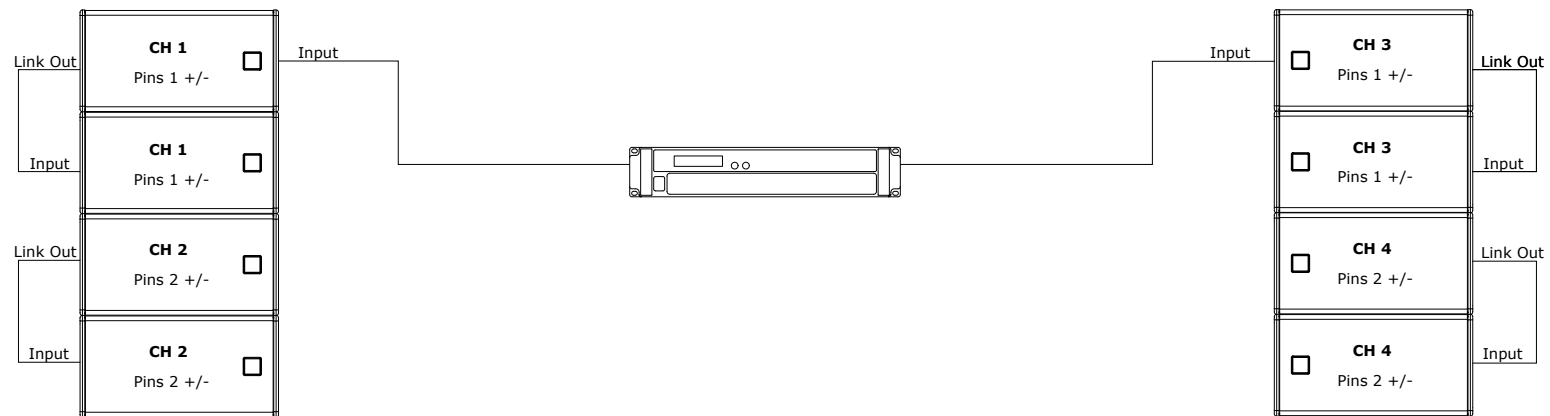
8 x T820  
 2 x T8GRID  
 2 x iK42  
 4 x PWA00238 4-Core Cabinet Link Cable  
 4 x PWA00241 4-Core Speaker Cable

SPARE CHANNELS AVAILABLE = 0

# T820 System Circuit Configurations and Kit List



## T820 Four Box Array @ Two Box Resolution



### Kit List

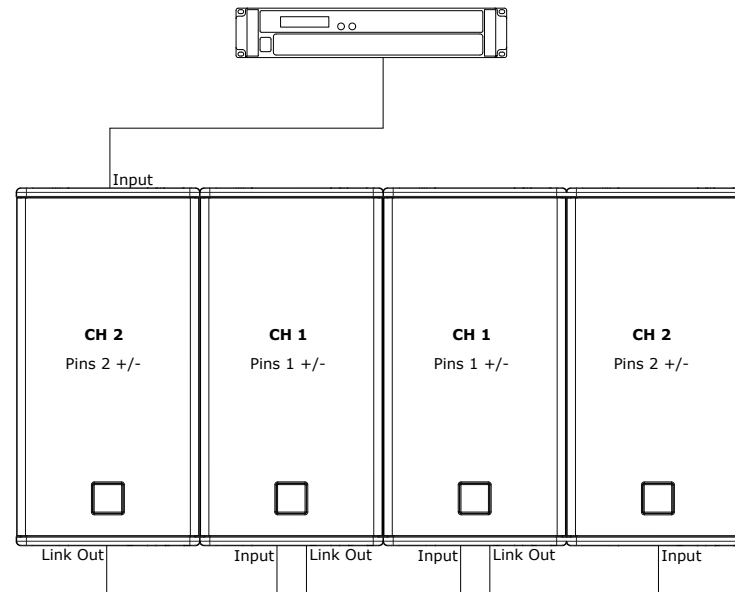
8 x T820  
 2 x T8GRID  
 2 x iK42  
 4 x PWA00238 4-Core Cabinet Link Cable  
 4 x PWA00241 4-Core Speaker Cable

SPARE CHANNELS AVAILABLE = 0

# T820 System Circuit Configurations and Kit List



## T820 Four Box Horizontal Array @ Two Box Resolution



### Kit List

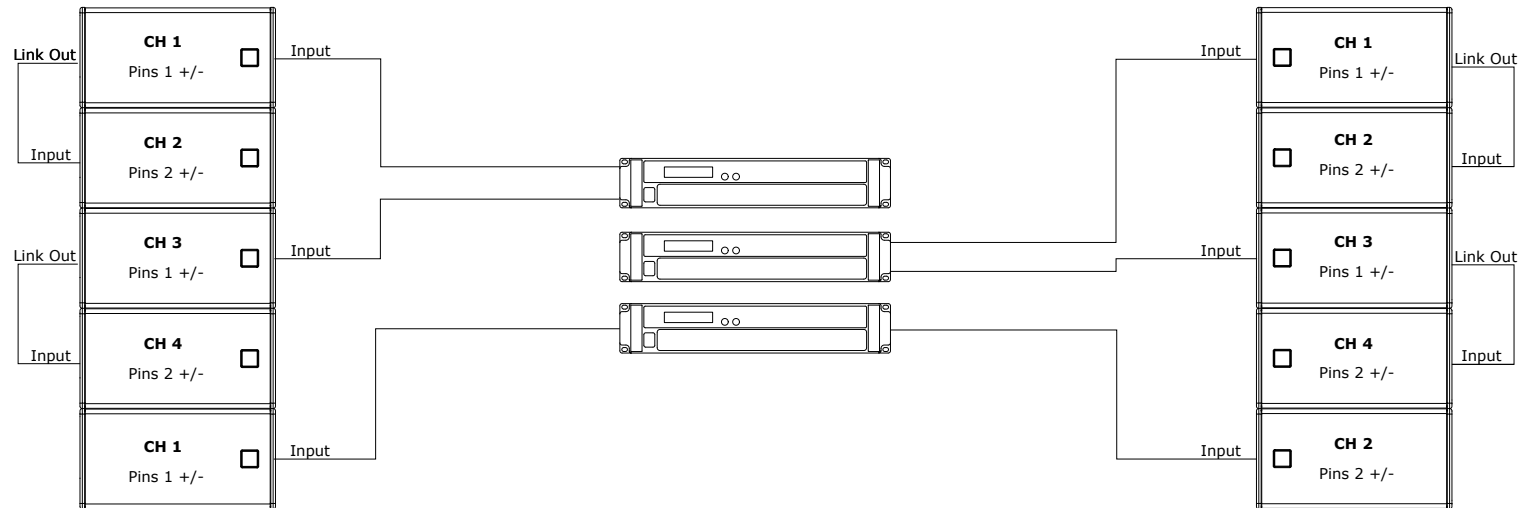
- 4 x T820
- 2 x HRIG100
- 1 x iK42
- 3 x PWA00238 4-Core Cabinet Link Cable
- 1 x PWA00241 4-Core Speaker Cable

SPARE CHANNELS AVAILABLE = 2

# T820 System Circuit Configurations and Kit List



## T820 Five Box Horizontal Array @ One Box Resolution



### Kit List

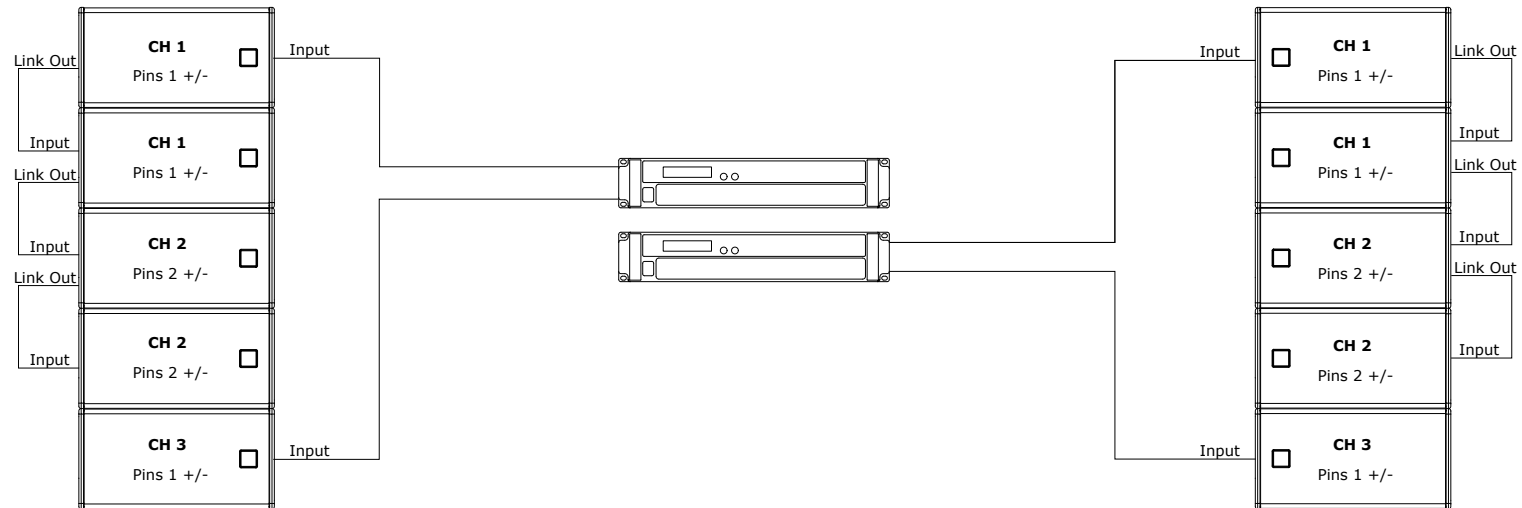
10 x T820  
 4 x T8PB  
 3 x iK42  
 6 x PWA00238 4-Core Cabinet Link Cable  
 4 x PWA00241 4-Core Speaker Cable

SPARE CHANNELS AVAILABLE = 2

# T820 System Circuit Configurations and Kit List



## T820 Five Box Array @ Two Box Resolution



### Kit List

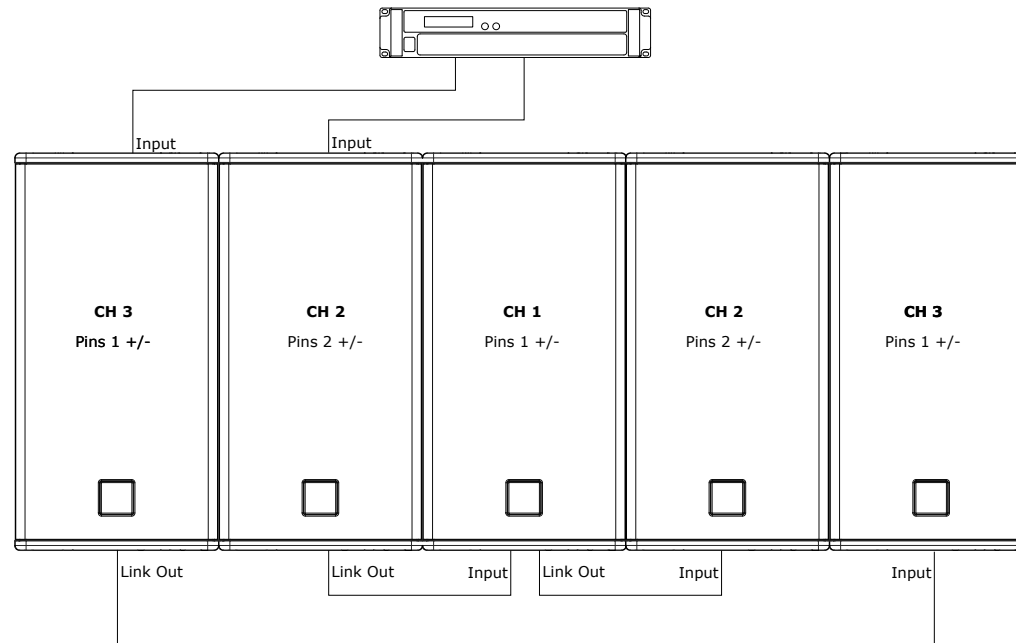
10 x T820  
 4 x T8PB  
 2 x iK42  
 6 x PWA00238 4-Core Cabinet Link Cable  
 4 x PWA00241 4-Core Speaker Cable

SPARE CHANNELS AVAILABLE = 2

# T820 System Circuit Configurations and Kit List



## T820 Five Box Horizontal Array @ Two Box Resolution



### Kit List

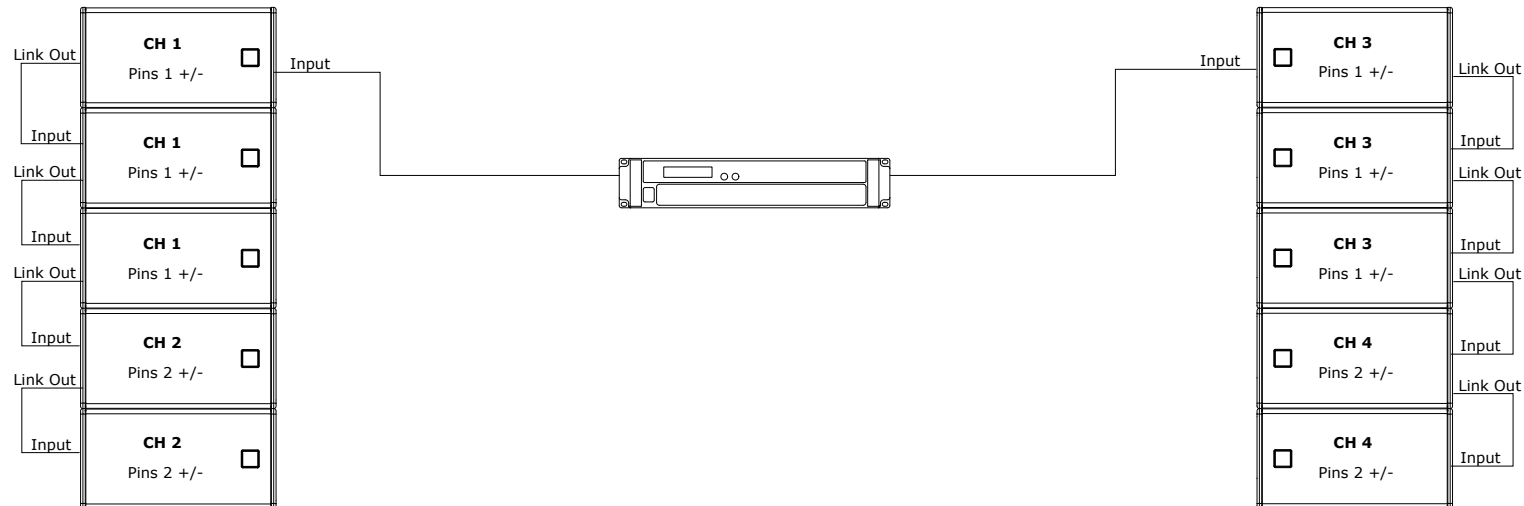
5 x T820  
 2 x HRIG100  
 1 x iK42  
 2 x PWA00238 4-Core Cabinet Link Cable  
 1 x PWA00239 4-Core Cabinet Link Cable  
 2 x PWA00241 4-Core Speaker Cable

SPARE CHANNELS AVAILABLE = 1

# T820 System Circuit Configurations and Kit List



## T820 Five Box Array @ Three Box Resolution



### Kit List

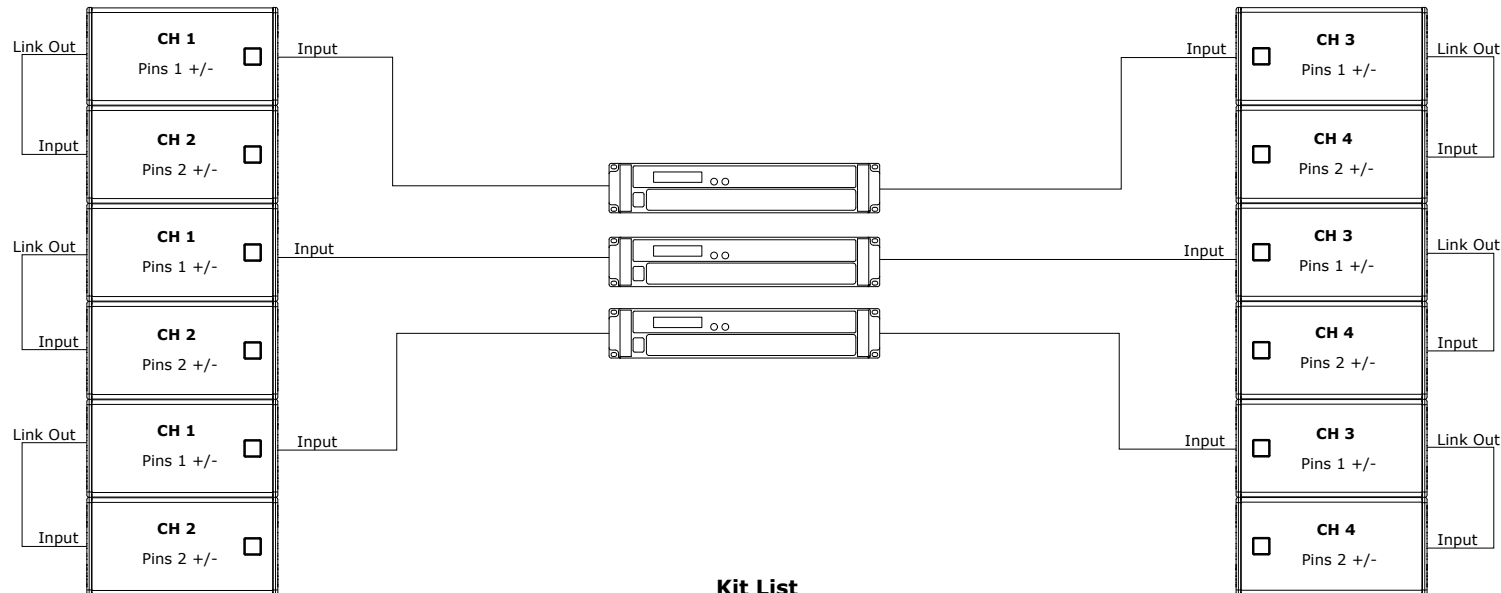
10 x T820  
 4 x T8PB  
 1 x iK42  
 8 x PWA00238 4-Core Cabinet Link Cable  
 2 x PWA00241 4-Core Speaker Cable

SPARE CHANNELS AVAILABLE = 2

# T820 System Circuit Configurations and Kit List



## T820 Six Box Array @ One Box Resolution



### Kit List

12 x T820  
 4 x T8PB  
 3 x IK42  
 6 x PWA00238 4-Core Cabinet Link Cable  
 6 x PWA00241 4-Core Speaker Cable

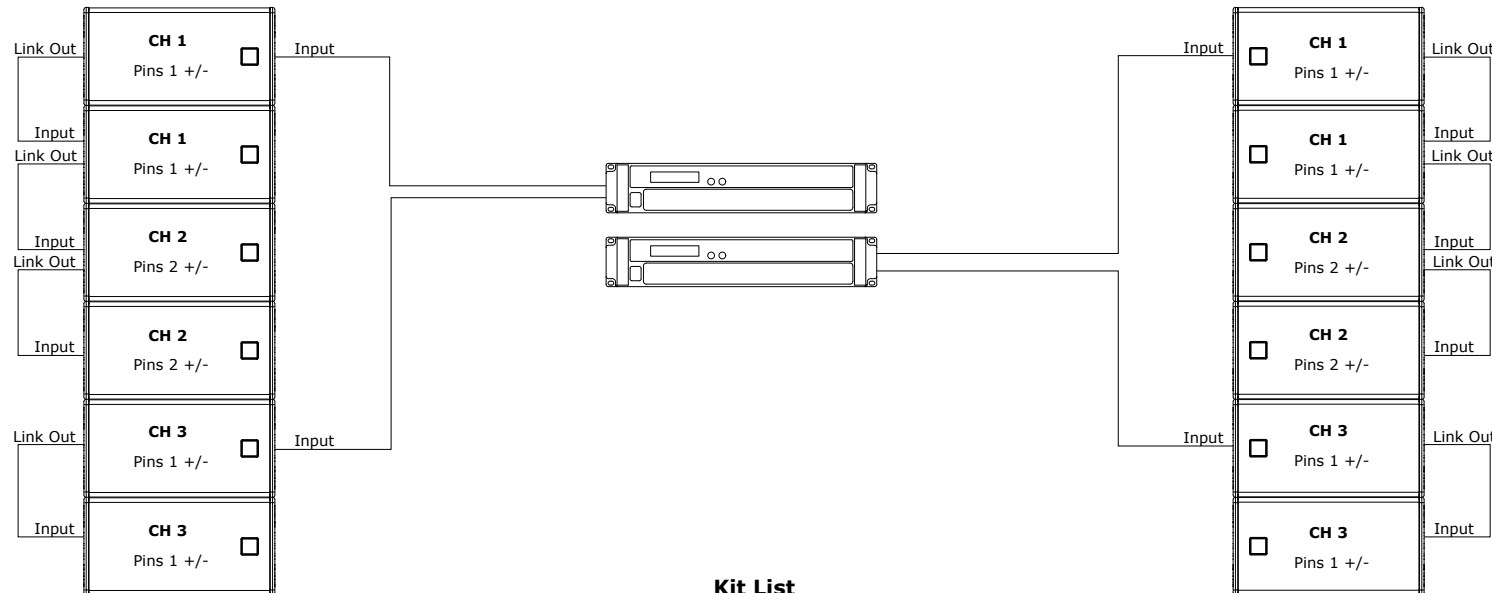
SPARE CHANNELS AVAILABLE = 0



# T820 System Circuit Configurations and Kit List



## T820 Six Box Array @ Two Box Resolution



### Kit List

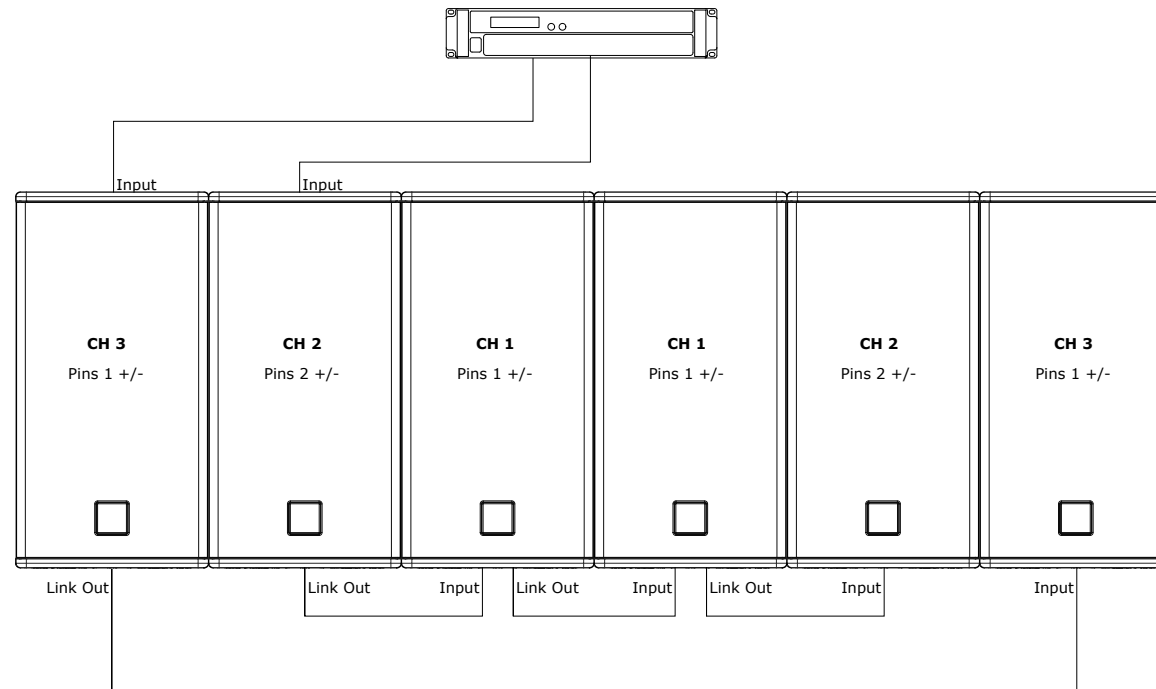
12 x T820  
 4 x T8PB  
 2 x iK42  
 8 x PWA00238 4-Core Cabinet Link Cable  
 4x PWA00241 4-Core Speaker Cable

SPARE CHANNELS AVAILABLE = 2

# T820 System Circuit Configurations and Kit List



## T820 Six Box Horizontal Array @ Two Box Resolution



### Kit List

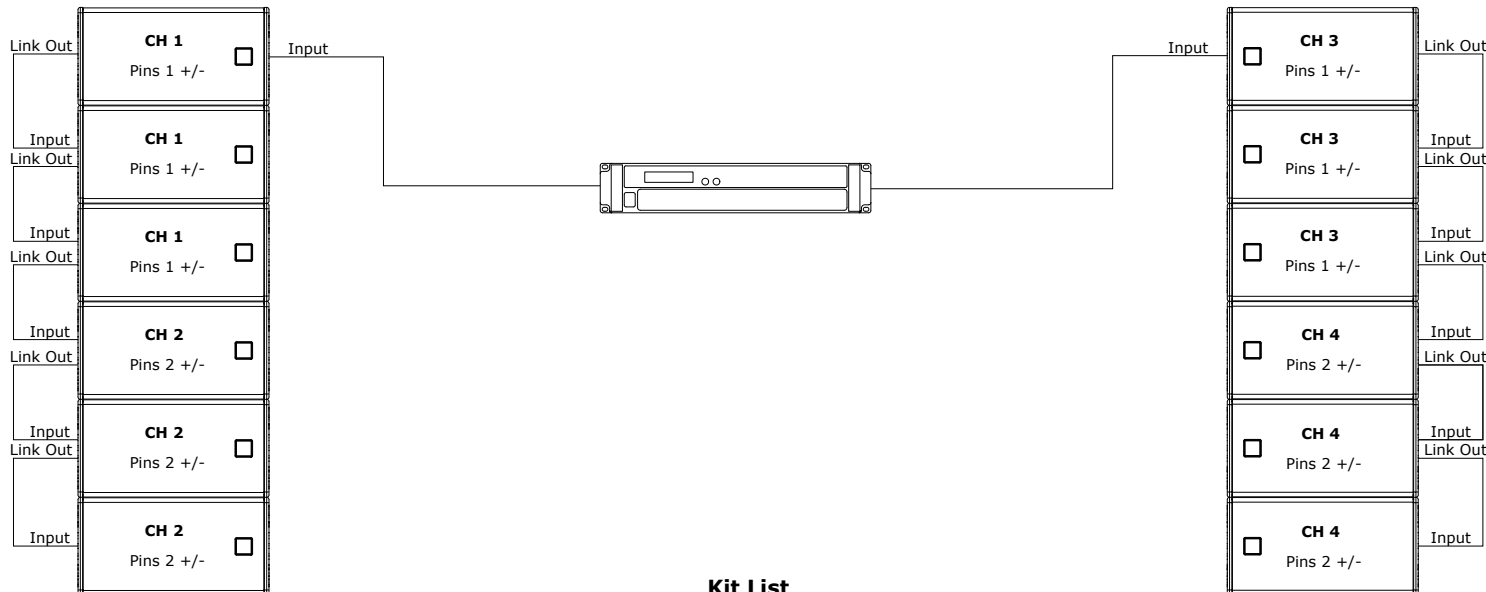
6 x T820  
 2 x HRIG100  
 1 x iK42  
 3 x PWA00238 4-Core Cabinet Link Cable  
 1 x PWA00239 4-Core Cabinet Link Cable  
 2x PWA00241 4-Core Speaker Cable

SPARE CHANNELS AVAILABLE = 1

# T820 System Circuit Configurations and Kit List



## T820 Six Box Array @ Three Box Resolution



### Kit List

12 x T820  
 4 x T8PB  
 2 x iK42  
 10 x PWA00238 4-Core Cabinet Link Cable  
 2x PWA00241 4-Core Speaker Cable

SPARE CHANNELS AVAILABLE = 0