

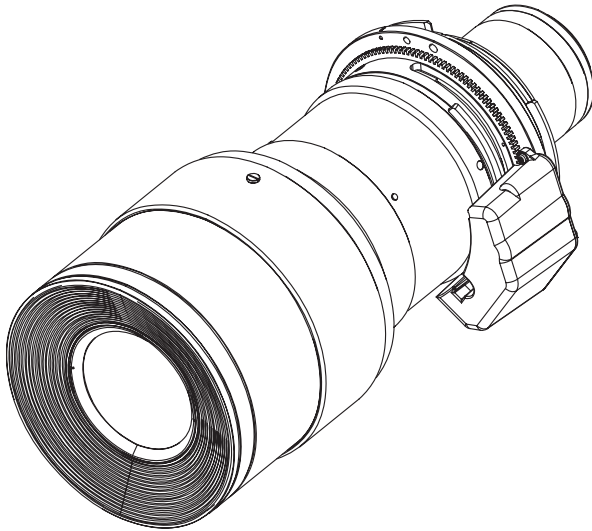
Panasonic®

Operating Instructions

Zoom Lens

Commercial Use

Model No. ET-D3LEW300



ENGLISH

FRANÇAIS

日本語

Thank you for purchasing this Panasonic product.

- To ensure correct use of this lens, please read the operating instructions supplied with the lens and the projector carefully.
- **Before using this product, be sure to read “Read this first!” (▶Page 3).**
- Please save this manual for future use.

Contents

Read this first!	3
Before Use	4
Preparation	5
Before replacing the projection lens	5
Attaching and Detaching the Lens	5
Peripheral focus adjustment function	5
Lens calibration	5
Projection relationships	6
Lens shift ranges	9
Specifications	11
Dimensions	11
Projected image size and Projection distance	Appendix / Annexe / 付録 1
The "Appendix" can be found after the Japanese language section (日本語).	

WARNING:

Do not look at or place your skin into the light emitted from the lens while the projector is being used.

Doing so can cause burns or loss of sight.

- Strong light is emitted from the projector's lens. Do not look at or place your hands directly into this light.
- Turn off the power when moving away from the projection lens or projector.

Do not project an image with the lens cover attached.

- Doing so can cause fire.

CAUTION:

Before replacing the projection lens, be sure to turn off the power and disconnect the power plug from the wall outlet.

- Unexpected projection of light may cause injury to eyes.
- Replacing the projection lens without removing the power plug may result in electric shock.

Do not stand in front of the lens while the projector is being used.

Doing so can cause damage and burns to clothing.

- Strong light is emitted from the projector's lens.

Do not place objects in front of the lens while the projector is being used.

Doing so can cause fire, damage to the object, or malfunction of the lens and projector.

- Strong light is emitted from the projector's lens.

Do not open the desiccant bag. Do not eat the contents.

Inadvertently ingesting desiccant could be harmful.

- If the desiccant gets into your eyes or mouth, immediately rinse with plenty of water and seek medical attention.
- Keep desiccant out of the reach of children.

Before Use

Supported projectors

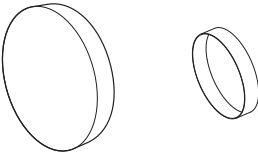
PT-RQ35K / PT-RZ34K / PT-RQ32K / PT-RZ31K / PT-RS30K / PT-RQ25K / PT-RZ24K / PT-RQ22K / PT-RZ21K / PT-RS20K / PT-RQ18K / PT-RZ17K / PT-RZ16K / PT-RZ14K

Note

- Some of the alphabet letters at the end of projector model numbers may be omitted in this manual.
- Models other than the above may also be supported. Refer to the operating instructions for your projector or the following website.
<https://panasonic.net/cns/projector/>
- If the projector you are using is PT-RQ32K / PT-RZ31K / PT-RS30K / PT-RZ21K / PT-RS20K, you may not be able to use the projection lens depending on main version of the firmware. If main version of the firmware is the version number shown below, update to the latest firmware before use.
 - PT-RQ32K / PT-RZ31K / PT-RS30K: Earlier than 3.00
 - PT-RZ21K / PT-RS20K: Earlier than 2.00For details on the update procedure, refer to the latest firmware information on the following website.
<https://panasonic.net/cns/projector/pass/>
- The main version of the firmware version can be checked in the [STATUS] screen.

Supplied Accessories

Make sure that the following has been provided.

Part name	Appearance
Lens cover	 <ul style="list-style-type: none">● The product is delivered with a lens cover attached. <p style="text-align: right;">1 each for front and rear</p>

Preparation

Before replacing the projection lens

Return the projection lens to the home position before replacing or removing it. For details on how to return the lens to the home position, refer to the operating instructions of the projector.

Attention

- Make sure that the projector power supply is switched off before attaching or detaching the projection lens.
- After removing the projection lens, store it safely away from vibration or impacts.
- Do not touch the electrical contacts of the projection lens with your fingers. Dust and dirt on the contacts may cause contact malfunctions, while static electricity may damage the unit.
- Do not touch the surface of the lens with bare hands. Finger prints and dirt on the surface of the lens will be magnified by the lens and lower the quality of the projected image. Place the supplied lens cover on the zoom lens when the projector is not in use.
- The lens could be damaged if brought into contact with or rubbed against hard objects. Handle the lens carefully.
- Use a clean, soft and dry cloth to wipe away dust and dirt from the projection lens. Do not use fluffy cloths containing oil, water or dust for cleaning. The lens is easily damaged, so do not apply excessive pressure when wiping it.

Attaching and Detaching the Lens

For details on attaching and detaching the projection lens, refer to the operating instructions of the projector.

Peripheral focus adjustment function

When you change the size of the projected image, the focal balance between the center and peripheral areas of the screen may shift. This shift in balance tends to increase proportionally with smaller throw ratios.

The ET-D3LEW300 is equipped with a peripheral focus adjustment function to correct the shift in focal balance between the center and peripheral areas of the screen.

For instructions on adjusting the peripheral focus, refer to “Projecting” in the operating instructions for the projector.

Lens calibration

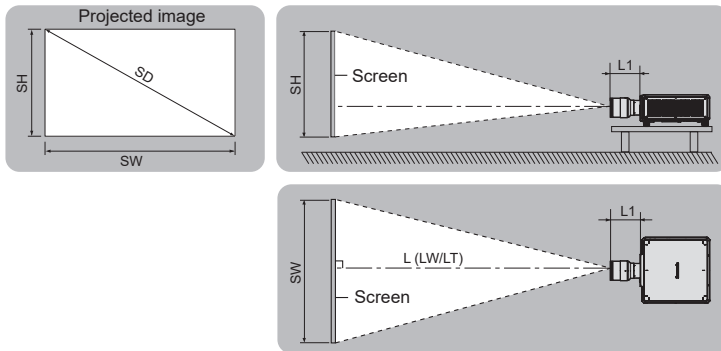
Perform lens calibration after attaching the lens.

For instructions on the lens calibration, refer to “Projecting” in the operating instructions for the projector.

Projection relationships

The dimensional relationship between the screen and the projector is shown below.

Dimensional relationship diagram



Note

- This diagram assumes that the size and position of the projected image will be adjusted so that the image fills the entire screen.
- This illustration is not drawn to scale.

L		Projection distance
	LW	Minimum distance
	LT	Maximum distance
L1		Lens protrusion dimension
SH		Projected image height
SW		Projected image width
SD		Projected image size

Dimension for L1 (approximate values)

(Unit: m)

Projector model	Dimension for L1 (approximate value)
PT-RQ35K / PT-RZ34K	0.273
PT-RQ32K / PT-RZ31K / PT-RS30K	0.242
PT-RQ25K / PT-RQ18K / PT-RZ24K / PT-RZ17K / PT-RZ14K	0.272
PT-RQ22K / PT-RZ21K / PT-RS20K / PT-RZ16K	0.270

Note

- The illustrations of projectors in this manual are for informational purposes only and do not represent a specific projector model. Configurations may vary with the model.

Attention

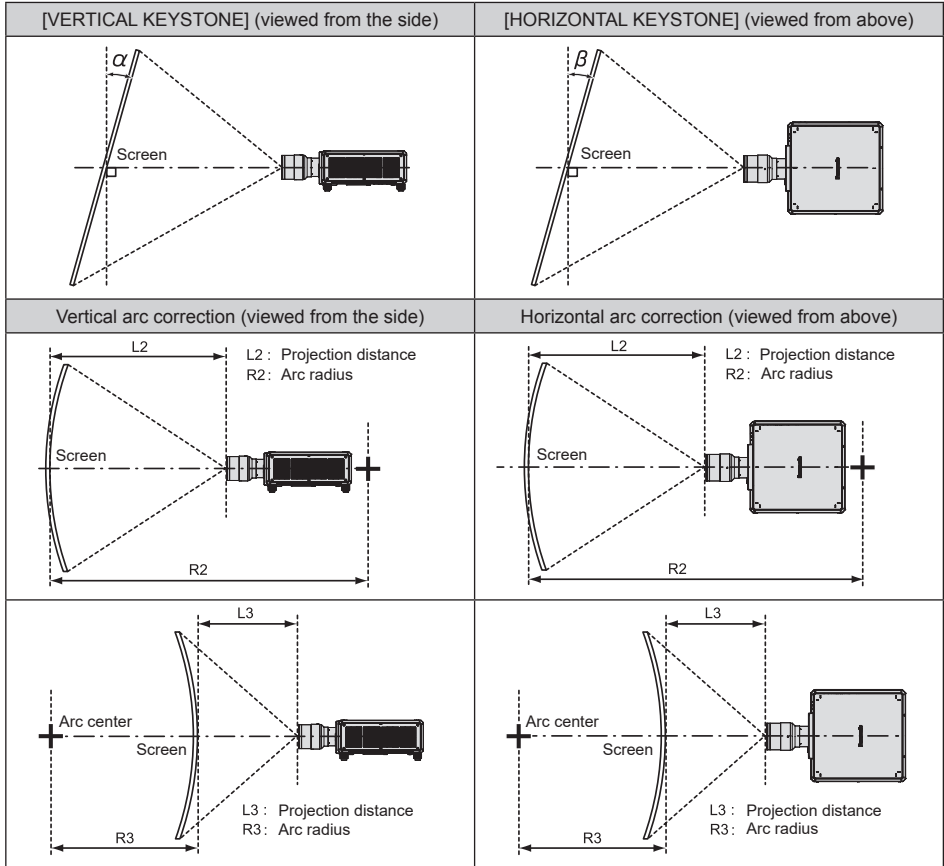
- To prevent obstruction of the intake and exhaust vents, install the projector with a clearance from walls and objects. For details about the required distance from surrounding walls and objects, refer to the operating instructions for your projector.
If you are installing the projector in a sealed space, be sure to provide additional air conditioning equipment and ventilation equipment. Insufficient ventilation will result in an accumulation of heat and may activate the projector's protection circuit.
- Avoid setting up in places which are subject to sudden temperature changes, such as near an air conditioner or lighting equipment (studio lamps, etc.).

Projection relationships (continued)

■ Dimensional relationship

For details on the projection distance (L), refer to “Projected image size and Projection distance” and “Projection distance formulas” in the Appendix.

■ [GEOMETRY] projection range



Projection relationships (continued)

Projector Model No.	Only [KEYSTONE] used		[KEYSTONE] and [CURVED CORRECTION] used together				Only [CURVED CORRECTION] used	
	Vertical keystone correction angle α (°)	Horizontal keystone correction angle β (°)	Vertical keystone correction angle α (°)	Horizontal keystone correction angle β (°)	Min. value of R2/L2	Min. value of R3/L3	Min. value of R2/L2	Min. value of R3/L3
PT-RQ35K / PT-RZ34K / PT-RQ32K / PT-RZ31K / PT-RS30K / PT-RQ22K / PT-RZ21K / PT-RS20K / PT-RZ16K	±15	±5	—	—	—	—	—	—
PT-RQ25K / PT-RZ24K / PT-RQ18K / PT-RZ17K / PT-RZ14K	±28	±15	±10	±10	1.2	3.0	0.7	1.7

Note

- When [GEOMETRY] is used, the focus of the entire screen may be lost as correction increases.

Lens shift ranges

Perform the lens position shift within the adjustment range.

Perform lens shift adjustment within the ranges shown in the following illustrations.

The focus may change when the lens position is shifted out of the adjustment range.

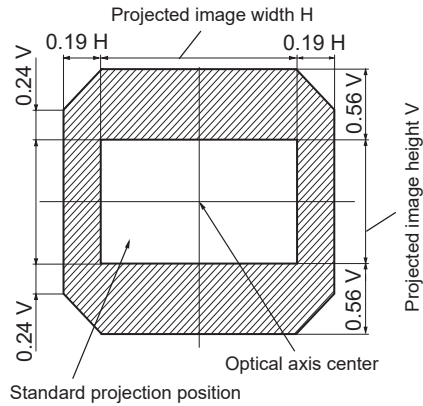
This is because the movement of the lens is restricted to protect the optical parts.

Projection position can be adjusted with the optical axis shift based on the home position in the respective range.

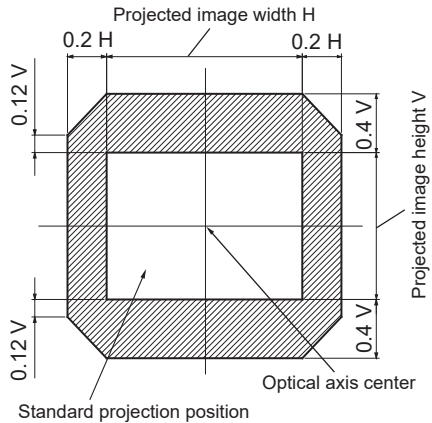
<p>PT-RQ35K / PT-RZ34K / PT-RZ31K / PT-RZ21K / PT-RZ16K</p>	<p>Projected image width H</p> <p>0.15 H</p> <p>0.15 H</p> <p>0.12 V</p> <p>0.12 V</p> <p>0.44 V</p> <p>0.44 V</p> <p>Projected image height V</p> <p>Optical axis center</p> <p>Standard projection position</p>
<p>PT-RQ25K / PT-RZ24K / PT-RQ18K / PT-RZ17K / PT-RZ14K</p>	<p>Projected image width H</p> <p>0.18 H</p> <p>0.18 H</p> <p>0.14 V</p> <p>0.14 V</p> <p>0.52 V</p> <p>0.52 V</p> <p>Projected image height V</p> <p>Optical axis center</p> <p>Standard projection position</p>

Lens shift ranges (continued)

PT-RQ32K /
PT-RQ22K



PT-RS30K /
PT-RS20K



Note

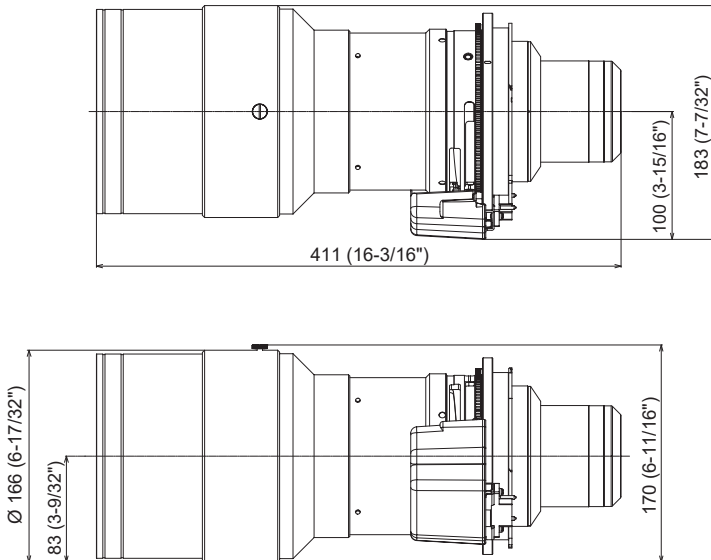
- The home position of the projector is a point of origin position for the lens shift (i.e., vertical and horizontal positions of the lens) based on the results of lens calibration. It is not the optical center position of the screen.

Specifications

Model No.	ET-D3LEW300		
F value	2.5		
Focal Length (f)	16.36 mm (21/32") - 19.63 mm (25/32")		
Supported screen size	70" to 1 000"		
Dimensions	Width	183 mm (7-7/32")	
	Height	170 mm (6-11/16")	
	Depth	411 mm (16-3/16")	
Net Weight	Approx. 8.0 kg (17.6 lb)		

Dimensions

(Unit: mm)



English

Manufactured by:

Panasonic Connect Co., Ltd.
4-1-62 Minoshima, Hakata-ku, Fukuoka 812-8531,
Japan

Importer:

Panasonic Connect Europe GmbH
Hagenauer Strasse 43, 65203 Wiesbaden, Germany

Authorized Representative in EU:

Panasonic Connect Europe GmbH
Panasonic Testing Centre
Winsbergring 15, 22525 Hamburg, Germany

Importer for UK;

Panasonic Connect UK,
a branch of Panasonic Connect
Europe GmbH,
Maxis 2, Western Road, Bracknell,
Berkshire, RG12 1RT



Deutsch

Hergestellt von:

Panasonic Connect Co., Ltd.
4-1-62 Minoshima, Hakata-ku, Fukuoka 812-8531,
Japan

Importeur:

Panasonic Connect Europe GmbH
Hagenauer Strasse 43, 65203 Wiesbaden,
Deutschland

Vertretungsberechtigter in der EU:

Panasonic Connect Europe GmbH
Panasonic Testing Centre
Winsbergring 15, 22525 Hamburg, Deutschland

Français

Fabriqué par:

Panasonic Connect Co., Ltd.
4-1-62 Minoshima, Hakata-ku, Fukuoka 812-8531,
Japon

Importateur :

Panasonic Connect Europe GmbH
Hagenauer Strasse 43, 65203 Wiesbaden, Allemagne

Représentant autorisé dans l'UE :

Panasonic Connect Europe GmbH
Panasonic Testing Centre
Winsbergring 15, 22525 Hambourg, Allemagne

Italiano

Fabbricato da:

Panasonic Connect Co., Ltd.
4-1-62 Minoshima, Hakata-ku, Fukuoka 812-8531,
Giappone

Importatore:

Panasonic Connect Europe GmbH
Hagenauer Strasse 43, 65203 Wiesbaden, Germania

Rappresentante autorizzato nell'UE:

Panasonic Connect Europe GmbH
Panasonic Testing Centre
Winsbergring 15, 22525 Amburgo, Germania

Español

Fabricado por:

Panasonic Connect Co., Ltd.
4-1-62 Minoshima, Hakata-ku, Fukuoka 812-8531,
Japón

Importador:

Panasonic Connect Europe GmbH
Hagenauer Strasse 43, 65203 Wiesbaden, Alemania

Representante Autorizado para la UE:

Panasonic Connect Europe GmbH
Panasonic Testing Centre
Winsbergring 15, 22525 Hamburgo, Alemania

Български

Производител:

Panasonic Connect Co., Ltd.
4-1-62 Minoshima, Hakata-ku, Fukuoka 812-8531,
Япония

Вносител:

Panasonic Connect Europe GmbH
Hagenauer Strasse 43, 65203 Wiesbaden, Германия

Упълномощен представител в ЕС:

Panasonic Connect Europe GmbH
Panasonic Testing Centre
Winsbergring 15, 22525 Hamburg, Германия

Čeština

Vyrobil:

Panasonic Connect Co., Ltd.
4-1-62 Minoshima, Hakata-ku, Fukuoka 812-8531,
Japonsko

Dovozce:

Panasonic Connect Europe GmbH
Hagenauer Strasse 43, 65203 Wiesbaden, Německo

Oprávněný zástupce v EU:

Panasonic Connect Europe GmbH
Panasonic Testing Centre
Winsbergring 15, 22525 Hamburg, Německo

Dansk

Fremstillet af:

Panasonic Connect Co., Ltd.
4-1-62 Minoshima, Hakata-ku, Fukuoka 812-8531,
Japan

Importør:

Panasonic Connect Europe GmbH
Hagenauer Strasse 43, 65203 Wiesbaden, Tyskland

Autoriseret repræsentant i EU:

Panasonic Connect Europe GmbH
Panasonic Testing Centre
Winsbergring 15, 22525 Hamburg, Tyskland

Eesti

Tootja:

Panasonic Connect Co., Ltd.
4-1-62 Minoshima, Hakata-ku, Fukuoka 812-8531,
Jaapan

Maaletooja:

Panasonic Connect Europe GmbH
Hagenauer Strasse 43, 65203 Wiesbaden, Saksamaa

Volitatud esindaja ELis:

Panasonic Connect Europe GmbH
Panasonic Testing Centre
Winsbergring 15, 22525 Hamburg, Saksamaa

Ελληνικά

Κατασκευάστηκε από:

Panasonic Connect Co., Ltd.
4-1-62 Minoshima, Hakata-ku, Fukuoka 812-8531,
Ιαπωνία

Εισαγωγέας:

Panasonic Connect Europe GmbH
Hagenauer Strasse 43, 65203 Wiesbaden, Γερμανία

Εξουσιοδοτημένος αντιπρόσωπος στην ΕΕ:

Panasonic Connect Europe GmbH
Panasonic Testing Centre
Winsbergring 15, 22525 Hamburg, Γερμανία

Hrvatski

Proizvodi:

Panasonic Connect Co., Ltd.
4-1-62 Minoshima, Hakata-ku, Fukuoka 812-8531,
Japan

Uvoznik:

Panasonic Connect Europe GmbH
Hagenauer Strasse 43, 65203 Wiesbaden, Njemačka

Ovlašteni zastupnik u EU-u:

Panasonic Connect Europe GmbH
Panasonic Testing Centre
Winsbergring 15, 22525 Hamburg, Njemačka

Latviešu

Ražotājs:

Panasonic Connect Co., Ltd.
4-1-62 Minoshima, Hakata-ku, Fukuoka 812-8531,
Japāna

Importētājs:

Panasonic Connect Europe GmbH
Hagenauer Strasse 43, 65203 Wiesbaden, Vācija

Oficiālais pārstāvis ES:

Panasonic Connect Europe GmbH
Panasonic Testing Centre
Winsbergring 15, 22525 Hamburg, Vācija

Lietuvių

Gamintojas:

Panasonic Connect Co., Ltd.
4-1-62 Minoshima, Hakata-ku, Fukuoka 812-8531,
Japonija

Importuotojas:

Panasonic Connect Europe GmbH
Hagenauer Strasse 43, 65203 Wiesbaden, Vokietija

Igaliotasis atstovas ES:

Panasonic Connect Europe GmbH
Panasonic Testing Centre
Winsbergring 15, 22525 Hamburgas, Vokietija

Magyar

Gyártotta:

Panasonic Connect Co., Ltd.
4-1-62 Minoshima, Hakata-ku, Fukuoka 812-8531,
Japán

Importőr:

Panasonic Connect Europe GmbH
Hagenauer Strasse 43, 65203 Wiesbaden, Németország

Hivatalos képviselő az EU-ban:

Panasonic Connect Europe GmbH
Panasonic Testing Centre
Winsbergring 15, 22525 Hamburg, Németország

Nederlands

Geproduceerd door:

Panasonic Connect Co., Ltd.
4-1-62 Minoshima, Hakata-ku, Fukuoka 812-8531,
Japan

Importeur:

Panasonic Connect Europe GmbH
Hagenauer Strasse 43, 65203 Wiesbaden, Duitsland

Bevoegde vertegenwoordiger in de EU:

Panasonic Connect Europe GmbH
Panasonic Testing Centre
Winsbergring 15, 22525 Hamburg, Duitsland

Norsk

Produsert av:

Panasonic Connect Co., Ltd.
4-1-62 Minoshima, Hakata-ku, Fukuoka 812-8531,
Japan

Importør:

Panasonic Connect Europe GmbH
Hagenauer Strasse 43, 65203 Wiesbaden, Tyskland

Autorisert representant i EU:

Panasonic Connect Europe GmbH
Panasonic Testing Centre
Winsbergring 15, 22525 Hamburg, Tyskland

Polski

Wyprodukowano przez:

Panasonic Connect Co., Ltd.
4-1-62 Minoshima, Hakata-ku, Fukuoka 812-8531,
Japonia

Importer:

Panasonic Connect Europe GmbH
Hagenauer Strasse 43, 65203 Wiesbaden, Niemcy

Upoważniony przedstawiciel w UE:

Panasonic Connect Europe GmbH
Panasonic Testing Centre
Winsbergring 15, 22525 Hamburg, Niemcy

Português

Fabricado por:

Panasonic Connect Co., Ltd.
4-1-62 Minoshima, Hakata-ku, Fukuoka 812-8531,
Japão

Importador:

Panasonic Connect Europe GmbH
Hagenauer Strasse 43, 65203 Wiesbaden, Alemanha

Representante Autorizado na UE:

Panasonic Connect Europe GmbH
Panasonic Testing Centre
Winsbergring 15, 22525 Hamburg, Alemanha

Română

Fabricat de:

Panasonic Connect Co., Ltd.
4-1-62 Minoshima, Hakata-ku, Fukuoka 812-8531,
Japonia

Importator:

Panasonic Connect Europe GmbH
Hagenauer Strasse 43, 65203 Wiesbaden, Germania

Reprezentant autorizat în UE:

Panasonic Connect Europe GmbH
Panasonic Testing Centre
Winsbergring 15, 22525 Hamburg, Germania

Slovenčina

Výrobca:

Panasonic Connect Co., Ltd.
4-1-62 Minoshima, Hakata-ku, Fukuoka 812-8531,
Japonsko

Dovozca:

Panasonic Connect Europe GmbH
Hagenauer Strasse 43, 65203 Wiesbaden, Nemecko

Autorizovaný zástupca v EÚ:

Panasonic Connect Europe GmbH
Panasonic Testing Centre
Winsbergring 15, 22525 Hamburg, Nemecko

Slovenščina

Proizvajala:

Panasonic Connect Co., Ltd.
4-1-62 Minoshima, Hakata-ku, Fukuoka 812-8531,
Japonska

Uvoznik:

Panasonic Connect Europe GmbH
Hagenauer Strasse 43, 65203 Wiesbaden, Nemčija

Pooblaščen zastopnik v EU:

Panasonic Connect Europe GmbH
Panasonic Testing Centre
Winsbergring 15, 22525 Hamburg, Nemčija

Türkçe

Tarafından Üretilmiştir:

Panasonic Connect Co., Ltd.
4-1-62 Minoshima, Hakata-ku, Fukuoka 812-8531,
Japonya

İthalatçı:

Panasonic Connect Europe GmbH
Hagenauer Strasse 43, 65203 Wiesbaden, Almanya

AB Yetkili Temsilcisi:

Panasonic Connect Europe GmbH
Panasonic Testing Centre
Winsbergring 15, 22525 Hamburg, Almanya

Suomi

Valmistaja:

Panasonic Connect Co., Ltd.
4-1-62 Minoshima, Hakata-ku, Fukuoka 812-8531,
Japani

Maahantuojat:

Panasonic Connect Europe GmbH
Hagenauer Strasse 43, 65203 Wiesbaden, Saksa

Valtuutettu edustaja EU:ssa:

Panasonic Connect Europe GmbH
Panasonic Testing Centre
Winsbergring 15, 22525 Hampuri, Saksa

Svenska

Tillverkad av:

Panasonic Connect Co., Ltd.
4-1-62 Minoshima, Hakata-ku, Fukuoka 812-8531,
Japan

Importör:

Panasonic Connect Europe GmbH
Hagenauer Strasse 43, 65203 Wiesbaden, Tyskland

Auktoriserad representant i EU:

Panasonic Connect Europe GmbH
Panasonic Testing Centre
Winsbergring 15, 22525 Hamburg, Tyskland

Disposal of Old Equipment

Only for European Union and countries with recycling systems



This symbol on the products, packaging, and/or accompanying documents means that used electrical and electronic products must not be mixed with general household waste. For proper treatment, recovery and recycling of old products, please take them to applicable collection points in accordance with your national legislation.

By disposing of them correctly, you will help to save valuable resources and prevent any potential negative effects on human health and the environment.

For more information about collection and recycling, please contact your local authority.

Penalties may be applicable for incorrect disposal of this waste, in accordance with national legislation.

Product Information (for Turkey only)

AEEE Yönetmeliğine Uygundur.

Environment care information for users in China



This symbol is only valid in China.

Panasonic Connect Co., Ltd.

Web Site : <https://panasonic.net/cns/projector/>

© Panasonic Connect Co., Ltd. 2023

Panasonic Connect North America

Two Riverfront Plaza, Newark, NJ 07102

TEL: (877) 803 - 8492

Panasonic Canada Inc.

5770 Ambler Drive, Mississauga, Ontario L4W 2T3

TEL: (905) 624 - 5010

FJ0423JG1073 -PT

Printed in Japan

Appendix / Annexe / 付録

- Projected image size and Projection distance
- Taille de l'image projetée et Distance de projection
- 投写画面サイズと投写距離

(Unit / Unités / 単位 : m)

When the screen aspect ratio is 16:10

Lorsque le rapport d'aspect de l'écran est 16:10

アスペクト比 16:10

SD	SH	SW	PT-RQ32K / PT-RQ22K		PT-RQ35K / PT-RZ34K / PT-RZ31K / PT-RZ21K / PT-RZ16K		PT-RQ25K / PT-RZ24K / PT-RQ18K / PT-RZ17K / PT-RZ14K	
			LW	LT	LW	LT	LW	LT
1.78 (70")	0.942	1.508	1.23	1.50	1.15	1.40	1.38	1.68
2.03 (80")	1.077	1.723	1.41	1.71	1.31	1.60	1.58	1.92
2.29 (90")	1.212	1.939	1.59	1.93	1.48	1.80	1.79	2.17
2.54 (100")	1.346	2.154	1.77	2.15	1.65	2.00	1.98	2.41
3.05 (120")	1.615	2.585	2.13	2.58	1.98	2.41	2.39	2.90
3.81 (150")	2.019	3.231	2.66	3.23	2.49	3.02	2.99	3.63
5.08 (200")	2.692	4.308	3.56	4.32	3.32	4.03	4.00	4.85
6.35 (250")	3.365	5.385	4.46	5.41	4.16	5.04	5.00	6.06
7.62 (300")	4.039	6.462	5.36	6.49	5.00	6.05	6.01	7.28
8.89 (350")	4.712	7.539	6.25	7.58	5.83	7.07	7.01	8.50
10.16 (400")	5.385	8.616	7.15	8.66	6.67	8.08	8.02	9.72
12.70 (500")	6.731	10.77	8.95	10.84	8.35	10.11	10.03	12.15
15.24 (600")	8.077	12.923	10.74	13.01	10.02	12.13	12.04	14.58
17.78 (700")	9.423	15.077	12.54	15.18	11.70	14.16	14.05	17.02
20.32 (800")	10.770	17.231	14.33	17.35	13.37	16.18	16.06	19.45
22.86 (900")	12.116	19.385	16.13	19.52	15.05	18.21	18.08	21.89
25.40 (1000")	13.462	21.539	17.92	21.69	16.72	20.24	20.09	24.32

Appendix / Annexe / 付録 (continued / suite / つづき)

(Unit / Unités / 単位 : m)

When the screen aspect ratio is

16:9

Lorsque le rapport d'aspect de

l'écran est 16:9

アスペクト比 16:9

PT-RQ32K / PT-RQ22K			PT-RQ35K / PT-RZ34K / PT-RZ31K / PT-RZ21K / PT-RZ16K		PT-RQ25K / PT-RZ24K / PT-RQ18K / PT-RZ17K / PT-RZ14K		PT-RS30K / PT-RS20K			
Throw ratio / Rapport de projection / スローレシオ : [0.825 - 1.00:1]			Throw ratio / Rapport de projection / スローレシオ : [0.770 - 0.933:1]		Throw ratio / Rapport de projection / スローレシオ : [0.924 - 1.12:1]		Throw ratio / Rapport de projection / スローレシオ : [0.834 - 1.01:1]			
SD	SH	SW	LW	LT	LW	LT	LW	LT	LW	LT
1.78 (70")	0.872	1.550	1.27	1.54	1.18	1.44	1.42	1.73	1.28	1.56
2.03 (80")	0.996	1.771	1.45	1.76	1.35	1.64	1.63	1.98	1.46	1.78
2.29 (90")	1.121	1.992	1.64	1.99	1.52	1.85	1.84	2.23	1.65	2.01
2.54 (100")	1.245	2.214	1.82	2.21	1.69	2.06	2.04	2.48	1.84	2.23
3.05 (120")	1.494	2.657	2.19	2.66	2.04	2.48	2.46	2.98	2.21	2.69
3.81 (150")	1.868	3.321	2.74	3.33	2.55	3.10	3.07	3.73	2.77	3.36
5.08 (200")	2.491	4.428	3.66	4.44	3.42	4.14	4.11	4.98	3.70	4.49
6.35 (250")	3.113	5.535	4.58	5.56	4.28	5.18	5.14	6.23	4.63	5.62
7.62 (300")	3.736	6.641	5.51	6.67	5.14	6.22	6.17	7.48	5.56	6.74
8.89 (350")	4.358	7.748	6.43	7.79	6.00	7.26	7.21	8.74	6.50	7.87
10.16 (400")	4.981	8.855	7.35	8.91	6.86	8.31	8.24	9.99	7.43	9.00
12.70 (500")	6.226	11.069	9.20	11.14	8.58	10.39	10.31	12.49	9.29	11.25
15.24 (600")	7.472	13.283	11.04	13.37	10.30	12.47	12.38	14.99	11.16	13.51
17.78 (700")	8.717	15.497	12.89	15.60	12.02	14.55	14.44	17.49	13.02	15.77
20.32 (800")	9.962	17.710	14.73	17.83	13.74	16.63	16.51	20.00	14.88	18.02
22.86 (900")	11.207	19.924	16.58	20.07	15.47	18.72	18.58	22.50	16.75	20.28
25.40 (1000")	12.453	22.138	18.42	22.30	17.19	20.80	20.65	25.00	18.61	22.53

(Unit / Unités / 単位 : m)

When the screen aspect ratio is

4:3

Lorsque le rapport d'aspect de

l'écran est 4:3

アスペクト比 4:3

PT-RQ32K / PT-RQ22K			PT-RQ35K / PT-RZ34K / PT-RZ31K / PT-RZ21K / PT-RZ16K		PT-RQ25K / PT-RZ24K / PT-RQ18K / PT-RZ17K / PT-RZ14K		PT-RS30K / PT-RS20K			
Throw ratio / Rapport de projection / スローレシオ : [0.992 - 1.20:1]			Throw ratio / Rapport de projection / スローレシオ : [0.925 - 1.12:1]		Throw ratio / Rapport de projection / スローレシオ : [1.11 - 1.35:1]		Throw ratio / Rapport de projection / スローレシオ : [0.834 - 1.01:1]			
SD	SH	SW	LW	LT	LW	LT	LW	LT	LW	LT
1.78 (70")	1.067	1.422	1.40	1.70	1.30	1.58	1.57	1.91	1.17	1.43
2.03 (80")	1.219	1.626	1.60	1.94	1.49	1.81	1.79	2.18	1.34	1.63
2.29 (90")	1.372	1.829	1.80	2.19	1.68	2.04	2.03	2.46	1.52	1.84
2.54 (100")	1.524	2.032	2.00	2.44	1.87	2.27	2.25	2.73	1.68	2.05
3.05 (120")	1.829	2.438	2.41	2.93	2.25	2.73	2.71	3.29	2.03	2.46
3.81 (150")	2.286	3.048	3.02	3.66	2.82	3.42	3.39	4.11	2.54	3.08
5.08 (200")	3.048	4.064	4.04	4.89	3.77	4.56	4.53	5.49	3.39	4.12
6.35 (250")	3.810	5.080	5.05	6.12	4.71	5.71	5.67	6.87	4.25	5.15
7.62 (300")	4.572	6.096	6.07	7.35	5.66	6.86	6.80	8.25	5.10	6.19
8.89 (350")	5.334	7.112	7.08	8.58	6.61	8.00	7.94	9.62	5.96	7.22
10.16 (400")	6.096	8.128	8.10	9.81	7.56	9.15	9.08	11.00	6.82	8.26
12.70 (500")	7.620	10.160	10.13	12.27	9.45	11.44	11.36	13.76	8.53	10.33
15.24 (600")	9.144	12.192	12.16	14.73	11.35	13.74	13.64	16.51	10.24	12.40
17.78 (700")	10.668	14.224	14.20	17.19	13.25	16.03	15.91	19.27	11.95	14.47
20.32 (800")	12.192	16.256	16.23	19.64	15.14	18.32	18.19	22.03	13.66	16.54
22.86 (900")	13.716	18.288	18.26	22.10	17.04	20.62	20.47	24.78	15.37	18.61
25.40 (1000")	15.240	20.320	20.29	24.56	18.93	22.91	22.74	27.54	17.08	20.68

Note

- A ± 5 % error in listed projection distances may occur.
In addition, when [KEYSTONE] is used, distance is corrected to become smaller than the specified screen size.
- The throw ratio is based on the value during projection with the projected image size of 3.81 m (150").
- The periods used in the numbers in the tables are decimal points.

Remarque

- Une erreur de ± 5 % dans des distances de projection énumérées peut se produire.
En outre, lorsque [CORRECTION DE TRAPÈZE] est utilisé, la distance est corrigée pour devenir inférieure à la taille d'écran spécifiée.
- Le rapport de projection est basé sur la valeur en cours de projection avec une taille de l'image projetée de 3,81 m (150").
- Les points utilisés dans les nombres dans les tableaux sont des points décimaux.

お知らせ

- 記載の投写距離は $\pm 5\%$ 以下の範囲内で誤差が発生します。
また、[台形補正] 使用時は、所定の画面サイズよりも小さくなる方向で補正されます。
- スローレシオは、投写画面サイズ 150 型投写時の値を基準にしています。

Setting-up dimensions which are not given in the above table can be calculated using the formulas below. Check the projected image size SD (m) and use the following formula to determine projection distance (L).

La configuration des dimensions qui ne sont pas données dans le tableau ci-dessus peut être calculée à l'aide des formules suivantes. Vérifiez la taille de l'image projetée SD (m) et utilisez la formule suivante pour déterminer la distance de projection (L).

上記の表以外の投写寸法は次の計算式で求めることができます。画面対角サイズ SD (m) をご確認のうえ、それぞれの計算式で投写距離 (L) を求めてください。

Appendix / Annexe / 付録 (continued / suite / つづき)

- Projection distance formulas
- Formules de distance de projection
- 投写距離計算式

The dimensions of the following table contain a slight error.

Periods are used to represent decimal points in the calculation formulas in the following table.

Les dimensions du tableau suivant peuvent présenter un léger écart.

Les points sont utilisés pour indiquer les décimales dans les formules de calcul dans le tableau suivant.

次の表内の寸法は若干の誤差があります。

(Unit / Unités / 単位 : m)

		LW	LT
PT-RQ32K / PT-RQ22K	When the screen aspect ratio is 16:10 Lorsque le rapport d'aspect de l'écran est 16:10 アスペクト比 16:10 のとき	=0.7066 × SD - 0.0272	=0.8550 × SD - 0.0231
	When the screen aspect ratio is 16:9 Lorsque le rapport d'aspect de l'écran est 16:9 アスペクト比 16:9 のとき	=0.7263 × SD - 0.0272	=0.8788 × SD - 0.0231
	When the screen aspect ratio is 4:3 Lorsque le rapport d'aspect de l'écran est 4:3 アスペクト比 4:3 のとき	=0.8000 × SD - 0.0272	=0.9679 × SD - 0.0231
PT-RQ35K / PT-RZ34K / PT-RZ31K / PT-RZ21K / PT-RZ16K	When the screen aspect ratio is 16:10 Lorsque le rapport d'aspect de l'écran est 16:10 アスペクト比 16:10 のとき	=0.6594 × SD - 0.0272	=0.7976 × SD - 0.0231
	When the screen aspect ratio is 16:9 Lorsque le rapport d'aspect de l'écran est 16:9 アスペクト比 16:9 のとき	=0.6777 × SD - 0.0272	=0.8197 × SD - 0.0231
	When the screen aspect ratio is 4:3 Lorsque le rapport d'aspect de l'écran est 4:3 アスペクト比 4:3 のとき	=0.7465 × SD - 0.0272	=0.9029 × SD - 0.0231
PT-RQ25K / PT-RZ24K / PT-RQ18K / PT-RZ17K / PT-RZ14K	When the screen aspect ratio is 16:10 Lorsque le rapport d'aspect de l'écran est 16:10 アスペクト比 16:10 のとき	=0.7919 × SD - 0.0272	=0.9585 × SD - 0.0231
	When the screen aspect ratio is 16:9 Lorsque le rapport d'aspect de l'écran est 16:9 アスペクト比 16:9 のとき	=0.8139 × SD - 0.0272	=0.9852 × SD - 0.0231
	When the screen aspect ratio is 4:3 Lorsque le rapport d'aspect de l'écran est 4:3 アスペクト比 4:3 のとき	=0.8965 × SD - 0.0272	=1.0851 × SD - 0.0231
PT-RS30K / PT-RS20K	When the screen aspect ratio is 16:9 Lorsque le rapport d'aspect de l'écran est 16:9 アスペクト比 16:9 のとき	=0.7338 × SD - 0.0272	=0.8880 × SD - 0.0231
	When the screen aspect ratio is 4:3 Lorsque le rapport d'aspect de l'écran est 4:3 アスペクト比 4:3 のとき	=0.6735 × SD - 0.0272	=0.8151 × SD - 0.0231



Panasonic Connect Co., Ltd.

Web Site : <https://panasonic.net/cns/projector/>

Panasonic Connect North America

Two Riverfront Plaza, Newark, NJ 07102

TEL: (877) 803 - 8492

Panasonic Canada Inc.

5770 Ambler Drive, Mississauga, Ontario L4W 2T3

TEL: (905) 624 - 5010

パナソニック コネクト株式会社

〒 571-8503 大阪府門真市松葉町 2 番 15 号 電話 ☎ 0120-872-601