

Specifications

Main unit

Power supply		AC100 V–AC120 V/AC200 V–AC240 V, 50 Hz/60 Hz AC100 V–AC120 V, 50 Hz/60 Hz The maximum light output is limited to approximately 15,000 lm. Under the following circumstances, maximum light output may be reduced. • When a function board is inserted to the projector • When degradation of the light source or dust accumulation has occurred due to usage	
Power consumption ¹	Maximum power consumption		AC200V–AC240V: 1470 W (1520 VA) AC100V–AC120V: 1060 W (1090 VA)
	On-mode power consumption (By each operating mode)	[Normal]	1310 W
		[Eco]	1020 W
		[Quiet]	1010 W
Standby mode power consumption	[Normal]	12 W	
	[Eco]	0.4 W	
BTU value		Max 5,023 BTU	
DLP™ chip	Panel size		[0.8 in] diagonal (16:10 aspect ratio)
	Display method		DLP™ chip x 3, DLP™ projection system
	Number of pixels		2,304,000 pixels (1920 x 1200 dots) x 3
Refresh rate		120Hz Refresh rate varies depending on scanning frequency.	
Light source		Laser diode	
Light output ^{1,2}	Operation mode	[Normal]	20,000 lm/21,000 lm(Center) ³
		[Eco]	16,000 lm
		[Quiet]	16,000 lm
Time until light output declines to 50% ⁴	Operation mode	[Normal]	20,000 hours
		[Eco]	24,000 hours
		[Quiet]	20,000 hours
Resolution		WUXGA (1920 x 1200 dots)	
Contrast ratio ¹		25,000:1 (Full On/Full Off, Dynamic Contrast [3])	
Screen size (diagonal)		1.78–25.40 m [70–1000 in]	
		1.78–15.24 m [70–600 in]	ET-D3LET80/ET-D75LE8
		3.05–15.24 m [120–600 in]	ET-D75LE95
		5.08–15.24 m [200–600 in]	ET-D3LEW200/ET-D3LEU100
Center to corner zone ratio ¹		90%	
Lens		Optional (no lens included with this model)	
Lens shift (Optical axis center)	Vertical	<Vertical> (Max) ±66% (powered) <Vertical> (Max) ±52% (with ET-D75LE6) (powered) <Vertical> (Max) +93/+71% (with ET-D75LE95) (powered) <Vertical> (Max) ±66% (with ET-D3LEU100) (powered) <Vertical> (Max) ±57% (with ET-D3LEW200) (powered) <Vertical> (Max) ±52% (with ET-D3LEW300) (powered)	
	Horizontal	<Horizontal> (Max) ±24% (powered) <Horizontal> (Max) ±18% (with ET-D75LE6) (powered) <Horizontal> (Max) ±14% (with ET-D75LE95) (powered) <Horizontal> (Max) -25/+30% (with ET-D3LEU100) (powered) <Horizontal> (Max) ±18% (with ET-D3LEW200) (powered) <Horizontal> (Max) ±18% (with ET-D3LEW300) (powered)	
Installation		Ceiling/floor, front/rear, free 360-degree installation	
Compatible signal	HDMI	Video signal resolution: 480/60p, 576/50p to 4096 x 2160/60p Computer signal resolution: 640 x 480 to 3840 x 2400 (non-interlace) Dot clock frequency: 25 MHz to 594 MHz	
	DisplayPort	Video signal resolution: 720/50p to 4096 x 2160/60p Computer signal resolution: 640 x 480 to 3840 x 2400 (non-interlace) Dot clock frequency: 25 MHz to 594 MHz	
	SDI signal input ⁵	HD-SDI signal, 3G-SDI signal, 12G-SDI signal	
	SDI OPT signal input ⁶	HD-SDI signal, 3G-SDI signal, 12G-SDI signal	
	DIGITAL LINK ⁷	Video signal resolution: 480/60p, 576/50p to 4096 x 2160/60p Computer signal resolution: 640 x 480 to 3840 x 2400 (non-interlace) Dot clock frequency: 25 MHz to 297 MHz	
Terminals / SLOT	<HDMI 1 IN> <HDMI 2 IN>	HDMI x 2 Deep Color, compatible with HDCP 2.3	
	<DisplayPort IN>	DisplayPort x 1 Deep Color, compatible with HDCP 2.3	

Terminals / SLOT	<MULTI SYNC IN> / <3D SYNC 1 IN/OUT> (dual purpose)	BNC x 1 TTL high impedance When [3D SYNC MODE] is set to output, TTL output: Maximum 10 mA
	<MULTI SYNC OUT> / <3D SYNC 2 OUT> (dual purpose)	BNC x 1 TTL output: Maximum 10 mA
	<SERIAL IN>	D-sub 9-pin (female) x 1 for external control (RS-232C compliant)
	<SERIAL OUT>	D-sub 9-pin (male) x 1 for link control (RS-232C compliant)
	<REMOTE 1 IN>	M3 stereo mini-jack x 1 for wired remote control
	<REMOTE 1 OUT>	M3 stereo mini-jack x 1 for link control (for wired remote control)
	<REMOTE 2 IN>	D-sub 9-pin (female) x 1 for external control (parallel)
	<LAN>	RJ-45 x 1 for network connection, PLink™ [Class 2] compatible, 10Base-T/100Base-TX, Art-Net compatible
	<USB>	USB connector (Type A) x 1 for optional AJ-WM50 Series Wireless Module/USB memory stick
	<DC OUT>	USB connector (Type A) x 1 for power supply, DC 5 V, total of 2 A
<SLOT>	SLOT x 1 for function boards, Intel® SDM compatible	
Cabinet materials		Molded plastic
Dimension	Width	550 mm [21 5/8 in] (excluding protrusions)
	Height	269 mm [10 19/32 in] (with the feet at shortest position)
		220 mm [8 11/16 in] (excluding the feet and protrusions)
Depth	570 mm [22 7/16 in] (excluding protrusions)	
Weight ⁸		Approx. 35 kg (77.2 lbs) or less
Operating noise ¹	[Normal]	46 dB
	[Eco]	46 dB
	[Quiet]	43 dB
Laser Classification	Laser Class	Class 1 (IEC/EN 60825-1:2014)
	Risk Group	Risk Group 3 (IEC 62471-5:2015)
Operating environment	Operating temperature	0-45 °C (32-113 °F) ⁹
	Operating humidity	10-80 % (no condensation)
IP rating (dust protection) ¹⁰		IP5X (only the optical engine and light source module)

Remote control unit

Power supply	3 V DC (AA/R6 type battery x 2)
Operation range	Approx. 30 m [98 ft 5 in] when operated from directly in front of the signal receptor
Dimensions (W x H x D)	47.5 x 181.5 x 27.5 mm [1 7/8 x 7 5/32 x 1 3/32 in]
Weight ⁸	Approx. 150 g (5.3 oz) (including batteries)

Other Applications

Logo Transfer Software (for Windows)
Multi Monitoring & Control Software (for Windows)
Early Warning Software (for Windows)
Geometry Manager Pro (for Windows)
Smart Projector Control (for iOS/Android™)
Projector Network Setup Software (for Windows)

Supplied accessories

Power cord¹¹
Lens hole cover x 1
Wireless/wired remote control unit x 1
Batteries for remote control (AA/R6 type x 2)
Lens fixing screw x 1
SLOT Adapter x 1

Optional accessories

Lens	Zoom lens	ET-D3LEW10 (1.52–2.07:1)
		ET-D3LES20/ET-D75LE20 (2.00–2.90:1)
		ET-D3LET30 (2.88–5.61:1)
		ET-D3LET40 (5.54–8.90:1)
		ET-D3LEW60/ET-D75LE6 (1.12–1.32:1)
		ET-D3LET80/ET-D75LE8 (8.83–16.6:1)
		ET-D3LEW200 (0.779–1.02:1)
		ET-D3LEW300 (0.924–1.12:1)
		ET-D75LE10 (1.56–2.01:1)
		ET-D75LE30 (2.89–5.61:1)
	ET-D75LE40 (5.55–8.86:1)	
	Fixed-Focus Lens	ET-D3LEW50 (0.838:1)
		ET-D3LEU100 (0.447:1)
ET-D75LE95 (0.436:1)		
Fisheye Lens	ET-D3LEF70	
Stepping Motor Kit	ET-D75MKS10	
Lens Fixed Attachment	ET-PLF10/ET-PLF20	
Ceiling Mount Bracket	for high ceilings	ET-PKD520H
	for low ceilings	ET-PKD520S
Projector Mount Bracket	ET-PKD521B	
Function Board	12G-SDI Terminal Board	TY-SB01QS
	12G-SDI Optical Function Board	TY-SB01FB
	DIGITAL LINK Terminal Board	TY-SB01DL
	Wireless Presentation System Receiver Board	TY-SB01WP
DIGITAL LINK Switcher ¹²	ET-YFB200G	
Digital Interface Box ¹²	ET-YFB100G	
Wireless module	AJ-WM50 Series Note: Product availability may vary by country or region. The suffix at the end of the model number is omitted. Operating Temperature: 0–40 °C (32–104 °F).	
Early Warning Software	ET-SWA100 Series Note: Part number suffix may differ depending on the license type.	
NFC Upgrade Kit	ET-NUK10 Note: Product availability may vary by country or region.	
Wireless Presentation System PressIT	TY-WPS1	

Weights and dimensions shown are approximate. Specifications subject to change without notice.

1 Measurement, measuring conditions, and method of notation all comply with ISO/IEC 21118: 2020 international standards. Value is average of all products when shipped.

2 This is the value when the Zoom Lens (Model No.: ET-D3LES20) is used with power supply voltage of AC 100 V to AC 120 V or AC 200 V to AC 240 V. The value varies depending on the lens.

3 Average light-output value of all shipped products measured at center of screen in NORMAL Mode.

4 Around this time, light output will have decreased by approximately 50 %. IEC62087: 2008 Broadcast contents, Dynamic Contrast [3], under conditions with 35 °C (95 °F), 700 m (2,297 ft) above sea level, and 0.15 mg/m³ of particulate matter. Estimated time until light output decreases to 50 % will vary depending on environment.

5 This is supported when the optional 12G-SDI Terminal Board (Model No.: TY-SB01QS) is installed in the slot.

6 This is supported when the optional Function Board for 12G-SDI Optical Fiber (Model No.: TY-SB01FB) is installed in the slot.

7 This is supported when the optional DIGITAL LINK Terminal Board (Model No.: TY-SB01DL) is installed in the slot.

8 Average value. May differ depending on the actual unit.

9 The operating environment temperature should be between 0°C (32°F) and 40°C (104°F) if the projector is used at an altitude between 1400 m [4593 in] and 4200 m [13780 in] above sea level.

The operating environment temperature should be between 0 °C (32°F) and 40 °C (104°F) when the optional Wireless Module (Model No.: AJ-WM50 Series) is attached.

When the [PROJECTOR SETUP] menu → [OPERATION SETTING] → [OPERATING MODE] is set to [NORMAL] or [ECO], and the operating environment temperature exceeds the following value, the light output may be reduced to protect the projector.

• When using the projector at an altitude lower than 2700 m [8858 in] above sea level: 35°C (95°F)

• When using the projector at an altitude between 2700 m [8858 in] and 4200 m [13780 in] above sea level: 25 °C (77°F)

10 The measurement method and measurement conditions are based on IEC standard 60529 IP5X (dustproof type). The dustproof performance of this unit is not guaranteed to be free from damage or failure under all conditions (environment with conductive dust, etc.).

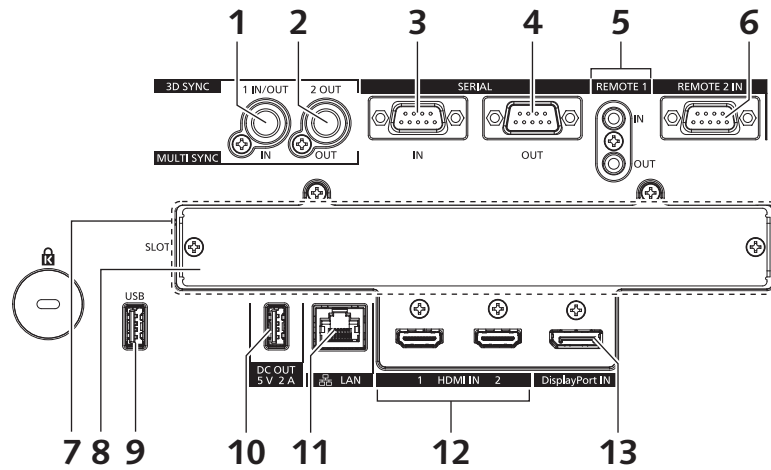
11 The type and number of the supplied power cords vary depending on the country or region where you purchased the product.

12 The DIGITAL LINK Switcher (Model No.: ET-YFB200G), and the Digital Interface Box (Model No.: ET-YFB100G) are supported when the optional DIGITAL LINK Terminal board (Model No.: TY-SB01DL) is installed in the slot.

Note

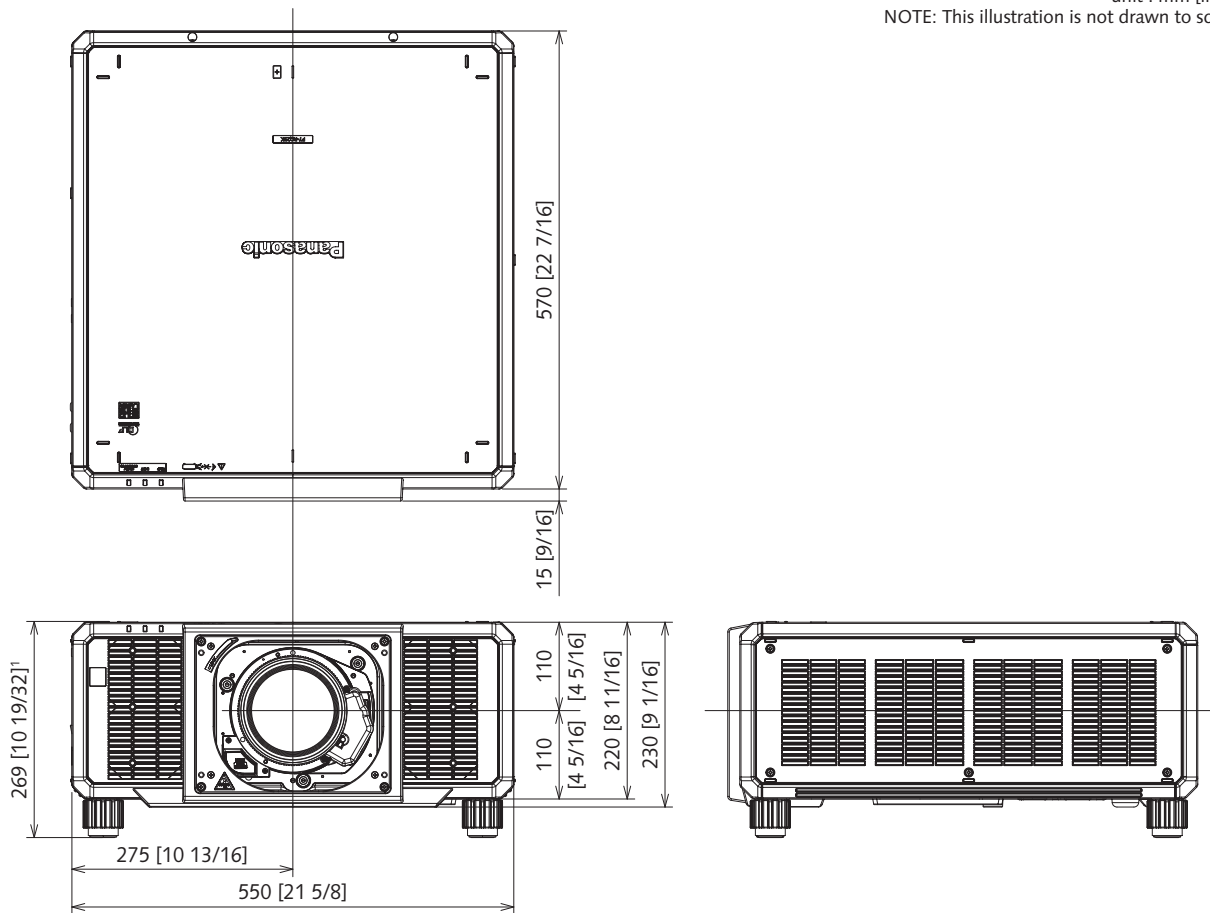
- The Fixed-focus Lens (Model No.: ET-D75LE50) (production discontinued) can also be used.

Terminals



1	<MULTI SYNC IN> / <3D SYNC 1 IN/OUT> (dual purpose)	8	Slot cover
2	<MULTI SYNC OUT> / <3D SYNC 2 OUT> (dual purpose)	9	USB
3	SERIAL IN	10	DC OUT
4	SERIAL OUT	11	LAN
5	REMOTE 1 IN / REMOTE 1 OUT	12	HDMI 1 IN / HDMI 2 IN
6	REMOTE 2 IN	13	DisplayPort IN
7	Slot (<SLOT>)		

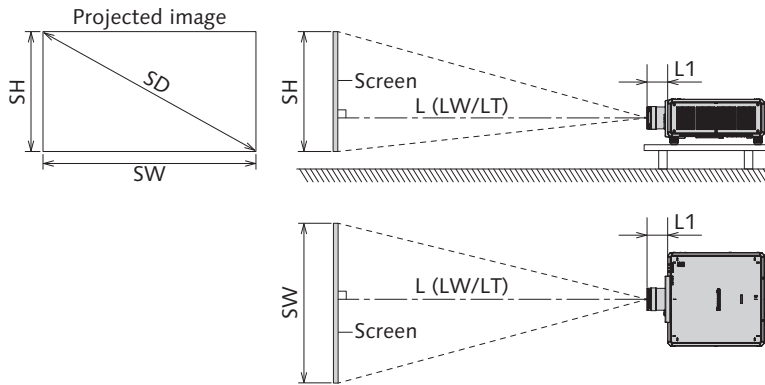
Dimensions



1 Including protrusions

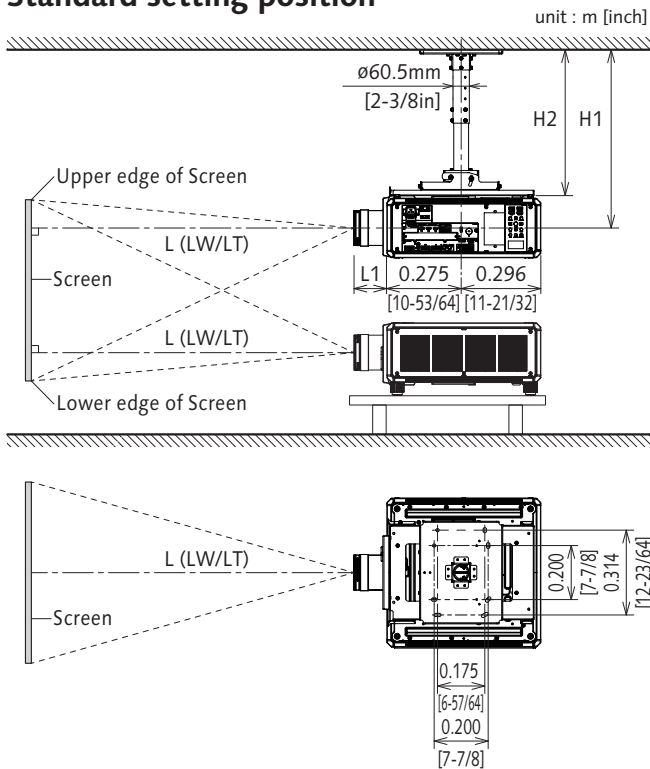
Projection relationship diagram

Install the projector referring to the projected image size, projection distance, etc. Image size and image position can be adjusted in accordance with the screen size and screen position. When the Zoom lens (Model No.: ET-D3LEW200) Fixed-focus Lens (Model No.: ET-D75LE95, ET-D3LEU100) or the Fisheye Lens (Model No.: ET-D3LEF70) is used, the projection relation between the screen and the projector differs from that of other lenses.



SH	Projected image height	
SW	Projected image width	
SD	Projected image size	
L	Projection distance	
	LW	Minimum projection distance when the Zoom Lens is used
	LT	Maximum projection distance when the Zoom Lens is used
L1	Distance from front of projector to edge of lens	

Standard setting position



unit : m		
H1	ET-PKD520H	0.540-0.660
	ET-PKD520S	0.226
H2	ET-PKD520H	0.420-0.540
	ET-PKD520S	0.106

Caution

- All construction work should be done by a qualified technician.
- When mounting to the ceiling, use the special mounting bracket. Furthermore, in order to prevent it from falling down from the ceiling, use the supplied wire on the mounting bracket.

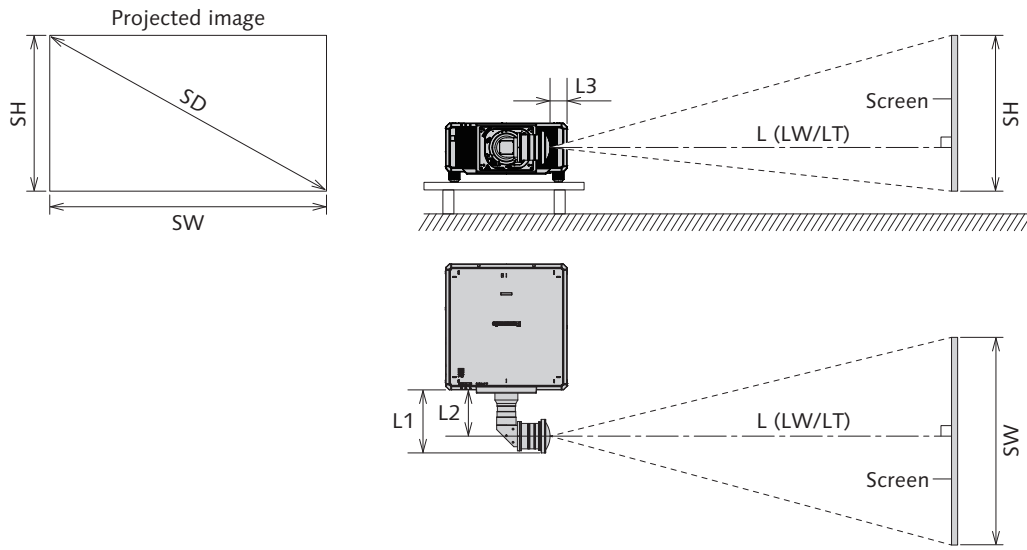
Note

- This illustration is prepared on the assumption that the projected image size and position have been aligned to fit full in the screen.
- This illustration is not drawn to scale.
- The values are approximate.

unit : m		
Projection lens Model No.	Lens protrusion dimensions (L1)	
ET-D3LEW10	0.211	
ET-D75LE10	0.126	
ET-D3LES20 ET-D75LE20	0.122	
ET-D3LET30	0.179	
ET-D75LE30	0.122	
ET-D3LET40	0.135	
ET-D75LE40	0.124	

unit : m		
Projection lens Model No.	Lens protrusion dimensions (L1)	
ET-D3LEW50 ET-D75LE50	0.204	
ET-D3LEW60 ET-D75LE6	0.213	
ET-D3LET80 ET-D75LE8	0.263	
ET-D3LEW300	0.272	

Projection relationship diagram (ET-D3LEU100, ET-D3LEW200)



Note

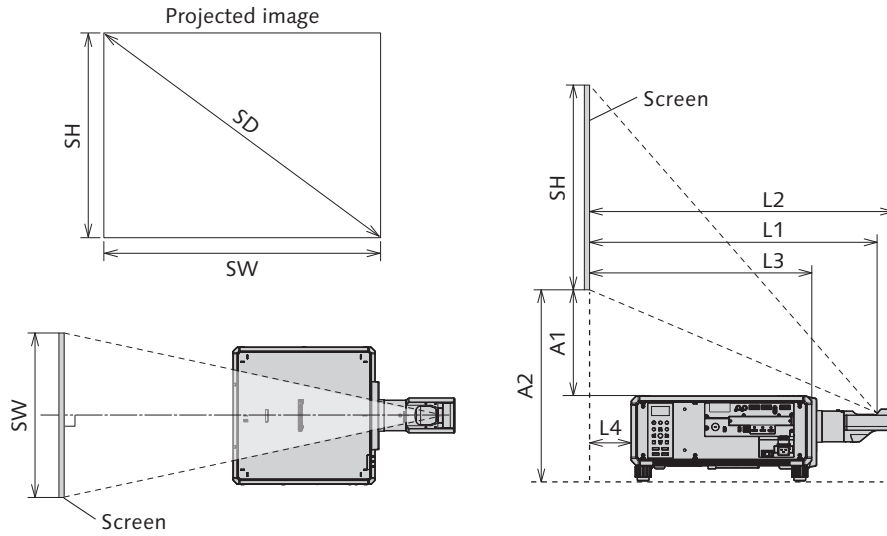
- This diagram assumes that the size and position of the projected image will be adjusted so that the image fits the entire screen.
- This illustration is not drawn to scale.
- The values are approximate.

SH	Projected image height	
SW	Projected image width	
SD	Projected image size	
L	Projection distance	
	LW	Minimum projection distance when the Zoom Lens is used
	LT	Maximum projection distance when the Zoom Lens is used
L1	Distance from front of projector to edge of lens	
L2	Distance from front of projector to center of lens	
L3	Distance from side of projector to center of lens	

unit : m

Projection lens Model No.	Lens protrusion dimension (L1)	Position of the lens optical axis (L2)	Position of the lens apex (L3)
ET-D3LEU100	0.286	0.210	0.077
ET-D3LEW200	0.352	0.255	0.102

Projection relationship diagram (ET-D75LE95)



Note

- This diagram assumes that the size and position of the projected image will be adjusted so that the image fits the entire screen.
- This illustration is not drawn to scale.
- The values are approximate.

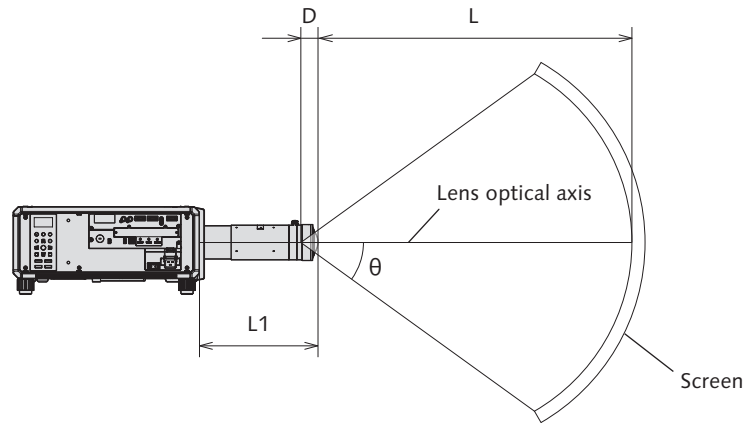
SH	Projected image height
SW	Projected image width
SD	Projected image size
L1	Projection distance (from the screen to the mirror reflection surface ¹)
L2	Distance between the projector and the screen (from the screen to the tip of the lens)
L3	Distance between the projector and the screen (from the screen to the front surface of the projector)
L4	Distance between the projector and the screen (from the screen to the rear surface of the projector)
A1	Distance between the projector and the screen (from the screen bottom edge to the projector top)
A2	Distance between the projector and the screen (from the screen bottom edge to the projector bottom)

¹ The mirror reflection surface cannot be seen from the outside, because it is located inside the Fixed-focus Lens.

unit : m

Distance from the projector to the screen	Formula
L2	= L1 + 0.029
L3	= L1 - 0.293
L4	= L1 - 0.863
A2	= A1 + 0.268

Projection relationship diagram (ET-D3LEF70)



Note

- This diagram assumes that the size and position of the projected image will be adjusted so that the image fits the entire screen.
- This illustration is not drawn to scale.
- The values are approximate.

L	Projection distance (From the front of the lens to the screen)
L1	Distance from front of projector to edge of lens
θ	Projected angle
D	Exit pupil position

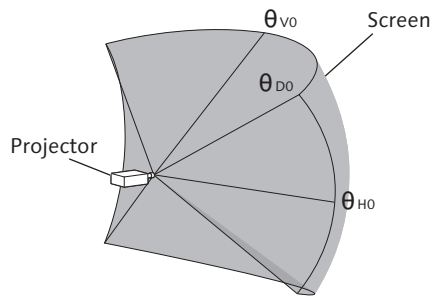
unit : m

Projection distance (L) range (m)	2 - ∞
L1 dimension	0.386
Exit pupil position (D) formula*	$= -10^{-9} \times \theta^3 - 3 \times 10^{-7} \times \theta^2 - 1.73 \times 10^{-5} \times \theta + 0.02342$

Projected angle (θ) (degrees)	Exit pupil position (D) (m)*
10	0.0232
20	0.0229
30	0.0224
40	0.0216
50	0.0206
60	0.0191
70	0.0173
80	0.0150
91.6 (Max)	0.0116

* There may be slight discrepancies in the exit pupil positions.

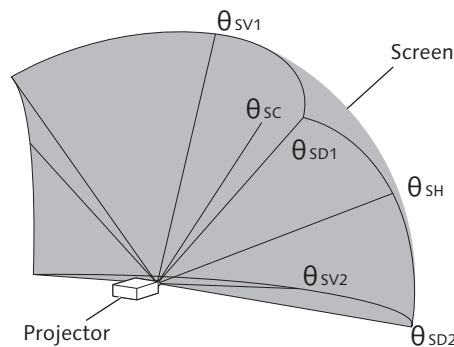
■ Maximum projection angle of view for optical lens center position



Unit: °

θ_{H0}	Maximum projection angle of view for projected image horizontal axis	54.7
θ_{V0}	Maximum projection angle of view for projected image vertical axis	34.3
θ_{D0}	Maximum projection angle of view for projected image diagonal axis	64.5

■ Maximum projection angle of view for when vertical lens shift is set to maximum



Unit: °

θ_{SC}	Projection angle of view for projected image center	22.0
θ_{SV1}	Maximum projection angle of view for projected image vertical axis (top side)	56.1
θ_{SV2}	Maximum projection angle of view for projected image vertical axis (bottom side)	12.4
θ_{SH}	Maximum projection angle of view for projected image horizontal axis	59.0
θ_{SD1}	Maximum projection angle of view for projected image diagonal line (top side)	78.4
θ_{SD2}	Maximum projection angle of view for projected image diagonal line (bottom side)	56.1

Note

- The value for each projection angle of view shown in the table is the angle between the lens optical axis and the line indicating each projection angle of view.

Projection distance

The value for L (distance to screen) varies slightly within $\pm 5\%$ depending on the zoom lens characteristics.

When vertical keystone correction is used, the image is corrected in the direction that reduces its projected size.

Screen aspect ratio 16:10

Unit: meters

Lens type			Zoom lens															
Projection lens Model No.			ET-D3LEW200 ²		ET-D3LEW300		ET-D3LEW60 ET-D75LE6		ET-D3LEW10		ET-D75LE10		ET-D3LES20 ET-D75LE20		ET-D3LET30		ET-D75LE30	
Throw ratio ¹			0.779-1.02:1		0.924-1.12:1		1.12-1.32:1		1.52-2.07:1		1.56-2.01:1		2.00-2.90:1		2.88-5.61:1		2.89-5.61:1	
Projection screen size			Projection distance (L)															
Diagonal (SD)	Height (SH)	Width (SW)	min. (LW)	max. (LT)	min. (LW)	max. (LT)	min. (LW)	max. (LT)	min. (LW)	max. (LT)	min. (LW)	max. (LT)	min. (LW)	max. (LT)	min. (LW)	max. (LT)	min. (LW)	max. (LT)
1.78 / 70	0.942	1.508	--	--	1.38	1.68	1.65	1.97	2.24	3.07	2.30	2.98	2.97	4.32	4.27	8.36	4.29	8.37
2.03 / 80	1.077	1.723	--	--	1.58	1.92	1.89	2.26	2.57	3.52	2.64	3.42	3.41	4.95	4.90	9.58	4.92	9.59
2.29 / 90	1.212	1.939	--	--	1.79	2.17	2.13	2.55	2.90	3.98	2.98	3.86	3.84	5.59	5.53	10.81	5.55	10.81
2.54 / 100	1.346	2.154	--	--	1.98	2.41	2.38	2.84	3.23	4.43	3.32	4.30	4.28	6.22	6.16	12.03	6.18	12.03
120 / 3.05	1.615	2.585	--	--	2.39	2.90	2.86	3.42	3.89	5.34	4.01	5.18	5.15	7.49	7.41	14.47	7.44	14.47
150 / 3.81	2.019	3.231	--	--	2.99	3.63	3.59	4.30	4.89	6.70	5.03	6.50	6.46	9.39	9.30	18.14	9.33	18.13
5.08 / 200	2.692	4.308	3.35	4.42	4.00	4.85	4.81	5.75	6.55	8.97	6.73	8.70	8.64	12.56	12.44	24.25	12.47	24.23
6.35 / 250	3.365	5.385	4.22	5.55	5.00	6.06	6.02	7.21	8.21	11.23	8.44	10.91	10.82	15.73	15.58	30.35	15.62	30.34
7.62 / 300	4.039	6.462	5.08	6.68	6.01	7.28	7.24	8.67	9.87	13.50	10.14	13.11	13.00	18.90	18.72	36.46	18.77	36.44
8.89 / 350	4.712	7.539	5.94	7.81	7.01	8.50	8.46	10.12	11.53	15.77	11.85	15.31	15.18	22.07	21.86	42.57	21.91	42.54
10.16 / 400	5.385	8.616	6.81	8.95	8.02	9.72	9.67	11.58	13.19	18.03	13.55	17.52	17.37	25.24	25.00	48.68	25.06	48.64
12.70 / 500	6.731	10.770	8.53	11.21	10.03	12.15	12.10	14.49	16.50	22.57	16.96	21.92	21.73	31.58	31.28	60.90	31.35	60.85
15.24 / 600	8.077	12.923	10.26	13.47	12.04	14.58	14.53	17.41	19.82	27.10	20.37	26.33	26.09	37.91	37.56	73.12	37.65	73.05
17.78 / 700	9.423	15.077	--	--	14.05	17.02	16.97	20.32	23.14	31.64	23.78	30.74	30.45	44.25	43.84	85.33	43.94	85.26
20.32 / 800	10.770	17.231	--	--	16.06	19.45	19.40	23.24	26.46	36.17	27.19	35.14	34.81	50.59	50.13	97.55	50.23	97.46
22.86 / 900	12.116	19.385	--	--	18.08	21.89	21.83	26.15	29.78	40.71	30.60	39.55	39.18	56.93	56.41	109.77	56.52	109.67
25.40 / 1000	13.462	21.539	--	--	20.09	24.32	24.26	29.06	33.09	45.24	34.01	43.96	43.54	63.27	62.69	121.99	62.82	121.87

Unit: meters

Lens type			Zoom lens						Fixed-Focus Lens					
Projection lens Model No.			ET-D3LET40		ET-D75LE40		ET-D3LET80 ET-D75LE8		ET-D3LEU100 ²		ET-D3LEW50 ET-D75LE50		ET-D75LE95 ²	
Throw ratio ¹			5.54-8.90:1		5.55-8.86:1		8.83-16.6:1		0.447:1		0.838:1		0.436:1	
Projection screen size			Projection distance (L)									Projection distance (L1)	Distance between the projector and the screen	
Diagonal (SD)	Height (SH)	Width (SW)	min. (LW)	max. (LT)	min. (LW)	max. (LT)	min. (LW)	max. (LT)	min. (LW)	max. (LT)	Fixed		Fixed	(L4)
1.78 / 70	0.942	1.508	8.26	13.33	8.28	13.29	13.10	24.90	--	--	1.22	--	--	--
2.03 / 80	1.077	1.723	9.47	15.26	9.48	15.21	15.02	28.51	--	--	1.41	--	--	--
2.29 / 90	1.212	1.939	10.67	17.19	10.69	17.13	16.95	32.12	--	--	1.59	--	--	--
2.54 / 100	1.346	2.154	11.87	19.12	11.89	19.05	18.88	35.73	--	--	1.78	--	--	--
120 / 3.05	1.615	2.585	14.28	22.98	14.30	22.89	22.73	42.95	--	--	2.15	1.13	0.27	0.24-0.59
150 / 3.81	2.019	3.231	17.89	28.77	17.92	28.65	28.51	53.77	--	--	2.70	1.41	0.54	0.32-0.76
5.08 / 200	2.692	4.308	23.91	38.42	23.94	38.26	38.14	71.82	1.92	3.63	1.87	1.01	1.01	0.47-1.05
6.35 / 250	3.365	5.385	29.93	48.07	29.97	47.87	47.77	89.86	2.42	4.56	2.33	1.47	1.47	0.61-1.34
7.62 / 300	4.039	6.462	35.95	57.72	35.99	57.47	57.40	107.91	2.92	5.48	2.79	1.93	1.93	0.76-1.63
8.89 / 350	4.712	7.539	41.97	67.38	42.02	67.08	67.03	125.95	3.42	6.41	3.25	2.39	2.39	0.90-1.92
10.16 / 400	5.385	8.616	47.99	77.03	48.04	76.68	76.66	143.99	3.91	7.33	3.72	2.85	2.85	1.04-2.21
12.70 / 500	6.731	10.770	60.03	96.33	60.09	95.89	95.92	180.08	4.91	9.18	4.64	3.78	3.78	1.33-2.79
15.24 / 600	8.077	12.923	72.08	115.63	72.14	115.10	115.18	216.17	5.90	11.03	5.56	4.70	4.70	1.62-3.36
17.78 / 700	9.423	15.077	84.12	134.94	84.19	134.31	134.44	--	--	--	12.88	--	--	--
20.32 / 800	10.770	17.231	96.16	154.24	96.24	153.52	153.70	--	--	--	14.73	--	--	--
22.86 / 900	12.116	19.385	108.20	173.54	108.29	172.73	172.97	--	--	--	16.58	--	--	--
25.40 / 1000	13.462	21.539	120.24	192.84	120.34	191.94	192.23	--	--	--	18.43	--	--	--

¹ The throw ratio is based on the value during projection with the projected image size of 150 in.

² When the Zoom Lens (Model No.: ET-D3LEW200), the Fixed-focus Lens (Model No.: ET-D3LEU100, ET-D75LE95), or the Fisheye Lens (Model No.: ET-D3LEF70) is used, the projection relation between the screen and the projector differs from that of other lenses. For details, refer to "ET-D3LEU100, ET-D3LEW200" (page 6), "ET-D75LE95" (page 7), or "ET-D3LEF70" (page 8-9).

Screen aspect ratio 16:10

Unit: feet

Lens type			Zoom lens															
Projection lens Model No.			ET-D3LEW200 ²		ET-D3LEW300		ET-D3LEW60 ET-D75LE6		ET-D3LEW10		ET-D75LE10		ET-D3LES20 ET-D75LE20		ET-D3LET30		ET-D75LE30	
Throw ratio ¹			0.779-1.02:1		0.924-1.12:1		1.12-1.32:1		1.52-2.07:1		1.56-2.01:1		2.00-2.90:1		2.88-5.61:1		2.89-5.61:1	
Projection screen size			Projection distance (L)															
Diagonal (SD)	Height (SH)	Width (SW)	min. (LW)	max. (LT)	min. (LW)	max. (LT)	min. (LW)	max. (LT)	min. (LW)	max. (LT)	min. (LW)	max. (LT)	min. (LW)	max. (LT)	min. (LW)	max. (LT)	min. (LW)	max. (LT)
1.78 / 70	0.942	1.508	-	-	4.53	5.51	5.41	6.46	7.35	10.07	7.55	9.78	9.74	14.17	14.01	27.43	14.07	27.46
2.03 / 80	1.077	1.723	-	-	5.18	6.30	6.20	7.41	8.43	11.55	8.66	11.22	11.19	16.24	16.08	31.43	16.14	31.46
2.29 / 90	1.212	1.939	-	-	5.87	7.12	6.99	8.37	9.51	13.06	9.78	12.66	12.60	18.34	18.14	35.47	18.21	35.47
2.54 / 100	1.346	2.154	-	-	6.50	7.91	7.81	9.32	10.60	14.53	10.89	14.11	14.04	20.41	20.21	39.47	20.28	39.47
120 / 3.05	1.615	2.585	-	-	7.84	9.51	9.38	11.22	12.76	17.52	13.16	16.99	16.90	24.57	24.31	47.47	24.41	47.47
150 / 3.81	2.019	3.231	-	-	9.81	11.91	11.78	14.11	16.04	21.98	16.50	21.33	21.19	30.81	30.51	59.51	30.61	59.48
5.08 / 200	2.692	4.308	10.99	14.50	13.12	15.91	15.78	18.86	21.49	29.43	22.08	28.54	28.35	41.21	40.81	79.56	40.91	79.49
6.35 / 250	3.365	5.385	13.84	18.21	16.40	19.88	19.75	23.65	26.94	36.84	27.69	35.79	35.50	51.61	51.11	99.57	51.25	99.54
7.62 / 300	4.039	6.462	16.67	21.92	19.72	23.89	23.75	28.44	32.38	44.29	33.27	43.01	42.65	62.01	61.42	119.62	61.58	119.55
8.89 / 350	4.712	7.539	19.49	25.62	23.00	27.89	27.76	33.20	37.83	51.74	38.88	50.23	49.80	72.41	71.72	139.66	71.88	139.57
10.16 / 400	5.385	8.616	22.34	29.36	26.31	31.89	31.73	37.99	43.27	59.15	44.45	57.48	56.99	82.81	82.02	159.71	82.22	159.58
12.70 / 500	6.731	10.770	27.99	36.78	32.91	39.86	39.70	47.54	54.13	74.05	55.64	71.92	71.29	103.61	102.62	199.80	102.85	199.64
15.24 / 600	8.077	12.923	33.66	44.19	39.50	47.84	47.67	57.12	65.03	88.91	66.83	86.38	85.60	124.38	123.23	239.89	123.52	239.66
17.78 / 700	9.423	15.077	-	-	46.10	55.84	55.68	66.67	75.92	103.80	78.02	100.85	99.90	145.18	143.83	279.95	144.16	279.72
20.32 / 800	10.770	17.231	-	-	52.69	63.81	63.65	76.25	86.81	118.67	89.20	115.29	114.20	165.98	164.47	320.04	164.79	319.75
22.86 / 900	12.116	19.385	-	-	59.32	71.82	71.62	85.79	97.70	133.56	100.39	129.76	128.54	186.78	185.07	360.13	185.43	359.81
25.40 / 1000	13.462	21.539	-	-	65.91	79.79	79.59	95.34	108.56	148.42	111.58	144.22	142.85	207.58	205.67	400.22	206.10	399.83

Unit: feet

Lens type			Zoom lens						Fixed-Focus Lens						
Projection lens Model No.			ET-D3LET40		ET-D75LE40		ET-D3LET80 ET-D75LE8		ET-D3LEU100 ²		ET-D3LEW50 ET-D75LE50		ET-D75LE95 ²		
Throw ratio ¹			5.54-8.90:1		5.55-8.86:1		8.83-16.6:1		0.447:1		0.838:1		0.436:1		
Projection screen size			Projection distance (L)								Projection distance (L1)		Distance between the projector and the screen		
Diagonal (SD)	Height (SH)	Width (SW)	min. (LW)	max. (LT)	min. (LW)	max. (LT)	min. (LW)	max. (LT)	min. (LW)	max. (LT)	Fixed	Fixed	(L1)	(L4)	(A1)
1.78 / 70	0.942	1.508	27.10	43.73	27.17	43.60	42.98	81.69	-	-	4.00	-	-	-	-
2.03 / 80	1.077	1.723	31.07	50.07	31.10	49.90	49.28	93.54	-	-	4.63	-	-	-	-
2.29 / 90	1.212	1.939	35.01	56.40	35.07	56.20	55.61	105.38	-	-	5.22	-	-	-	-
2.54 / 100	1.346	2.154	38.94	62.73	39.01	62.50	61.94	117.22	-	-	5.84	-	-	-	-
120 / 3.05	1.615	2.585	46.85	75.39	46.92	75.10	74.57	140.91	-	-	7.05	3.71	0.89	0.79-1.94	-
150 / 3.81	2.019	3.231	58.69	94.39	58.79	93.99	93.54	176.41	-	-	8.86	4.63	1.77	1.05-2.49	-
5.08 / 200	2.692	4.308	78.44	126.05	78.54	125.52	125.13	235.63	6.30	11.91	6.14	3.31	1.54-3.44	-	-
6.35 / 250	3.365	5.385	98.19	157.71	98.33	157.05	156.72	294.81	7.94	14.96	7.64	4.82	2.00-4.40	-	-
7.62 / 300	4.039	6.462	117.94	189.37	118.08	188.55	188.32	354.03	9.58	17.98	9.15	6.33	2.49-5.35	-	-
8.89 / 350	4.712	7.539	137.70	221.06	137.86	220.08	219.91	413.22	11.22	21.03	10.66	7.84	2.95-6.30	-	-
10.16 / 400	5.385	8.616	157.45	252.72	157.61	251.57	251.51	472.40	12.83	24.05	12.20	9.35	3.41-7.25	-	-
12.70 / 500	6.731	10.770	196.95	316.04	197.14	314.60	314.69	590.81	16.11	30.12	15.22	12.40	4.36-9.15	-	-
15.24 / 600	8.077	12.923	236.48	379.36	236.68	377.62	377.88	709.21	19.36	36.19	18.24	15.42	5.31-11.02	-	-
17.78 / 700	9.423	15.077	275.98	442.71	276.21	440.64	441.07	-	-	42.26	-	-	-	-	-
20.32 / 800	10.770	17.231	315.48	506.03	315.74	503.67	504.26	-	-	48.33	-	-	-	-	-
22.86 / 900	12.116	19.385	354.98	569.35	355.28	566.69	567.48	-	-	54.40	-	-	-	-	-
25.40 / 1000	13.462	21.539	394.48	632.67	394.81	629.72	630.67	-	-	60.47	-	-	-	-	-

1 The throw ratio is based on the value during projection with the projected image size of 150 in.

2 When the Zoom Lens (Model No.: ET-D3LEW200), the Fixed-focus Lens (Model No.: ET-D3LEU100, ET-D75LE95), or the Fisheye Lens (Model No.: ET-D3LEF70) is used, the projection relation between the screen and the projector differs from that of other lenses. For details, refer to "ET-D3LEU100, ET-D3LEW200" (page 6), "ET-D75LE95" (page 7), or "ET-D3LEF70" (page 8-9).

Screen aspect ratio 16:9

Unit: meters

Lens type			Zoom lens															
Projection lens Model No.			ET-D3LEW200 ²		ET-D3LEW300		ET-D3LEW60 ET-D75LE6		ET-D3LEW10		ET-D75LE10		ET-D3LES20 ET-D75LE20		ET-D3LET30		ET-D75LE30	
Throw ratio ¹			0.780-1.02:1		0.924-1.12:1		1.12-1.33:1		1.52-2.07:1		1.56-2.01:1		2.01-2.90:1		2.88-5.61:1		2.89-5.61:1	
Projection screen size			Projection distance (L)															
Diagonal (SD)	Height (SH)	Width (SW)	min. (LW)	max. (LT)	min. (LW)	max. (LT)	min. (LW)	max. (LT)	min. (LW)	max. (LT)	min. (LW)	max. (LT)	min. (LW)	max. (LT)	min. (LW)	max. (LT)	min. (LW)	max. (LT)
1.78 / 70	0.872	1.550	-	-	1.42	1.73	1.69	2.02	2.30	3.16	2.37	3.06	3.06	4.44	4.39	8.60	4.41	8.60
2.03 / 80	0.996	1.771	-	-	1.63	1.98	1.94	2.32	2.64	3.63	2.72	3.51	3.50	5.10	5.04	9.86	5.06	9.86
2.29 / 90	1.121	1.992	-	-	1.84	2.23	2.19	2.62	2.98	4.09	3.07	3.97	3.95	5.75	5.68	11.11	5.71	11.11
2.54 / 100	1.245	2.214	-	-	2.04	2.48	2.44	2.92	3.32	4.56	3.42	4.42	4.40	6.40	6.33	12.37	6.35	12.37
120 / 3.05	1.494	2.657	-	-	2.46	2.98	2.94	3.52	4.01	5.49	4.12	5.33	5.30	7.70	7.62	14.88	7.65	14.88
150 / 3.81	1.868	3.321	-	-	3.07	3.73	3.69	4.42	5.03	6.89	5.17	6.69	6.64	9.66	9.56	18.65	9.59	18.64
5.08 / 200	2.491	4.428	3.45	4.54	4.11	4.98	4.94	5.92	6.73	9.22	6.92	8.95	8.88	12.91	12.79	24.93	12.82	24.91
6.35 / 250	3.113	5.535	4.34	5.71	5.14	6.23	6.19	7.41	8.44	11.55	8.67	11.21	11.13	16.17	16.01	31.20	16.06	31.18
7.62 / 300	3.736	6.641	5.22	6.87	6.17	7.48	7.44	8.91	10.14	13.88	10.43	13.48	13.37	19.43	19.24	37.48	19.29	37.46
8.89 / 350	4.358	7.748	6.11	8.03	7.21	8.74	8.69	10.41	11.85	16.21	12.18	15.74	15.61	22.68	22.47	43.76	22.53	43.73
10.16 / 400	4.981	8.855	7.00	9.20	8.24	9.99	9.94	11.90	13.55	18.54	13.93	18.01	17.85	25.94	25.70	50.04	25.76	50.00
12.70 / 500	6.226	11.069	8.77	11.52	10.31	12.49	12.44	14.90	16.96	23.20	17.44	22.54	22.33	32.46	32.15	62.60	32.23	62.54
15.24 / 600	7.472	13.283	10.55	13.85	12.38	14.99	14.94	17.89	20.37	27.86	20.94	27.07	26.82	38.97	38.61	75.15	38.70	75.09
17.78 / 700	8.717	15.497	-	-	14.44	17.49	17.44	20.89	23.79	32.52	24.44	31.60	31.30	45.49	45.07	87.71	45.16	87.63
20.32 / 800	9.962	17.710	-	-	16.51	20.00	19.94	23.88	27.20	37.18	27.95	36.13	35.78	52.00	51.52	100.27	51.63	100.18
22.86 / 900	11.207	19.924	-	-	18.58	22.50	22.44	26.88	30.61	41.84	31.45	40.65	40.27	58.51	57.98	112.83	58.10	112.72
25.40 / 1000	12.453	22.138	-	-	20.65	25.00	24.94	29.87	34.02	46.50	34.96	45.18	44.75	65.03	64.44	125.38	64.57	125.26

Unit: meters

Lens type			Zoom lens						Fixed-Focus Lens					
Projection lens Model No.			ET-D3LET40		ET-D75LE40		ET-D3LET80 ET-D75LE8		ET-D3LEU100 ²		ET-D3LEW50 ET-D75LE50		ET-D75LE95 ²	
Throw ratio ¹			5.54-8.90:1		5.55-8.87:1		8.83-16.6:1		0.447:1		0.838:1		0.436:1	
Projection screen size			Projection distance (L)									Projection distance (L1)	Distance between the projector and the screen	
Diagonal (SD)	Height (SH)	Width (SW)	min. (LW)	max. (LT)	min. (LW)	max. (LT)	min. (LW)	max. (LT)	Fixed	Fixed	(L4)		(A1)	
1.78 / 70	0.872	1.550	8.50	13.70	8.51	13.66	13.47	25.60	-	1.26	-	-	-	
2.03 / 80	0.996	1.771	9.73	15.69	9.75	15.63	15.45	29.31	-	1.45	-	-	-	
2.29 / 90	1.121	1.992	10.97	17.67	10.99	17.61	17.43	33.02	-	1.64	-	-	-	
2.54 / 100	1.245	2.214	12.21	19.66	12.23	19.58	19.41	36.73	-	1.83	-	-	-	
120 / 3.05	1.494	2.657	14.68	23.62	14.70	23.53	23.37	44.15	-	2.21	1.16	0.30	0.33-0.69	
150 / 3.81	1.868	3.321	18.40	29.57	18.42	29.46	29.31	55.28	-	2.78	1.45	0.58	0.44-0.89	
5.08 / 200	2.491	4.428	24.58	39.49	24.61	39.33	39.21	73.82	1.98	3.73	1.92	1.06	0.62-1.22	
6.35 / 250	3.113	5.535	30.77	49.41	30.80	49.20	49.11	92.37	2.49	4.68	2.39	1.53	0.80-1.55	
7.62 / 300	3.736	6.641	36.96	59.33	37.00	59.07	59.00	110.92	3.00	5.63	2.87	2.01	0.99-1.89	
8.89 / 350	4.358	7.748	43.15	69.25	43.19	68.95	68.90	129.46	3.51	6.59	3.34	2.48	1.17-2.22	
10.16 / 400	4.981	8.855	49.33	79.17	49.38	78.82	78.80	148.01	4.02	7.54	3.82	2.96	1.35-2.55	
12.70 / 500	6.226	11.069	61.71	99.01	61.76	98.56	98.60	185.10	5.05	9.44	4.77	3.91	1.72-3.21	
15.24 / 600	7.472	13.283	74.08	118.85	74.15	118.31	118.40	222.19	6.07	11.34	5.72	4.86	2.08-3.88	
17.78 / 700	8.717	15.497	86.46	138.69	86.53	138.05	138.19	-	-	13.24	-	-	-	
20.32 / 800	9.962	17.710	98.83	158.53	98.92	157.80	157.99	-	-	15.15	-	-	-	
22.86 / 900	11.207	19.924	111.21	178.37	111.30	177.54	177.79	-	-	17.05	-	-	-	
25.40 / 1000	12.453	22.138	123.58	198.21	123.69	197.29	197.58	-	-	18.95	-	-	-	

1 The throw ratio is based on the value during projection with the projected image size of 150 in.

2 When the Zoom Lens (Model No.: ET-D3LEW200), the Fixed-focus Lens (Model No.: ET-D3LEU100, ET-D75LE95), or the Fisheye Lens (Model No.: ET-D3LEF70) is used, the projection relation between the screen and the projector differs from that of other lenses. For details, refer to "ET-D3LEU100, ET-D3LEW200" (page 6), "ET-D75LE95" (page 7), or "ET-D3LEF70" (page 8-9).

Screen aspect ratio 16:9

Unit: feet

Lens type			Zoom lens															
Projection lens Model No.			ET-D3LEW200 ²		ET-D3LEW300		ET-D3LEW60 ET-D75LE6		ET-D3LEW10		ET-D75LE10		ET-D3LES20 ET-D75LE20		ET-D3LET30		ET-D75LE30	
Throw ratio ¹			0.780-1.02:1		0.924-1.12:1		1.12-1.33:1		1.52-2.07:1		1.56-2.01:1		2.01-2.90:1		2.88-5.61:1		2.89-5.61:1	
Projection screen size			Projection distance (L)															
Diagonal (SD)	Height (SH)	Width (SW)	min. (LW)	max. (LT)	min. (LW)	max. (LT)	min. (LW)	max. (LT)	min. (LW)	max. (LT)	min. (LW)	max. (LT)	min. (LW)	max. (LT)	min. (LW)	max. (LT)	min. (LW)	max. (LT)
1.78 / 70	0.872	1.550	-	-	4.66	5.68	5.54	6.63	7.55	10.37	7.78	10.04	10.04	14.57	14.40	28.21	14.47	28.21
2.03 / 80	0.996	1.771	-	-	5.35	6.50	6.36	7.61	8.66	11.91	8.92	11.52	11.48	16.73	16.54	32.35	16.60	32.35
2.29 / 90	1.121	1.992	-	-	6.04	7.32	7.18	8.60	9.78	13.42	10.07	13.02	12.96	18.86	18.63	36.45	18.73	36.45
2.54 / 100	1.245	2.214	-	-	6.69	8.14	8.01	9.58	10.89	14.96	11.22	14.50	14.44	21.00	20.77	40.58	20.83	40.58
120 / 3.05	1.494	2.657	-	-	8.07	9.78	9.65	11.55	13.16	18.01	13.52	17.49	17.39	25.26	25.00	48.82	25.10	48.82
150 / 3.81	1.868	3.321	-	-	10.07	12.24	12.11	14.50	16.50	22.60	16.96	21.95	21.78	31.69	31.36	61.19	31.46	61.15
5.08 / 200	2.491	4.428	11.32	14.89	13.48	16.34	16.21	19.42	22.08	30.25	22.70	29.36	29.13	42.36	41.96	81.79	42.06	81.72
6.35 / 250	3.113	5.535	14.24	18.73	16.86	20.44	20.31	24.31	27.69	37.89	28.44	36.78	36.52	53.05	52.53	102.36	52.69	102.30
7.62 / 300	3.736	6.641	17.13	22.54	20.24	24.54	24.41	29.23	33.27	45.54	34.22	44.23	43.86	63.75	63.12	122.96	63.29	122.90
8.89 / 350	4.358	7.748	20.05	26.34	23.66	28.68	28.51	34.15	38.88	53.18	39.96	51.64	51.21	74.41	73.72	143.57	73.92	143.47
10.16 / 400	4.981	8.855	22.97	30.18	27.03	32.78	32.61	39.04	44.45	60.83	45.70	59.09	58.56	85.10	84.32	164.17	84.51	164.04
12.70 / 500	6.226	11.069	28.77	37.79	33.83	40.98	40.81	48.88	55.64	76.11	57.22	73.95	73.26	106.49	105.48	205.38	105.74	205.18
15.24 / 600	7.472	13.283	34.61	45.44	40.62	49.18	49.02	58.69	66.83	91.40	68.70	88.81	87.99	127.85	126.67	246.55	126.97	246.36
17.78 / 700	8.717	15.497	-	-	47.38	57.38	57.22	68.54	78.05	106.69	80.18	103.67	102.69	149.24	147.87	287.76	148.16	287.50
20.32 / 800	9.962	17.710	-	-	54.17	65.62	65.42	78.35	89.24	121.98	91.70	118.54	117.39	170.60	169.03	328.97	169.39	328.67
22.86 / 900	11.207	19.924	-	-	60.96	73.82	73.62	88.19	100.43	137.27	103.18	133.36	132.12	191.96	190.22	370.17	190.61	369.81
25.40 / 1000	12.453	22.138	-	-	67.75	82.02	81.82	98.00	111.61	152.56	114.70	148.23	146.82	213.35	211.41	411.35	211.84	410.95

Unit: feet

Lens type			Zoom lens						Fixed-Focus Lens						
Projection lens Model No.			ET-D3LET40		ET-D75LE40		ET-D3LET80 ET-D75LE8		ET-D3LEU100 ²		ET-D3LEW50 ET-D75LE50		ET-D75LE95 ²		
Throw ratio ¹			5.54-8.90:1		5.55-8.87:1		8.83-16.6:1		0.447:1		0.838:1		0.436:1		
Projection screen size			Projection distance (L)										Projection distance (L1)	Distance between the projector and the screen	
Diagonal (SD)	Height (SH)	Width (SW)	min. (LW)	max. (LT)	min. (LW)	max. (LT)	min. (LW)	max. (LT)	Fixed	Fixed	(L4)	(A1)			
1.78 / 70	0.872	1.550	27.89	44.95	27.92	44.82	44.19	83.99	-	4.13	-	-	-		
2.03 / 80	0.996	1.771	31.92	51.48	31.99	51.28	50.69	96.16	-	4.76	-	-	-		
2.29 / 90	1.121	1.992	35.99	57.97	36.06	57.77	57.18	108.33	-	5.38	-	-	-		
2.54 / 100	1.245	2.214	40.06	64.50	40.12	64.24	63.68	120.50	-	6.00	-	-	-		
120 / 3.05	1.494	2.657	48.16	77.49	48.23	77.20	76.67	144.85	-	7.25	3.81	0.98	1.08-2.26		
150 / 3.81	1.868	3.321	60.37	97.01	60.43	96.65	96.16	181.36	-	9.12	4.76	1.90	1.44-2.92		
5.08 / 200	2.491	4.428	80.64	129.56	80.74	129.03	128.64	242.19	6.50	12.24	6.30	3.48	2.03-4.00		
6.35 / 250	3.113	5.535	100.95	162.10	101.05	161.42	161.12	303.05	8.17	15.35	7.84	5.02	2.62-5.09		
7.62 / 300	3.736	6.641	121.26	194.65	121.39	193.80	193.57	363.91	9.84	18.47	9.42	6.59	3.25-6.20		
8.89 / 350	4.358	7.748	141.57	227.20	141.70	226.21	226.05	424.73	11.52	21.62	10.96	8.14	3.84-7.28		
10.16 / 400	4.981	8.855	161.84	259.74	162.01	258.59	258.53	485.59	13.19	24.74	12.53	9.71	4.43-8.37		
12.70 / 500	6.226	11.069	202.46	324.83	202.62	323.36	323.49	607.28	16.57	30.97	15.65	12.83	5.64-10.53		
15.24 / 600	7.472	13.283	243.04	389.92	243.27	388.15	388.45	728.96	19.91	37.20	18.77	15.94	6.82-12.73		
17.78 / 700	8.717	15.497	283.66	455.01	283.89	452.91	453.37	-	-	43.44	-	-	-		
20.32 / 800	9.962	17.710	324.24	520.11	324.54	517.71	518.33	-	-	49.70	-	-	-		
22.86 / 900	11.207	19.924	364.86	585.20	365.15	582.47	583.29	-	-	55.94	-	-	-		
25.40 / 1000	12.453	22.138	405.44	650.29	405.80	647.27	648.22	-	-	62.17	-	-	-		

1 The throw ratio is based on the value during projection with the projected image size of 150 in.

2 When the Zoom Lens (Model No.: ET-D3LEW200), the Fixed-focus Lens (Model No.: ET-D3LEU100, ET-D75LE95), or the Fisheye Lens (Model No.: ET-D3LEF70) is used, the projection relation between the screen and the projector differs from that of other lenses. For details, refer to "ET-D3LEU100, ET-D3LEW200" (page 6), "ET-D75LE95" (page 7), or "ET-D3LEF70" (page 8-9).

Screen aspect ratio 4:3

Unit: meters

Lens type			Zoom lens															
Projection lens Model No.			ET-D3LEW200 ²		ET-D3LEW300		ET-D3LEW60 ET-D75LE6		ET-D3LEW10		ET-D75LE10		ET-D3LES20 ET-D75LE20		ET-D3LET30		ET-D75LE30	
Throw ratio ¹			0.938-1.23:1		1.11-1.35:1		1.34-1.59:1		1.83-2.49:1		1.88-2.41:1		2.41-3.49:1		3.46-6.74:1		3.47-6.74:1	
Projection screen size			Projection distance (L)															
Diagonal (SD)	Height (SH)	Width (SW)	min. (LW)	max. (LT)	min. (LW)	max. (LT)	min. (LW)	max. (LT)	min. (LW)	max. (LT)	min. (LW)	max. (LT)	min. (LW)	max. (LT)	min. (LW)	max. (LT)	min. (LW)	max. (LT)
1.78 / 70	1.067	1.422	-	-	1.57	1.91	1.87	2.24	2.54	3.49	2.62	3.38	3.37	4.91	4.85	9.49	4.87	9.50
2.03 / 80	1.219	1.626	-	-	1.79	2.18	2.15	2.57	2.92	4.00	3.00	3.88	3.87	5.62	5.56	10.88	5.59	10.88
2.29 / 90	1.372	1.829	-	-	2.03	2.46	2.42	2.89	3.29	4.52	3.39	4.38	4.36	6.34	6.27	12.26	6.30	12.26
2.54 / 100	1.524	2.032	-	-	2.25	2.73	2.70	3.22	3.67	5.03	3.77	4.88	4.86	7.06	6.99	13.64	7.01	13.64
120 / 3.05	1.829	2.438	-	-	2.71	3.29	3.25	3.88	4.42	6.06	4.55	5.88	5.84	8.49	8.41	16.41	8.44	16.40
150 / 3.81	2.286	3.048	-	-	3.39	4.11	4.07	4.87	5.55	7.60	5.70	7.37	7.32	10.65	10.54	20.56	10.57	20.55
5.08 / 200	3.048	4.064	3.81	5.02	4.53	5.49	5.45	6.52	7.43	10.16	7.63	9.87	9.79	14.23	14.10	27.47	14.14	27.46
6.35 / 250	3.810	5.080	4.79	6.30	5.67	6.87	6.83	8.17	9.30	12.73	9.56	12.36	12.26	17.82	17.65	34.39	17.70	34.36
7.62 / 300	4.572	6.096	5.76	7.58	6.80	8.25	8.20	9.82	11.18	15.30	11.49	14.86	14.73	21.41	21.21	41.30	21.26	41.27
8.89 / 350	5.334	7.112	6.74	8.86	7.94	9.62	9.58	11.47	13.06	17.86	13.42	17.35	17.20	25.00	24.76	48.22	24.82	48.18
10.16 / 400	6.096	8.128	7.72	10.14	9.08	11.00	10.96	13.12	14.94	20.43	15.35	19.85	19.67	28.59	28.32	55.14	28.38	55.09
12.70 / 500	7.620	10.160	9.67	12.70	11.36	13.76	13.71	16.42	18.69	25.56	19.21	24.83	24.61	35.76	35.43	68.97	35.51	68.91
15.24 / 600	9.144	12.192	11.63	15.27	13.64	16.51	16.46	19.72	22.45	30.70	23.07	29.82	29.55	42.94	42.54	82.80	42.63	82.72
17.78 / 700	10.668	14.224	-	-	15.91	19.27	19.22	23.02	26.21	35.83	26.93	34.81	34.48	50.11	49.65	96.63	49.76	96.54
20.32 / 800	12.192	16.256	-	-	18.19	22.03	21.97	26.31	29.96	40.96	30.79	39.80	39.42	57.29	56.76	110.46	56.88	110.36
22.86 / 900	13.716	18.288	-	-	20.47	24.78	24.72	29.61	33.72	46.10	34.65	44.79	44.36	64.46	63.87	124.29	64.01	124.17
25.40 / 1000	15.240	20.320	-	-	22.74	27.54	27.47	32.91	37.48	51.23	38.51	49.78	49.30	71.64	70.99	138.12	71.13	137.99

Unit: meters

Lens type			Zoom lens						Fixed-Focus Lens					
Projection lens Model No.			ET-D3LET40		ET-D75LE40		ET-D3LET80 ET-D75LE8		ET-D3LEU100 ²		ET-D3LEW50 ET-D75LE50		ET-D75LE95 ²	
Throw ratio ¹			6.66-10.6:1		6.67-10.6:1		10.7-19.9:1		0.538:1		1.01:1		0.522:1	
Projection screen size			Projection distance (L)									Projection distance (L1)	Distance between the projector and the screen	
Diagonal (SD)	Height (SH)	Width (SW)	min. (LW)	max. (LT)	min. (LW)	max. (LT)	min. (LW)	max. (LT)	Fixed	Fixed	(L4)		(A1)	
1.78 / 70	1.067	1.422	9.37	15.11	9.39	15.06	14.88	28.24	-	1.40	-	-	-	
2.03 / 80	1.219	1.626	10.74	17.30	10.76	17.24	17.06	32.32	-	1.60	-	-	-	
2.29 / 90	1.372	1.829	12.10	19.48	12.12	19.41	19.24	36.41	-	1.81	-	-	-	
2.54 / 100	1.524	2.032	13.46	21.67	13.48	21.59	21.42	40.50	-	2.02	-	-	-	
120 / 3.05	1.829	2.438	16.19	26.04	16.21	25.94	25.78	48.67	-	2.44	1.28	0.41	0.28-0.68	
150 / 3.81	2.286	3.048	20.28	32.59	20.30	32.46	32.32	60.92	-	3.07	1.59	0.73	0.38-0.88	
5.08 / 200	3.048	4.064	27.09	43.52	27.12	43.33	43.22	81.35	2.19	4.12	2.11	1.25	0.54-1.20	
6.35 / 250	3.810	5.080	33.91	54.45	33.94	54.21	54.13	101.78	2.75	5.17	2.64	1.77	0.71-1.53	
7.62 / 300	4.572	6.096	40.72	65.37	40.76	65.08	65.03	122.21	3.31	6.21	3.16	2.30	0.87-1.86	
8.89 / 350	5.334	7.112	47.54	76.30	47.59	75.96	75.93	142.63	3.88	7.26	3.68	2.82	1.03-2.19	
10.16 / 400	6.096	8.128	54.36	87.23	54.41	86.83	86.84	163.06	4.44	8.31	4.20	3.34	1.20-2.51	
12.70 / 500	7.620	10.160	67.99	109.08	68.05	108.58	108.64	203.91	5.56	10.40	5.25	4.39	1.52-3.17	
15.24 / 600	9.144	12.192	81.62	130.93	81.69	130.33	130.45	244.77	6.69	12.50	6.30	5.43	1.85-3.82	
17.78 / 700	10.668	14.224	95.25	152.78	95.33	152.07	152.25	-	-	14.59	-	-	-	
20.32 / 800	12.192	16.256	108.88	174.63	108.97	173.82	174.06	-	-	16.69	-	-	-	
22.86 / 900	13.716	18.288	122.51	196.49	122.61	195.57	195.86	-	-	18.78	-	-	-	
25.40 / 1000	15.240	20.320	136.14	218.34	136.25	217.32	217.67	-	-	20.88	-	-	-	

1 The throw ratio is based on the value during projection with the projected image size of 150 in.

2 When the Zoom Lens (Model No.: ET-D3LEW200), the Fixed-focus Lens (Model No.: ET-D3LEU100, ET-D75LE95), or the Fisheye Lens (Model No.: ET-D3LEF70) is used, the projection relation between the screen and the projector differs from that of other lenses. For details, refer to "ET-D3LEU100, ET-D3LEW200" (page 6), "ET-D75LE95" (page 7), or "ET-D3LEF70" (page 8-9).

Screen aspect ratio 4:3

Unit: feet

Lens type			Zoom lens															
Projection lens Model No.			ET-D3LEW200 ²		ET-D3LEW300		ET-D3LEW60 ET-D75LE6		ET-D3LEW10		ET-D75LE10		ET-D3LES20 ET-D75LE20		ET-D3LET30		ET-D75LE30	
Throw ratio ¹			0.938-1.23:1		1.11-1.35:1		1.34-1.59:1		1.83-2.49:1		1.88-2.41:1		2.41-3.49:1		3.46-6.74:1		3.47-6.74:1	
Projection screen size			Projection distance (L)															
Diagonal (SD)	Height (SH)	Width (SW)	min. (LW)	max. (LT)	min. (LW)	max. (LT)	min. (LW)	max. (LT)	min. (LW)	max. (LT)	min. (LW)	max. (LT)	min. (LW)	max. (LT)	min. (LW)	max. (LT)	min. (LW)	max. (LT)
1.78 / 70	1.067	1.422	-	-	5.15	6.27	6.14	7.35	8.33	11.45	8.60	11.09	11.06	16.11	15.91	31.13	15.98	31.17
2.03 / 80	1.219	1.626	-	-	5.87	7.15	7.05	8.43	9.58	13.12	9.84	12.73	12.70	18.44	18.24	35.70	18.34	35.70
2.29 / 90	1.372	1.829	-	-	6.66	8.07	7.94	9.48	10.79	14.83	11.12	14.37	14.30	20.80	20.57	40.22	20.67	40.22
2.54 / 100	1.524	2.032	-	-	7.38	8.96	8.86	10.56	12.04	16.50	12.37	16.01	15.94	23.16	22.93	44.75	23.00	44.75
120 / 3.05	1.829	2.438	-	-	8.89	10.79	10.66	12.73	14.50	19.88	14.93	19.29	19.16	27.85	27.59	53.84	27.69	53.81
150 / 3.81	2.286	3.048	-	-	11.12	13.48	13.35	15.98	18.21	24.93	18.70	24.18	24.02	34.94	34.58	67.45	34.68	67.42
5.08 / 200	3.048	4.064	12.50	16.47	14.86	18.01	17.88	21.39	24.38	33.33	25.03	32.38	32.12	46.69	46.26	90.12	46.39	90.09
6.35 / 250	3.810	5.080	15.72	20.67	18.60	22.54	22.41	26.80	30.51	41.76	31.36	40.55	40.22	58.46	57.91	112.83	58.07	112.73
7.62 / 300	4.572	6.096	18.90	24.87	22.31	27.07	26.90	32.22	36.68	50.20	37.70	48.75	48.33	70.24	69.59	135.50	69.75	135.40
8.89 / 350	5.334	7.112	22.11	29.07	26.05	31.56	31.43	37.63	42.85	58.60	44.03	56.92	56.43	82.02	81.23	158.20	81.43	158.07
10.16 / 400	6.096	8.128	25.33	33.27	29.79	36.09	35.96	43.04	49.02	67.03	50.36	65.12	64.53	93.80	92.91	180.90	93.11	180.74
12.70 / 500	7.620	10.160	31.73	41.67	37.27	45.14	44.98	53.87	61.32	83.86	63.02	81.46	80.74	117.32	116.24	226.28	116.50	226.08
15.24 / 600	9.144	12.192	38.16	50.10	44.75	54.17	54.00	64.70	73.65	100.72	75.69	97.83	96.95	140.88	139.57	271.65	139.86	271.39
17.78 / 700	10.668	14.224	-	-	52.20	63.22	63.06	75.52	85.99	117.55	88.35	114.20	113.12	164.40	162.89	317.02	163.25	316.73
20.32 / 800	12.192	16.256	-	-	59.68	72.28	72.08	86.32	98.29	134.38	101.02	130.58	129.33	187.96	186.22	362.40	186.61	362.07
22.86 / 900	13.716	18.288	-	-	67.16	81.30	81.10	97.14	110.63	151.24	113.68	146.95	145.54	211.48	209.54	407.77	210.00	407.38
25.40 / 1000	15.240	20.320	-	-	74.61	90.35	90.12	107.97	122.96	168.08	126.34	163.32	161.74	235.04	232.90	453.14	233.36	452.72

Unit: feet

Lens type			Zoom lens						Fixed-Focus Lens					
Projection lens Model No.			ET-D3LET40		ET-D75LE40		ET-D3LET80 ET-D75LE8		ET-D3LEU100 ²		ET-D3LEW50 ET-D75LE50		ET-D75LE95 ²	
Throw ratio ¹			6.66-10.6:1		6.67-10.6:1		10.7-19.9:1		0.538:1		1.01:1		0.522:1	
Projection screen size			Projection distance (L)									Projection distance (L1)	Distance between the projector and the screen	
Diagonal (SD)	Height (SH)	Width (SW)	min. (LW)	max. (LT)	min. (LW)	max. (LT)	min. (LW)	max. (LT)	Fixed	Fixed	(L4)		(A1)	
1.78 / 70	1.067	1.422	30.74	49.57	30.81	49.41	48.82	92.65	-	4.59	-	-	-	
2.03 / 80	1.219	1.626	35.24	56.76	35.30	56.56	55.97	106.04	-	5.25	-	-	-	
2.29 / 90	1.372	1.829	39.70	63.91	39.76	63.68	63.12	119.45	-	5.94	-	-	-	
2.54 / 100	1.524	2.032	44.16	71.09	44.23	70.83	70.27	132.87	-	6.63	-	-	-	
120 / 3.05	1.829	2.438	53.12	85.43	53.18	85.10	84.58	159.68	-	8.01	4.20	1.35	0.92-2.23	
150 / 3.81	2.286	3.048	66.53	106.92	66.60	106.49	106.04	199.87	-	10.07	5.22	2.39	1.25-2.89	
5.08 / 200	3.048	4.064	88.88	142.78	88.98	142.16	141.80	266.89	7.18	13.52	6.92	4.10	1.77-3.94	
6.35 / 250	3.810	5.080	111.25	178.64	111.35	177.85	177.59	333.92	9.02	16.96	8.66	5.81	2.33-5.02	
7.62 / 300	4.572	6.096	133.59	214.47	133.73	213.51	213.35	400.95	10.86	20.37	10.37	7.55	2.85-6.10	
8.89 / 350	5.334	7.112	155.97	250.33	156.13	249.21	249.11	467.94	12.73	23.82	12.07	9.25	3.38-7.18	
10.16 / 400	6.096	8.128	178.34	286.18	178.51	284.87	284.90	534.97	14.57	27.26	13.78	10.96	3.94-8.23	
12.70 / 500	7.620	10.160	223.06	357.87	223.26	356.23	356.43	668.99	18.24	34.12	17.22	14.40	4.99-10.40	
15.24 / 600	9.144	12.192	267.78	429.56	268.01	427.59	427.98	803.04	21.95	41.01	20.67	17.81	6.07-12.53	
17.78 / 700	10.668	14.224	312.50	501.24	312.76	498.91	499.50	-	-	47.87	-	-	-	
20.32 / 800	12.192	16.256	357.21	572.93	357.51	570.27	571.06	-	-	54.76	-	-	-	
22.86 / 900	13.716	18.288	401.93	644.64	402.26	641.63	642.58	-	-	61.61	-	-	-	
25.40 / 1000	15.240	20.320	446.65	716.33	447.01	712.98	714.13	-	-	68.50	-	-	-	

1 The throw ratio is based on the value during projection with the projected image size of 150 in.

2 When the Zoom Lens (Model No.: ET-D3LEW200), the Fixed-focus Lens (Model No.: ET-D3LEU100, ET-D75LE95), or the Fisheye Lens (Model No.: ET-D3LEF70) is used, the projection relation between the screen and the projector differs from that of other lenses. For details, refer to "ET-D3LEU100, ET-D3LEW200" (page 6), "ET-D75LE95" (page 7), or "ET-D3LEF70" (page 8-9).

Calculation of the projection distance

To use a projected image size not listed in this manual, check the projected image size SD (m) and use the respective formula to calculate projection distance.

The unit of all the formulae is m. (Values obtained by the following calculation formulae contain a slight error.)

When calculating a projection distance using image size designation (Value in inches), multiply the value in inches by 0.0254 and substitute it into SD in the formula for calculating the projection distance.

Zoom lens

Unit: m

Projection lens Model No.	Throw ratio	Aspect ratio	Projection distance (L) calculation formula	
			Minimum (LW)	Maximum (LT)
ET-D3LEW200	0.779 – 1.02:1	16:10	$=0.6798 \times SD - 0.1001$	$=0.8910 \times SD - 0.1076$
	0.780 – 1.02:1	16:9	$=0.6987 \times SD - 0.1001$	$=0.9158 \times SD - 0.1076$
	0.938 – 1.23:1	4:3	$=0.7696 \times SD - 0.1001$	$=1.0087 \times SD - 0.1076$
ET-D3LEW300	0.924 – 1.12:1	16:10	$=0.7919 \times SD - 0.0272$	$=0.9585 \times SD - 0.0231$
	0.924 – 1.12:1	16:9	$=0.8139 \times SD - 0.0272$	$=0.9852 \times SD - 0.0231$
	1.11 – 1.35:1	4:3	$=0.8965 \times SD - 0.0272$	$=1.0851 \times SD - 0.0231$
ET-D3LEW60 ET-D75LE6	1.12 – 1.32:1	16:10	$=0.9574 \times SD - 0.0566$	$=1.1471 \times SD - 0.0736$
	1.12 – 1.33:1	16:9	$=0.9841 \times SD - 0.0566$	$=1.1790 \times SD - 0.0736$
	1.34 – 1.59:1	4:3	$=1.0839 \times SD - 0.0566$	$=1.2986 \times SD - 0.0736$
ET-D3LEW10	1.52 – 2.07:1	16:10	$=1.3063 \times SD - 0.0867$	$=1.7852 \times SD - 0.1025$
	1.52 – 2.07:1	16:9	$=1.3426 \times SD - 0.0867$	$=1.8348 \times SD - 0.1025$
	1.83 – 2.49:1	4:3	$=1.4788 \times SD - 0.0867$	$=2.0209 \times SD - 0.1025$
ET-D75LE10	1.56 – 2.01:1	16:10	$=1.3423 \times SD - 0.0857$	$=1.7349 \times SD - 0.1085$
	1.56 – 2.01:1	16:9	$=1.3796 \times SD - 0.0857$	$=1.7831 \times SD - 0.1085$
	1.88 – 2.41:1	4:3	$=1.5196 \times SD - 0.0857$	$=1.9641 \times SD - 0.1085$
ET-D3LES20 ET-D75LE20	2.00 – 2.90:1	16:10	$=1.7174 \times SD - 0.0832$	$=2.4954 \times SD - 0.1162$
	2.01 – 2.90:1	16:9	$=1.7651 \times SD - 0.0832$	$=2.5648 \times SD - 0.1162$
	2.41 – 3.49:1	4:3	$=1.9442 \times SD - 0.0832$	$=2.8250 \times SD - 0.1162$
ET-D3LET30	2.88 – 5.61:1	16:10	$=2.4730 \times SD - 0.1261$	$=4.8101 \times SD - 0.1892$
	2.88 – 5.61:1	16:9	$=2.5418 \times SD - 0.1261$	$=4.9438 \times SD - 0.1892$
	3.46 – 6.74:1	4:3	$=2.7997 \times SD - 0.1261$	$=5.4454 \times SD - 0.1892$
ET-D75LE30	2.89 – 5.61:1	16:10	$=2.4776 \times SD - 0.1131$	$=4.8050 \times SD - 0.1765$
	2.89 – 5.61:1	16:9	$=2.5465 \times SD - 0.1131$	$=4.9386 \times SD - 0.1765$
	3.47 – 6.74:1	4:3	$=2.8048 \times SD - 0.1131$	$=5.4396 \times SD - 0.1765$
ET-D3LET40	5.54 – 8.90:1	16:10	$=4.7403 \times SD - 0.1673$	$=7.5996 \times SD - 0.1846$
	5.54 – 8.90:1	16:9	$=4.8721 \times SD - 0.1673$	$=7.8109 \times SD - 0.1846$
	6.66 – 10.6:1	4:3	$=5.3664 \times SD - 0.1673$	$=8.6033 \times SD - 0.1846$
ET-D75LE40	5.55 – 8.86:1	16:10	$=4.7439 \times SD - 0.1577$	$=7.5632 \times SD - 0.1615$
	5.55 – 8.87:1	16:9	$=4.8758 \times SD - 0.1577$	$=7.7735 \times SD - 0.1615$
	6.67 – 10.6:1	4:3	$=5.3704 \times SD - 0.1577$	$=8.5622 \times SD - 0.1615$
ET-D3LET80 ET-D75LE8	8.83 – 16.6:1	16:10	$=7.5832 \times SD - 0.3862$	$=14.2081 \times SD - 0.3598$
	8.83 – 16.6:1	16:9	$=7.7940 \times SD - 0.3862$	$=14.6031 \times SD - 0.3598$
	10.7 – 19.9:1	4:3	$=8.5848 \times SD - 0.3862$	$=16.0846 \times SD - 0.3598$

Fixed-Focus Lens

Unit: m

Projection lens Model No.	Throw ratio	Aspect ratio	Projection distance (L) calculation formula
ET-D3LEU100	0.447:1	16:10	$=0.3917 \times SD - 0.0664$
	0.447:1	16:9	$=0.4025 \times SD - 0.0664$
	0.538:1	4:3	$=0.4434 \times SD - 0.0664$
ET-D3LEW50 ET-D75LE50	0.838:1	16:10	$=0.7286 \times SD - 0.0713$
	0.838:1	16:9	$=0.7488 \times SD - 0.0713$
	1.01:1	4:3	$=0.8248 \times SD - 0.0713$

Projection lens Model No.	Throw ratio	Aspect ratio	Projection distance (L) calculation formula	Distance between the projector and the screen (A1) calculation formula	
				Minimum	Maximum
ET-D75LE95	0.436:1	16:10	$=0.364 \times SD + 0.020$	$=0.214 \times SH - 0.110$	$=0.430 \times SH - 0.110$
	0.436:1	16:9	$=0.374 \times SD + 0.020$	$=0.293 \times SH - 0.110$	$=0.533 \times SH - 0.110$
	0.522:1	4:3	$=0.412 \times SD + 0.020$	$=0.214 \times SH - 0.110$	$=0.430 \times SH - 0.110$

Lens shift range

The projector can adjust the position of the projected image within the lens shift range for each projection lens based on the optical center position of the image (standard projection position). Optical center position of the image is an image position based on the optical axis center of the projector body.

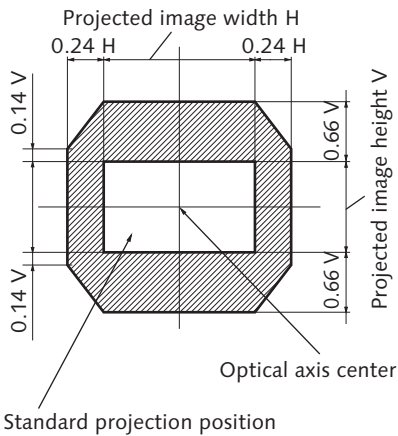
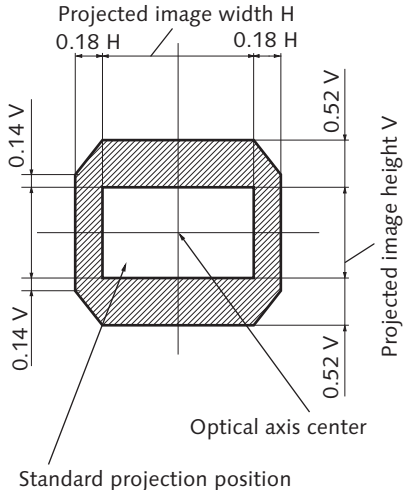
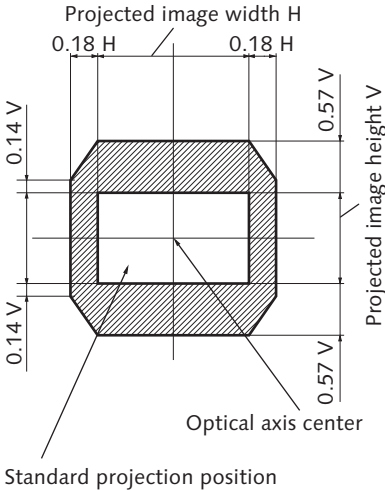
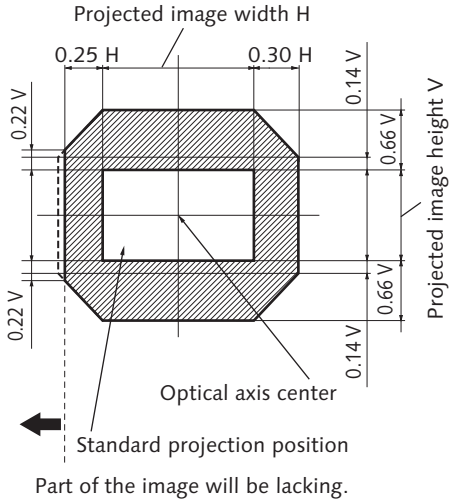
Perform the lens shift adjustment within the range indicated in the following illustration.

Note that moving the lens outside the adjustment range may change the focus.

This is because the shift of the lens is restricted to protect the optical parts.

Following illustration indicates the lens shift range when the projector is installed on desk/floor.

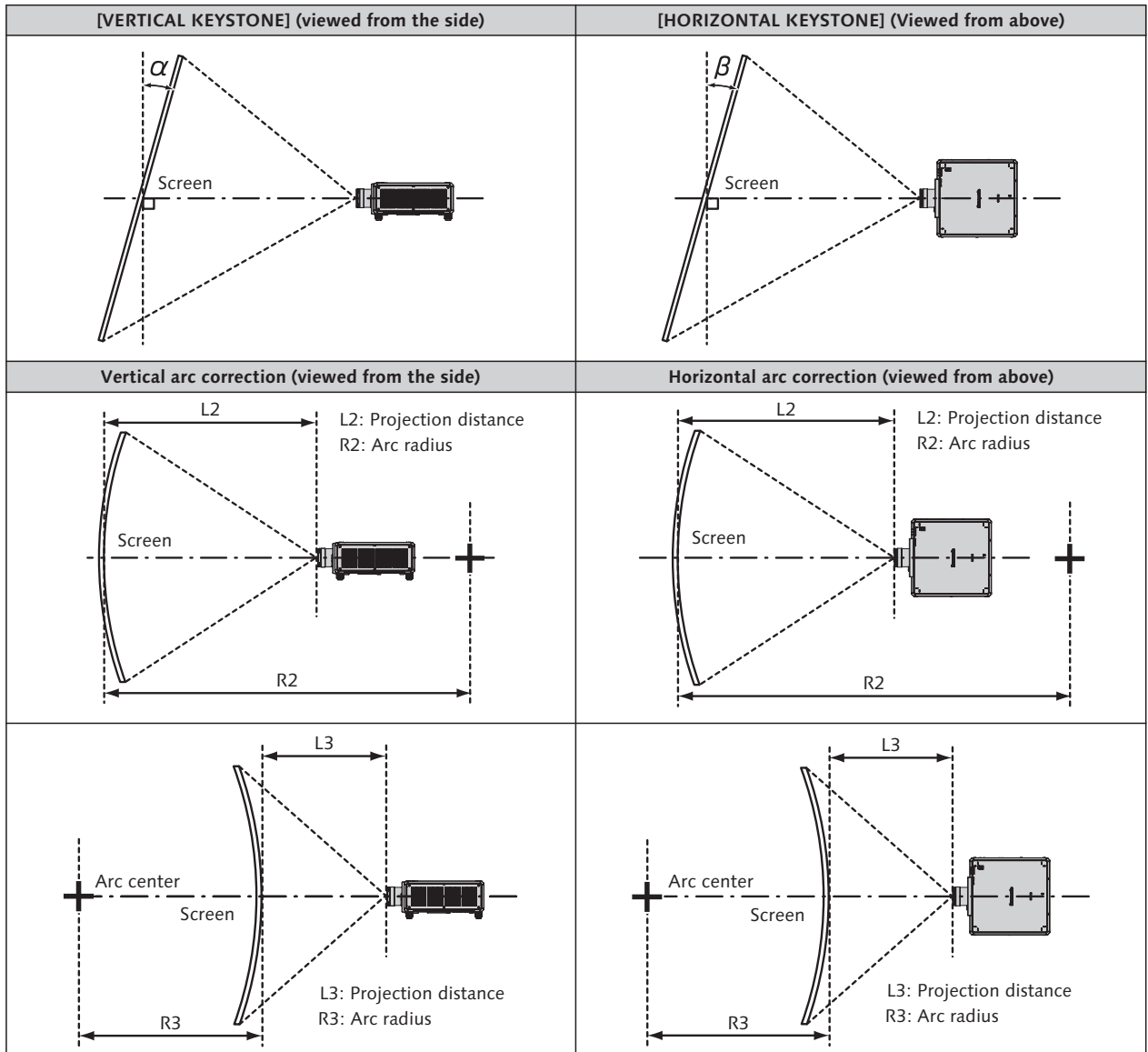
Note that the illustration for the Fisheye Lens (Model No.: ET-D3LEF70) does not represent the actual movement of projected image.

<p>Projection lens Model No.</p> <p>Lens shift range</p>	<p>ET-D3LEW10/ET-D3LES20/ET-D3LET30/ET-D3LET40 ET-D3LET80/ET-D75LE10/ET-D75LE20/ET-D75LE30/ ET-D75LE40/ET-D75LE8</p> 	<p>ET-D3LEW60 ET-D3LEW300 ET-D75LE6</p> 
<p>Projection lens Model No.</p> <p>Lens shift range</p>	<p>ET-D3LEW200</p> 	<p>ET-D3LEU100</p> 

Projection lens Model No.	ET-D75LE95	ET-D3LEF70
Lens shift range	<p>Projected image width H</p> <p>0.14 H</p> <p>0.14 H</p> <p>0.16 V</p> <p>0.77 V</p> <p>0.06 V</p> <p>Optical axis center</p> <p>Standard projection position</p> <p>Projected image height V</p>	<p>Projected image width H</p> <p>0.14 H</p> <p>0.14 H</p> <p>0.32 V</p> <p>0.32 V</p> <p>Optical axis center</p> <p>Standard projection position</p> <p>Projected image height V</p>

* When using the fixed lens (Model No.: ET-D3LEW50, D75LE50) Use the projection lens in the standard projection position without adjusting the lens shift.

Keystone correction range



Projection lens Model No.	Only [KEYSTONE] used ¹		[KEYSTONE] and [CURVED] used together				Only [CURVED] used	
	Vertical keystone correction angle α (°)	Horizontal keystone correction angle β (°)	Vertical keystone correction angle α (°)	Horizontal keystone correction angle β (°)	Min. value of R2/L2	Min. value of R3/L3	Min. value of R2/L2	Min. value of R3/L3
ET-D3LEW200	±15	±5	–	–	–	–	–	–
ET-D3LEW300	±28	±15	±10	±10	1.2	3.0	0.7	1.7
ET-D3LEW60 ET-D75LE6	±28	±15	±10	±10	1.2	3.0	0.7	1.7
ET-D3LEW10	±40	±40	±20	±15	0.9	2.0	0.5	1.1
ET-D75LE10	±40	±40	±20	±15	0.9	2.0	0.5	1.1
ET-D3LES20 ET-D75LE20	±40	±40	±20	±15	0.7	1.3	0.4	0.7
ET-D75LE30	±45	±40	±20	±15	0.5	0.9	0.3	0.5
ET-D75LE40	±45	±40	±20	±15	0.3	0.5	0.2	0.3
ET-D3LET80 ET-D75LE8	±45	±40	±20	±15	0.2	0.3	0.1	0.2
ET-D3LEU100	±8	±5	–	–	–	–	–	–
ET-D3LEW50 ET-D75LE50	±22	±15	±8	±8	1.5	3.7	0.9	2.2
ET-D75LE95 ²	+5/-0	0	–	–	–	–	–	–

1 When [VERTICAL KEYSTONE] and [HORIZONTAL KEYSTONE] are used simultaneously, correction cannot be made exceeding total of 55°.
 2 Only the vertical keystone correction angle can be corrected in the direction in which the projector body moves away from the screen.

Note

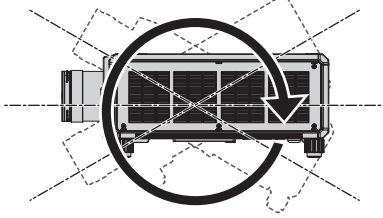
- When [GEOMETRY] is used, the focus of the entire screen may be lost as correction increases.
- Make the curved screen a circular arc shape with one part of a perfect circle removed.
- Adjustment range of the [GEOMETRY] items may not match the listed projection range depending on the projection lens. Use this projector within the projection range, otherwise the correction may not work.

Installable angle

Install the projector at an angle within the range shown below.

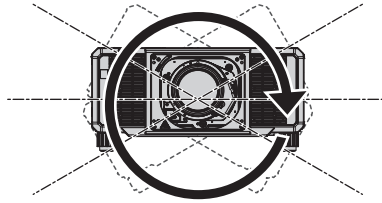
FULL 360-degree projection

360°



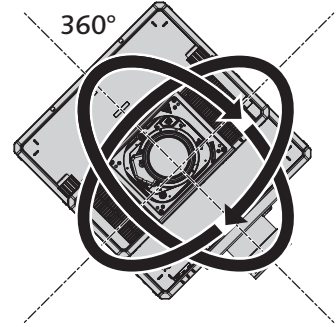
Vertical 360-deg.

360°



Horizontal 360-deg.

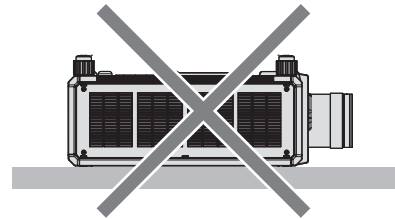
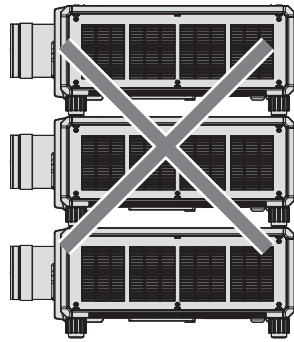
360°



Tilting 360-deg.
(Vertical and Horizontal combination)

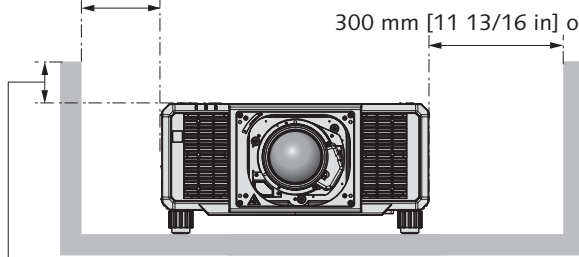
Notes on projector placement and operation

- Do not stack three or more projectors.
- Do not simultaneously use both projectors when stacked on top of each other. When stacking two projectors, use only one projector at a time and make the other as a backup device. Take a measure to prevent sliding off just in case.
- Do not use the projector supporting it by the top.



- Do not block the ventilation ports (intake and exhaust) of the projector.
- Prevent hot and cool air from the air conditioning system to blow directly into the ventilation ports (intake and exhaust) of the projector.

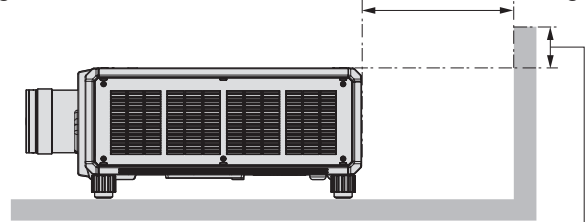
200 mm [7 7/8 in] or longer



100 mm [3 15/16 in] or less

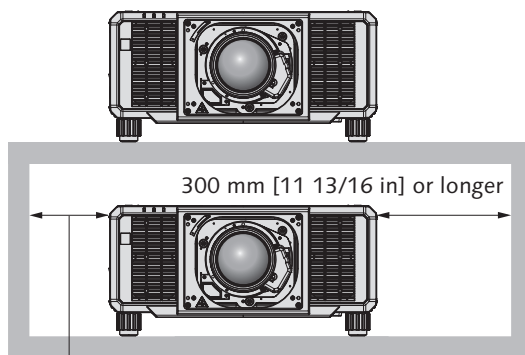
300 mm [11 13/16 in] or longer

500 mm [19 11/16 in] or longer

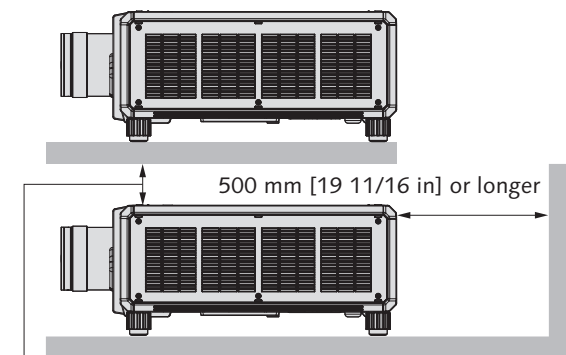


100 mm [3 15/16 in] or less

- Do not install the projector in a confined space. When installing the projector in a confined space, provide air conditioning or ventilation separately. Exhaust heat may accumulate when the ventilation is not enough, triggering the protection circuit of the projector.



200 mm [7 7/8 in] or longer



100 mm [3 15/16 in] or longer

- When installing and fixing the projector on a ceiling of wall using a mount, make sure that the fixing screw or power cord does not come in contact with metal section inside the ceiling or wall. Failure to observe this may result in electric shocks.
- Panasonic Connect Co., Ltd. takes no responsibility for any damage to the product caused by an inappropriate choice of location for installing the projector, even if the warranty period of the product has not expired.
- Immediately remove the product that is not in use anymore by asking a qualified technician.

List of compatible signals

For details of SDI signal, refer to "List of single link SDI compatible signals", and "List of quad link SDI compatible signals".

This projector supports the signal with ✓ in the compatible signal column.

- The content of the signal type column is as follows.

-V: Video signal -C: Computer signal

Signal type	Signal name (SIGNAL FORMAT)	Resolution (Dots)	Scanning freq.		Dot clock freq. (MHz)	Compatible signal		
			Horizontal (kHz)	Vertical (Hz)		HDMI	DisplayPort	DIGITAL LINK ¹
V	480/60p	720 x 480	31.5	59.9	27.0	✓	—	✓
	576/50p	720 x 576	31.3	50.0	27.0	✓	—	✓
	720/60p	1280 x 720	45.0	60.0 ²	74.3	✓	✓	✓
	720/50p	1280 x 720	37.5	50.0	74.3	✓	✓	✓
	720/120p	1280 x 720	90.0	120.0 ²	148.5	✓	✓	✓
	1080/60i	1920 x 1080i	33.8	60.0 ²	74.3	✓	—	✓
	1080/50i	1920 x 1080i	28.1	50.0	74.3	✓	—	✓
	1080/24p	1920 x 1080	27.0	24.0 ²	74.3	✓	✓	✓
	1080/24sF	1920 x 1080i	27.0	48.0 ²	74.3	✓	—	✓
	1080/25p	1920 x 1080	28.1	25.0	74.3	✓	✓	✓
	1080/30p	1920 x 1080	33.8	30.0 ²	74.3	✓	✓	✓
	1080/60p	1920 x 1080	67.5	60.0 ²	148.5	✓	✓	✓
	1080/50p	1920 x 1080	56.3	50.0	148.5	✓	✓	✓
	1080/100p	1920 x 1080	112.5	100.0 ²	297.0	✓	✓	✓
	1080/120p	1920 x 1080	135.0	120.0 ²	297.0	✓	✓	✓
	2K/24p	2048 x 1080	27.0	24.0 ²	74.3	✓	✓	✓
	2K/25p	2048 x 1080	28.1	25.0	74.3	✓	✓	✓
	2K/30p	2048 x 1080	33.8	30.0 ²	74.3	✓	✓	✓
	2K/48p	2048 x 1080	54.0	48.0 ²	148.5	✓	✓	✓
	2K/60p	2048 x 1080	67.5	60.0 ²	148.5	✓	✓	✓
	2K/50p	2048 x 1080	56.3	50.0	148.5	✓	✓	✓
	2560 x 1080/60p	2560 x 1080	66.0	60.0 ²	198.0	✓	✓	✓
	2560 x 1080/50p	2560 x 1080	56.3	50.0	185.6	✓	✓	✓
	3840 x 2160/24p	3840 x 2160	54.0	24.0 ²	297.0	✓	✓	✓
	3840 x 2160/25p	3840 x 2160	56.3	25.0	297.0	✓	✓	✓
	3840 x 2160/30p	3840 x 2160	67.5	30.0 ²	297.0	✓	✓	✓
	3840 x 2160/60p	3840 x 2160	135.0	60.0 ²	297.0	✓ ³	—	✓ ³
		3840 x 2160	135.0	60.0 ²	594.0	✓	✓	—
	3840 x 2160/50p	3840 x 2160	112.5	50.0	297.0	✓ ³	—	✓ ³
		3840 x 2160	112.5	50.0	594.0	✓	✓	—
	4096 x 2160/24p	4096 x 2160	54.0	24.0 ²	297.0	✓	✓	✓
	4096 x 2160/25p	4096 x 2160	56.3	25.0	297.0	✓	✓	✓
	4096 x 2160/30p	4096 x 2160	67.5	30.0 ²	297.0	✓	✓	✓
4096 x 2160/60p	4096 x 2160	135.0	60.0 ²	297.0	✓ ³	—	✓ ³	
	4096 x 2160	135.0	60.0 ²	594.0	✓	✓	—	
4096 x 2160/50p	4096 x 2160	112.5	50.0	297.0	✓ ³	—	✓ ³	
	4096 x 2160	112.5	50.0	594.0	✓	✓	—	
C	640 x 480/60	640 x 480	31.5	59.9	25.2	✓	✓	✓
	1024 x 768/50	1024 x 768	39.6	50.0	51.9	✓	✓	✓
	1024 x 768/60	1024 x 768	48.4	60.0	65.0	✓	✓	✓
	1280 x 800/50	1280 x 800	41.3	50.0	68.0	✓	✓	✓
	1280 x 800/60	1280 x 800	49.7	59.8	83.5	✓	✓	✓
	1280 x 1024/50	1280 x 1024	52.4	50.0	88.0	✓	—	✓
	1280 x 1024/60	1280 x 1024	64.0	60.0	108.0	✓	—	✓
	1366 x 768/50	1360 x 768	39.6	49.9	69.0	✓	—	✓
	1366 x 768/60	1366 x 768	47.7	59.8	85.5	✓	—	✓
	1400 x 1050/50	1400 x 1050	54.1	50.0	99.9	✓	✓	✓
	1400 x 1050/60	1400 x 1050	65.2	60.0	122.6	✓	✓	✓
	1440 x 900/50	1440 x 900	46.3	49.9	86.8	✓	—	✓
	1440 x 900/60	1440 x 900	55.9	59.9	106.5	✓	—	✓
	1600 x 900/50	1600 x 900	46.4	49.9	96.5	✓	✓	✓
	1600 x 900/60	1600 x 900	55.9	60.0	119.0	✓	✓	✓
	1600 x 1200/50	1600 x 1200	61.8	49.9	131.5	✓	✓	✓
	1600 x 1200/60	1600 x 1200	75.0	60.0	162.0	✓	✓	✓
1680 x 1050/50	1680 x 1050	54.1	50.0	119.5	✓	—	✓	
1680 x 1050/60	1680 x 1050	65.3	60.0	146.3	✓	—	✓	

Signal type	Signal name (SIGNAL FORMAT)	Resolution (Dots)	Scanning freq.		Dot clock freq. (MHz)	Compatible signal		
			Horizontal (kHz)	Vertical (Hz)		HDMI	DisplayPort	DIGITAL LINK ¹
C	1920 x 1200/50	1920 x 1200	61.8	49.9	158.3	✓	✓	✓
	1920 x 1200/60RB	1920 x 1200 ⁴	74.0	60.0	154.0	✓	✓	✓
	2560 x 1440/50	2560 x 1440	74.1	50.0	256.3	✓	✓	✓
	2560 x 1440/60	2560 x 1440 ⁴	88.8	60.0	241.5	✓	✓	✓
	2560 x 1600/50	2560 x 1600	82.4	50.0	286.0	✓	✓	✓
	2560 x 1600/60	2560 x 1600	98.7	60.0	268.5	✓	✓	✓
	3440 x 1440/50	3440 x 1440 ⁴	73.7	50.0	259.4	✓	✓	—
	3440 x 1440/60	3440 x 1440 ⁴	88.9	60.0	312.8	✓	✓	—
	3840 x 2400/30	3840 x 2400 ⁴	73.0	30.0	286.2	✓	✓	✓
	3840 x 2400/50	3840 x 2400 ⁴	122.9	50.0	481.6	✓	✓	—
3840 x 2400/60	3840 x 2400 ⁴	148.1	60.0	592.5	✓	✓	—	

1 Requires TY-SB01DL Interface Board for DIGITAL LINK (available from September 2022). ET-YFB200G/ET-YFB100G not compatible with 4K signals.

2 The signal with 1/1.001x vertical scanning frequency is also supported.

3 YPbPr 4:2:0 format only

4 VESA CVT-RB (Reduced Blanking)-compliant

Note

- A signal with a different resolution is converted to the number of display dots. The number of display dots is as follows.
 - 1920 x 1200
- The "i" at the end of the resolution indicates an interlaced signal.
- When interlaced signals are connected, flickering may occur on the projected image.

List of Plug and play compatible signals

The following table specifies the image signals compatible with plug and play.

Signal with ✓ in the plug and play compatible signal column is the signal described in the EDID (extended display identification data) of the projector. For the signal without ✓ in the plug and play compatible signal column, the resolution may not be selected on the computer even if the projector is supporting it.

Signal name (SIGNAL FORMAT)	Resolution (Dots)	Scanning freq.		Dot clock freq. (MHz)	Plug and play correspondence								
		Horizontal (kHz)	Vertical (Hz)		HDMI			DisplayPort			DIGITAL LINK ¹		
					4K/60p ²	4K/30p	2K	4K/60p ²	4K/30p	2K	4K/60p	4K/30p ³	2K
480/60p	720 x 480	31.5	59.9	27.0	✓	✓	✓	—	—	—	✓	✓	✓
576/50p	720 x 576	31.3	50.0	27.0	✓	✓	✓	—	—	—	✓	✓	✓
720/60p	1280 x 720	45.0	60.0 ⁴	74.3	✓	✓	✓	✓	✓	✓	✓	✓	✓
720/50p	1280 x 720	37.5	50.0	74.3	✓	✓	✓	✓	✓	✓	✓	✓	✓
720/120p	1280 x 720	90.0	120.0 ⁴	148.5	—	—	—	—	—	—	—	—	—
1080/60i	1920 x 1080i	33.8	60.0 ⁴	74.3	✓	✓	✓	—	—	—	✓	✓	✓
1080/50i	1920 x 1080i	28.1	50.0	74.3	✓	✓	✓	—	—	—	✓	✓	✓
1080/24p	1920 x 1080	27.0	24.0 ⁴	74.3	✓	✓	✓	✓	✓	✓	✓	✓	✓
1080/24sF	1920 x 1080i	27.0	48.0 ⁴	74.3	—	—	—	—	—	—	—	—	—
1080/25p	1920 x 1080	28.1	25.0	74.3	✓	✓	✓	✓	✓	✓	✓	✓	✓
1080/30p	1920 x 1080	33.8	30.0 ⁴	74.3	✓	✓	✓	✓	✓	✓	✓	✓	✓
1080/60p	1920 x 1080	67.5	60.0 ⁴	148.5	✓	✓	✓	✓	✓	✓	✓	✓	✓
1080/50p	1920 x 1080	56.3	50.0	148.5	✓	✓	✓	✓	✓	✓	✓	✓	✓
1080/100p	1920 x 1080	112.5	100.0 ⁴	297.0	✓	✓	—	✓	✓	—	✓	✓	—
1080/120p	1920 x 1080	135.0	120.0 ⁴	297.0	✓	✓	—	✓	✓	—	✓	✓	—
2K/24p	2048 x 1080	27.0	24.0 ⁴	74.3	—	—	—	—	—	—	—	—	—
2K/25p	2048 x 1080	28.1	25.0	74.3	—	—	—	—	—	—	—	—	—
2K/30p	2048 x 1080	33.8	30.0 ⁴	74.3	—	—	—	—	—	—	—	—	—
2K/48p	2048 x 1080	54.0	48.0 ⁴	148.5	—	—	—	—	—	—	—	—	—
2K/60p	2048 x 1080	67.5	60.0 ⁴	148.5	—	—	—	—	—	—	—	—	—
2K/50p	2048 x 1080	56.3	50.0	148.5	—	—	—	—	—	—	—	—	—
2560 x 1080/60p	2560 x 1080	66.0	60.0 ⁴	198.0	—	—	—	—	—	—	—	—	—
2560 x 1080/50p	2560 x 1080	56.3	50.0	185.6	—	—	—	—	—	—	—	—	—
3840 x 2160/24p	3840 x 2160	54.0	24.0 ⁴	297.0	✓	✓	—	✓	✓	—	✓	✓	—
3840 x 2160/25p	3840 x 2160	56.3	25.0	297.0	✓	✓	—	✓	✓	—	✓	✓	—
3840 x 2160/30p	3840 x 2160	67.5	30.0 ⁴	297.0	✓	✓	—	✓	✓	—	✓	✓	—
3840 x 2160/60p	3840 x 2160	135.0	60.0 ⁴	297.0	✓ ⁵	—	—	—	—	—	✓ ⁵	—	—
	3840 x 2160	135.0	60.0 ⁴	594.0	✓	—	—	✓	—	—	—	—	—
3840 x 2160/50p	3840 x 2160	112.5	50.0	297.0	✓ ⁵	—	—	—	—	—	✓ ⁵	—	—
	3840 x 2160	112.5	50.0	594.0	✓	—	—	✓	—	—	—	—	—
4096 x 2160/24p	4096 x 2160	54.0	24.0 ⁴	297.0	✓	✓	—	✓	✓	—	✓	✓	—
4096 x 2160/25p	4096 x 2160	56.3	25.0	297.0	✓	✓	—	✓	✓	—	✓	✓	—
4096 x 2160/30p	4096 x 2160	67.5	30.0 ⁴	297.0	✓	✓	—	✓	✓	—	✓	✓	—
4096 x 2160/60p	4096 x 2160	135.0	60.0 ⁴	297.0	✓ ⁵	—	—	—	—	—	✓ ⁵	—	—
	4096 x 2160	135.0	60.0 ⁴	594.0	✓	—	—	✓	—	—	—	—	—
4096 x 2160/50p	4096 x 2160	112.5	50.0	297.0	✓ ⁵	—	—	—	—	—	✓ ⁵	—	—
	4096 x 2160	112.5	50.0	594.0	✓	—	—	✓	—	—	—	—	—
640 x 480/60	640 x 480	31.5	59.9	25.2	✓	✓	✓	✓	✓	✓	✓	✓	✓
1024 x 768/50	1024 x 768	39.6	50.0	51.9	—	—	—	—	—	—	—	—	—
1024 x 768/60	1024 x 768	48.4	60.0	65.0	✓	✓	✓	✓	✓	✓	✓	✓	✓
1280 x 800/50	1280 x 800	41.3	50.0	68.0	—	—	—	—	—	—	—	—	—
1280 x 800/60	1280 x 800	49.7	59.8	83.5	—	—	—	—	—	—	—	—	—
1280 x 1024/50	1280 x 1024	52.4	50.0	88.0	—	—	—	—	—	—	—	—	—
1280 x 1024/60	1280 x 1024	64.0	60.0	108.0	—	—	—	—	—	—	—	—	—
1366 x 768/50	1366 x 768	39.6	49.9	69.0	—	—	—	—	—	—	—	—	—
1366 x 768/60	1366 x 768	47.7	59.8	85.5	—	—	—	—	—	—	—	—	—
1400 x 1050/50	1400 x 1050	54.1	50.0	99.9	—	—	—	—	—	—	—	—	—
1400 x 1050/60	1400 x 1050	65.2	60.0	122.6	✓	✓	✓	✓	✓	✓	✓	✓	✓
1440 x 900/50	1440 x 900	46.3	49.9	86.8	—	—	—	—	—	—	—	—	—
1440 x 900/60	1440 x 900	55.9	59.9	106.5	—	—	—	—	—	—	—	—	—
1600 x 900/50	1600 x 900	46.4	49.9	96.5	—	—	—	—	—	—	—	—	—
1600 x 900/60	1600 x 900	55.9	60.0	119.0	✓	✓	✓	✓	✓	✓	✓	✓	✓
1600 x 1200/50	1600 x 1200	61.8	49.9	131.5	—	—	—	—	—	—	—	—	—
1600 x 1200/60	1600 x 1200	75.0	60.0	162.0	✓	✓	✓	✓	✓	✓	✓	✓	✓
1680 x 1050/50	1680 x 1050	54.1	50.0	119.5	—	—	—	—	—	—	—	—	—
1680 x 1050/60	1680 x 1050	65.3	60.0	146.3	—	—	—	—	—	—	—	—	—
1920 x 1200/50	1920 x 1200	61.8	49.9	158.3	—	—	—	—	—	—	—	—	—
1920 x 1200/60RB	1920 x 1200 ⁶	74.0	60.0	154.0	✓	✓	✓	✓	✓	✓	✓	✓	✓

Signal name (SIGNAL FORMAT)	Resolution (Dots)	Scanning freq.		Dot clock freq. (MHz)	Plug and play correspondence									
		Horizontal (kHz)	Vertical (Hz)		HDMI			DisplayPort			DIGITAL LINK ¹			
					4K/60p ²	4K/30p	2K	4K/60p ²	4K/30p	2K	4K/60p	4K/30p ³	2K	
2560 x 1440/50	2560 x 1440	74.1	50.0	256.3	—	—	—	—	—	—	—	—	—	—
2560 x 1440/60	2560 x 1440 ⁶	88.8	60.0	241.5	—	—	—	—	—	—	—	—	—	—
2560 x 1600/50	2560 x 1600	82.4	50.0	286.0	—	—	—	—	—	—	—	—	—	—
2560 x 1600/60	2560 x 1600	98.7	60.0	268.5	✓	✓	—	✓	✓	—	✓	✓	—	—
3440 x 1440/50	3440 x 1440 ⁶	73.7	50.0	259.4	—	—	—	—	—	—	—	—	—	—
3440 x 1440/60	3440 x 1440 ⁶	88.9	60.0	312.8	—	—	—	—	—	—	—	—	—	—
3840 x 2400/30	3840 x 2400 ⁶	73.0	30.0	286.2	—	—	—	—	—	—	—	—	—	—
3840 x 2400/50	3840 x 2400 ⁶	122.9	50.0	481.6	—	—	—	—	—	—	—	—	—	—
3840 x 2400/60	3840 x 2400 ⁶	148.1	60.0	592.5	✓	—	—	✓	—	—	—	—	—	—

1 Requires TY-SB01DL Interface Board for DIGITAL LINK (available from September 2022). ET-YFB200G/ET-YFB100G not compatible with 4K signals.

2 4K/60p indicates 4K/60p/SDR and 4K/60p/HDR.

3 4K/30p indicates 4K/30p/SDR and 4K/30p/HDR.

4 The signal with 1/1.001x vertical scanning frequency is also supported.

5 YPbPr 4:2:0 format only

6 VESA CVT-RB (Reduced Blanking)-compliant

List of Single link SDI compatible signals

The following table specifies the Single link SDI signals that the projector can project.

This is supported when the optional 12G-SDI Terminal Board (Model No.: TY-SB01QS) or the optional Function Board for 12G-SDI Optical (Model No.: TY-SB01FB) is installed in the slot.

- The content of the 4K division column is as follows.
 - IL: Interleave (transmission format of 2-Sample Interleave Division)
- The content of the signal type column is as follows.
 - V: Video signal

Signal type	Signal name (SIGNAL FORMAT)	Resolution (Dots)	Scanning freq.		Dot clock freq. (MHz)	4K division	Format	Color format	Sampling
			Horizontal (kHz)	Vertical (Hz)					
V	720/60p ¹	1280 x 720	45.0	60.0	74.3	—	HD-SDI	YPbPr	4:2:2 10bit
	720/50p ¹	1280 x 720	37.5	50.0	74.3	—	HD-SDI	YPbPr	4:2:2 10bit
	1080/60i	1920 x 1080i	33.8	60.0 ²	74.3	—	HD-SDI	YPbPr	4:2:2 10bit
		1920 x 1080i	33.8	60.0 ²	74.3	—	3G-SDI Level-A	RGB	4:4:4 10bit
		1920 x 1080i	33.8	60.0 ²	74.3	—	3G-SDI Level-A	RGB	4:4:4 12bit
		1920 x 1080i	33.8	60.0 ²	74.3	—	3G-SDI Level-B	RGB	4:4:4 12bit
		1920 x 1080i	33.8	60.0 ²	74.3	—	3G-SDI Level-B	RGB	4:4:4 12bit
	1080/50i	1920 x 1080i	28.1	50.0	74.3	—	HD-SDI	YPbPr	4:2:2 10bit
		1920 x 1080i	28.1	50.0	74.3	—	3G-SDI Level-A	RGB	4:4:4 10bit
		1920 x 1080i	28.1	50.0	74.3	—	3G-SDI Level-B	RGB	4:4:4 10bit
		1920 x 1080i	28.1	50.0	74.3	—	3G-SDI Level-A	RGB	4:4:4 12bit
		1920 x 1080i	28.1	50.0	74.3	—	3G-SDI Level-B	RGB	4:4:4 12bit
	1080/24p	1920 x 1080	27.0	24.0 ²	74.3	—	HD-SDI	YPbPr	4:2:2 10bit
		1920 x 1080	27.0	24.0 ²	74.3	—	3G-SDI Level-A	RGB	4:4:4 10bit
		1920 x 1080	27.0	24.0 ²	74.3	—	3G-SDI Level-B	RGB	4:4:4 10bit
		1920 x 1080	27.0	24.0 ²	74.3	—	3G-SDI Level-A	RGB	4:4:4 12bit
		1920 x 1080	27.0	24.0 ²	74.3	—	3G-SDI Level-B	RGB	4:4:4 12bit
	1080/24sF ¹	1920 x 1080i	27.0	48.0 ²	74.3	—	HD-SDI	YPbPr	4:2:2 10bit
		1920 x 1080i	27.0	48.0 ²	74.3	—	3G-SDI Level-A	RGB	4:4:4 10bit
		1920 x 1080i	27.0	48.0 ²	74.3	—	3G-SDI Level-B	RGB	4:4:4 10bit
		1920 x 1080i	27.0	48.0 ²	74.3	—	3G-SDI Level-A	RGB	4:4:4 12bit
		1920 x 1080i	27.0	48.0 ²	74.3	—	3G-SDI Level-B	RGB	4:4:4 12bit
	1080/25p	1920 x 1080	28.1	25.0	74.3	—	HD-SDI	YPbPr	4:2:2 10bit
		1920 x 1080	28.1	25.0	74.3	—	3G-SDI Level-A	RGB	4:4:4 10bit
		1920 x 1080	28.1	25.0	74.3	—	3G-SDI Level-B	RGB	4:4:4 10bit
		1920 x 1080	28.1	25.0	74.3	—	3G-SDI Level-A	RGB	4:4:4 12bit
		1920 x 1080	28.1	25.0	74.3	—	3G-SDI Level-B	RGB	4:4:4 12bit
	1080/30p	1920 x 1080	33.8	30.0 ²	74.3	—	HD-SDI	YPbPr	4:2:2 10bit
		1920 x 1080	33.8	30.0 ²	74.3	—	3G-SDI Level-A	RGB	4:4:4 10bit
		1920 x 1080	33.8	30.0 ²	74.3	—	3G-SDI Level-B	RGB	4:4:4 10bit
		1920 x 1080	33.8	30.0 ²	74.3	—	3G-SDI Level-A	RGB	4:4:4 12bit
		1920 x 1080	33.8	30.0 ²	74.3	—	3G-SDI Level-B	RGB	4:4:4 12bit
	1080/60p	1920 x 1080	67.5	60.0 ²	148.5	—	3G-SDI Level-A	YPbPr	4:2:2 10bit
		1920 x 1080	67.5	60.0 ²	148.5	—	3G-SDI Level-B	YPbPr	4:2:2 10bit
	1080/50p	1920 x 1080	56.3	50.0	148.5	—	3G-SDI Level-A	YPbPr	4:2:2 10bit
		1920 x 1080	56.3	50.0	148.5	—	3G-SDI Level-B	YPbPr	4:2:2 10bit
	2K/24p	2048 x 1080	27.0	24.0 ²	74.3	—	3G-SDI Level-A	RGB	4:4:4 10bit
		2048 x 1080	27.0	24.0 ²	74.3	—	3G-SDI Level-B	RGB	4:4:4 10bit
		2048 x 1080	27.0	24.0 ²	74.3	—	3G-SDI Level-A	RGB	4:4:4 12bit
		2048 x 1080	27.0	24.0 ²	74.3	—	3G-SDI Level-B	RGB	4:4:4 12bit
	2K/25p	2048 x 1080	28.1	25.0	74.3	—	3G-SDI Level-A	RGB	4:4:4 10bit
		2048 x 1080	28.1	25.0	74.3	—	3G-SDI Level-B	RGB	4:4:4 10bit
		2048 x 1080	28.1	25.0	74.3	—	3G-SDI Level-A	RGB	4:4:4 12bit
		2048 x 1080	28.1	25.0	74.3	—	3G-SDI Level-B	RGB	4:4:4 12bit
	2K/30p	2048 x 1080	33.8	30.0 ²	74.3	—	3G-SDI Level-A	RGB	4:4:4 10bit
		2048 x 1080	33.8	30.0 ²	74.3	—	3G-SDI Level-B	RGB	4:4:4 10bit
		2048 x 1080	33.8	30.0 ²	74.3	—	3G-SDI Level-A	RGB	4:4:4 12bit
		2048 x 1080	33.8	30.0 ²	74.3	—	3G-SDI Level-B	RGB	4:4:4 12bit
	2K/48p ¹	2048 x 1080	54.0	48.0	148.5	—	3G-SDI Level-A	YPbPr	4:2:2 10bit
		2048 x 1080	54.0	48.0	148.5	—	3G-SDI Level-B	YPbPr	4:2:2 10bit
2K/60p	2048 x 1080	67.5	60.0 ²	148.5	—	3G-SDI Level-A	YPbPr	4:2:2 10bit	
	2048 x 1080	67.5	60.0 ²	148.5	—	3G-SDI Level-B	YPbPr	4:2:2 10bit	
2K/50p	2048 x 1080	56.3	50.0	148.5	—	3G-SDI Level-A	YPbPr	4:2:2 10bit	
	2048 x 1080	56.3	50.0	148.5	—	3G-SDI Level-B	YPbPr	4:2:2 10bit	

Signal type	Signal name (SIGNAL FORMAT)	Resolution (Dots)	Scanning freq.		Dot clock freq. (MHz)	4K division	Format	Color format	Sampling
			Horizontal (kHz)	Vertical (Hz)					
V	3840 x 2160/24p	3840 x 2160	54.0	24.0 ²	297.0	IL	12G-SDI Type 1	YPbPr	4:2:2 12bit
		3840 x 2160	54.0	24.0 ²	297.0	IL	12G-SDI Type 1	YPbPr	4:4:4 10bit
		3840 x 2160	54.0	24.0 ²	297.0	IL	12G-SDI Type 1	YPbPr	4:4:4 12bit
		3840 x 2160	54.0	24.0 ²	297.0	IL	12G-SDI Type 1	RGB	4:4:4 10bit
	3840 x 2160/25p	3840 x 2160	56.3	25.0	297.0	IL	12G-SDI Type 1	YPbPr	4:2:2 12bit
		3840 x 2160	56.3	25.0	297.0	IL	12G-SDI Type 1	YPbPr	4:4:4 10bit
		3840 x 2160	56.3	25.0	297.0	IL	12G-SDI Type 1	YPbPr	4:4:4 12bit
		3840 x 2160	56.3	25.0	297.0	IL	12G-SDI Type 1	RGB	4:4:4 10bit
	3840 x 2160/30p	3840 x 2160	67.5	30.0 ²	297.0	IL	12G-SDI Type 1	YPbPr	4:2:2 12bit
		3840 x 2160	67.5	30.0 ²	297.0	IL	12G-SDI Type 1	YPbPr	4:4:4 10bit
		3840 x 2160	67.5	30.0 ²	297.0	IL	12G-SDI Type 1	YPbPr	4:4:4 12bit
		3840 x 2160	67.5	30.0 ²	297.0	IL	12G-SDI Type 1	RGB	4:4:4 10bit
	3840 x 2160/60p	3840 x 2160	135.0	60.0 ²	594.0	IL	12G-SDI Type 1	YPbPr	4:2:2 10bit
	3840 x 2160/50p	3840 x 2160	112.5	50.0	594.0	IL	12G-SDI Type 1	YPbPr	4:2:2 10bit
	4096 x 2160/24p	4096 x 2160	54.0	24.0 ²	297.0	IL	12G-SDI Type 1	YPbPr	4:2:2 12bit
		4096 x 2160	54.0	24.0 ²	297.0	IL	12G-SDI Type 1	YPbPr	4:4:4 10bit
		4096 x 2160	54.0	24.0 ²	297.0	IL	12G-SDI Type 1	YPbPr	4:4:4 12bit
		4096 x 2160	54.0	24.0 ²	297.0	IL	12G-SDI Type 1	RGB	4:4:4 10bit
	4096 x 2160/25p	4096 x 2160	56.3	25.0	297.0	IL	12G-SDI Type 1	YPbPr	4:2:2 12bit
		4096 x 2160	56.3	25.0	297.0	IL	12G-SDI Type 1	YPbPr	4:4:4 10bit
		4096 x 2160	56.3	25.0	297.0	IL	12G-SDI Type 1	YPbPr	4:4:4 12bit
		4096 x 2160	56.3	25.0	297.0	IL	12G-SDI Type 1	RGB	4:4:4 10bit
	4096 x 2160/30p	4096 x 2160	67.5	30.0 ²	297.0	IL	12G-SDI Type 1	YPbPr	4:2:2 12bit
		4096 x 2160	67.5	30.0 ²	297.0	IL	12G-SDI Type 1	YPbPr	4:4:4 10bit
		4096 x 2160	67.5	30.0 ²	297.0	IL	12G-SDI Type 1	YPbPr	4:4:4 12bit
		4096 x 2160	67.5	30.0 ²	297.0	IL	12G-SDI Type 1	RGB	4:4:4 10bit
	4096 x 2160/60p	4096 x 2160	135.0	60.0 ²	594.0	IL	12G-SDI Type 1	YPbPr	4:2:2 10bit
	4096 x 2160/50p	4096 x 2160	112.5	50.0	594.0	IL	12G-SDI Type 1	YPbPr	4:2:2 10bit

1 This is supported when the optional Function Board for 12G-SDI Optical (Model No.: TY-SB01FB) is installed in the slot.

2 The signal with 1/1.001x vertical scanning frequency is also supported.

Note

- The "i" at the end of the resolution indicates an interlaced signal.

List of Quad link SDI compatible signals

The following table specifies the quad link SDI signals that the projector can project.

Requires TY-SB01QS Interface Board for 12G-SDI Input

- The content of the 4K division column is as follows.
 - SQ: Square (transmission format of Square Division)
 - IL: Interleave (transmission format of 2-Sample Interleave Division)
- The content of the signal type column is as follows.
 - V: Video signal

Signal type	Signal name (SIGNAL FORMAT)	Resolution (Dots)	Scanning freq.		Dot clock freq. (MHz)	4K division	Format	Color format	Sampling
			Horizontal (kHz)	Vertical (Hz)					
V	3840 x 2160/24p	3840 x 2160	54.0	24.0 ¹	297.0	SQ	HD-SDI	YPbPr	4:2:2 10bit
		3840 x 2160	54.0	24.0 ¹	297.0	SQ	3G-SDI Level-A	YPbPr	4:2:2 12bit
		3840 x 2160	54.0	24.0 ¹	297.0	IL	3G-SDI Level-A	YPbPr	4:2:2 12bit
		3840 x 2160	54.0	24.0 ¹	297.0	SQ	3G-SDI Level-B	YPbPr	4:2:2 12bit
		3840 x 2160	54.0	24.0 ¹	297.0	IL	3G-SDI Level-B	YPbPr	4:2:2 12bit
		3840 x 2160	54.0	24.0 ¹	297.0	SQ	3G-SDI Level-A	YPbPr	4:4:4 10bit
		3840 x 2160	54.0	24.0 ¹	297.0	IL	3G-SDI Level-A	YPbPr	4:4:4 10bit
		3840 x 2160	54.0	24.0 ¹	297.0	SQ	3G-SDI Level-B	YPbPr	4:4:4 10bit
		3840 x 2160	54.0	24.0 ¹	297.0	IL	3G-SDI Level-B	YPbPr	4:4:4 10bit
		3840 x 2160	54.0	24.0 ¹	297.0	SQ	3G-SDI Level-A	YPbPr	4:4:4 12bit
		3840 x 2160	54.0	24.0 ¹	297.0	IL	3G-SDI Level-A	YPbPr	4:4:4 12bit
		3840 x 2160	54.0	24.0 ¹	297.0	SQ	3G-SDI Level-B	YPbPr	4:4:4 12bit
		3840 x 2160	54.0	24.0 ¹	297.0	IL	3G-SDI Level-B	YPbPr	4:4:4 12bit
		3840 x 2160	54.0	24.0 ¹	297.0	SQ	3G-SDI Level-A	RGB	4:4:4 10bit
		3840 x 2160	54.0	24.0 ¹	297.0	IL	3G-SDI Level-A	RGB	4:4:4 10bit
		3840 x 2160	54.0	24.0 ¹	297.0	SQ	3G-SDI Level-B	RGB	4:4:4 10bit
		3840 x 2160	54.0	24.0 ¹	297.0	IL	3G-SDI Level-B	RGB	4:4:4 10bit
		3840 x 2160	54.0	24.0 ¹	297.0	SQ	3G-SDI Level-A	RGB	4:4:4 12bit
		3840 x 2160	54.0	24.0 ¹	297.0	IL	3G-SDI Level-A	RGB	4:4:4 12bit
		3840 x 2160	54.0	24.0 ¹	297.0	SQ	3G-SDI Level-B	RGB	4:4:4 12bit
	3840 x 2160	54.0	24.0 ¹	297.0	IL	3G-SDI Level-B	RGB	4:4:4 12bit	
	3840 x 2160/25p	3840 x 2160	56.3	25.0	297.0	SQ	HD-SDI	YPbPr	4:2:2 10bit
		3840 x 2160	56.3	25.0	297.0	SQ	3G-SDI Level-A	YPbPr	4:2:2 12bit
		3840 x 2160	56.3	25.0	297.0	IL	3G-SDI Level-A	YPbPr	4:2:2 12bit
		3840 x 2160	56.3	25.0	297.0	SQ	3G-SDI Level-B	YPbPr	4:2:2 12bit
		3840 x 2160	56.3	25.0	297.0	IL	3G-SDI Level-B	YPbPr	4:2:2 12bit
		3840 x 2160	56.3	25.0	297.0	SQ	3G-SDI Level-A	YPbPr	4:4:4 10bit
		3840 x 2160	56.3	25.0	297.0	IL	3G-SDI Level-A	YPbPr	4:4:4 10bit
		3840 x 2160	56.3	25.0	297.0	SQ	3G-SDI Level-B	YPbPr	4:4:4 10bit
		3840 x 2160	56.3	25.0	297.0	IL	3G-SDI Level-B	YPbPr	4:4:4 10bit
		3840 x 2160	56.3	25.0	297.0	SQ	3G-SDI Level-A	YPbPr	4:4:4 12bit
		3840 x 2160	56.3	25.0	297.0	IL	3G-SDI Level-A	YPbPr	4:4:4 12bit
		3840 x 2160	56.3	25.0	297.0	SQ	3G-SDI Level-B	YPbPr	4:4:4 12bit
		3840 x 2160	56.3	25.0	297.0	IL	3G-SDI Level-B	YPbPr	4:4:4 12bit
		3840 x 2160	56.3	25.0	297.0	SQ	3G-SDI Level-A	RGB	4:4:4 10bit
		3840 x 2160	56.3	25.0	297.0	IL	3G-SDI Level-A	RGB	4:4:4 10bit
		3840 x 2160	56.3	25.0	297.0	SQ	3G-SDI Level-B	RGB	4:4:4 10bit
		3840 x 2160	56.3	25.0	297.0	IL	3G-SDI Level-B	RGB	4:4:4 10bit
		3840 x 2160	56.3	25.0	297.0	SQ	3G-SDI Level-A	RGB	4:4:4 12bit
		3840 x 2160	56.3	25.0	297.0	IL	3G-SDI Level-A	RGB	4:4:4 12bit
		3840 x 2160/30p	3840 x 2160	67.5	30.0 ¹	297.0	SQ	HD-SDI	YPbPr
	3840 x 2160		67.5	30.0 ¹	297.0	SQ	3G-SDI Level-A	YPbPr	4:2:2 12bit
	3840 x 2160		67.5	30.0 ¹	297.0	IL	3G-SDI Level-A	YPbPr	4:2:2 12bit
	3840 x 2160		67.5	30.0 ¹	297.0	SQ	3G-SDI Level-B	YPbPr	4:2:2 12bit
	3840 x 2160		67.5	30.0 ¹	297.0	IL	3G-SDI Level-B	YPbPr	4:2:2 12bit
	3840 x 2160		67.5	30.0 ¹	297.0	SQ	3G-SDI Level-A	YPbPr	4:4:4 10bit
	3840 x 2160		67.5	30.0 ¹	297.0	IL	3G-SDI Level-A	YPbPr	4:4:4 10bit
	3840 x 2160		67.5	30.0 ¹	297.0	SQ	3G-SDI Level-B	YPbPr	4:4:4 10bit
3840 x 2160	67.5		30.0 ¹	297.0	IL	3G-SDI Level-B	YPbPr	4:4:4 10bit	
3840 x 2160	67.5		30.0 ¹	297.0	SQ	3G-SDI Level-A	YPbPr	4:4:4 12bit	
3840 x 2160	67.5		30.0 ¹	297.0	IL	3G-SDI Level-A	YPbPr	4:4:4 12bit	
3840 x 2160	67.5		30.0 ¹	297.0	SQ	3G-SDI Level-B	YPbPr	4:4:4 12bit	

Signal type	Signal name (SIGNAL FORMAT)	Resolution (Dots)	Scanning freq.		Dot clock freq. (MHz)	4K division	Format	Color format	Sampling	
			Horizontal (kHz)	Vertical (Hz)						
V	3840 x 2160/30p	3840 x 2160	67.5	30.0 ¹	297.0	IL	3G-SDI Level-B	YPbPr	4:4:4 12bit	
		3840 x 2160	67.5	30.0 ¹	297.0	SQ	3G-SDI Level-A	RGB	4:4:4 10bit	
		3840 x 2160	67.5	30.0 ¹	297.0	IL	3G-SDI Level-A	RGB	4:4:4 10bit	
		3840 x 2160	67.5	30.0 ¹	297.0	SQ	3G-SDI Level-B	RGB	4:4:4 10bit	
		3840 x 2160	67.5	30.0 ¹	297.0	IL	3G-SDI Level-B	RGB	4:4:4 10bit	
		3840 x 2160	67.5	30.0 ¹	297.0	SQ	3G-SDI Level-A	RGB	4:4:4 12bit	
		3840 x 2160	67.5	30.0 ¹	297.0	IL	3G-SDI Level-A	RGB	4:4:4 12bit	
		3840 x 2160	67.5	30.0 ¹	297.0	SQ	3G-SDI Level-B	RGB	4:4:4 12bit	
	3840 x 2160/60p	3840 x 2160	135.0	60.0 ¹	594.0	SQ	3G-SDI Level-A	YPbPr	4:2:2 10bit	
		3840 x 2160	135.0	60.0 ¹	594.0	IL	3G-SDI Level-A	YPbPr	4:2:2 10bit	
		3840 x 2160	135.0	60.0 ¹	594.0	SQ	3G-SDI Level-B	YPbPr	4:2:2 10bit	
		3840 x 2160	135.0	60.0 ¹	594.0	IL	3G-SDI Level-B	YPbPr	4:2:2 10bit	
	3840 x 2160/50p	3840 x 2160	112.5	50.0	594.0	SQ	3G-SDI Level-A	YPbPr	4:2:2 10bit	
		3840 x 2160	112.5	50.0	594.0	IL	3G-SDI Level-A	YPbPr	4:2:2 10bit	
		3840 x 2160	112.5	50.0	594.0	SQ	3G-SDI Level-B	YPbPr	4:2:2 10bit	
		3840 x 2160	112.5	50.0	594.0	IL	3G-SDI Level-B	YPbPr	4:2:2 10bit	
	4096 x 2160/24p	4096 x 2160	54.0	24.0 ¹	297.0	SQ	HD-SDI	YPbPr	4:2:2 10bit	
		4096 x 2160	54.0	24.0 ¹	297.0	SQ	3G-SDI Level-A	YPbPr	4:2:2 12bit	
		4096 x 2160	54.0	24.0 ¹	297.0	IL	3G-SDI Level-A	YPbPr	4:2:2 12bit	
		4096 x 2160	54.0	24.0 ¹	297.0	SQ	3G-SDI Level-B	YPbPr	4:2:2 12bit	
		4096 x 2160	54.0	24.0 ¹	297.0	IL	3G-SDI Level-B	YPbPr	4:2:2 12bit	
		4096 x 2160	54.0	24.0 ¹	297.0	SQ	3G-SDI Level-A	YPbPr	4:4:4 10bit	
		4096 x 2160	54.0	24.0 ¹	297.0	IL	3G-SDI Level-A	YPbPr	4:4:4 10bit	
		4096 x 2160	54.0	24.0 ¹	297.0	SQ	3G-SDI Level-B	YPbPr	4:4:4 10bit	
		4096 x 2160	54.0	24.0 ¹	297.0	IL	3G-SDI Level-B	YPbPr	4:4:4 10bit	
		4096 x 2160	54.0	24.0 ¹	297.0	SQ	3G-SDI Level-A	YPbPr	4:4:4 12bit	
		4096 x 2160	54.0	24.0 ¹	297.0	IL	3G-SDI Level-A	YPbPr	4:4:4 12bit	
		4096 x 2160	54.0	24.0 ¹	297.0	SQ	3G-SDI Level-B	YPbPr	4:4:4 12bit	
		4096 x 2160	54.0	24.0 ¹	297.0	IL	3G-SDI Level-B	YPbPr	4:4:4 12bit	
		4096 x 2160	54.0	24.0 ¹	297.0	SQ	3G-SDI Level-A	RGB	4:4:4 10bit	
		4096 x 2160	54.0	24.0 ¹	297.0	IL	3G-SDI Level-A	RGB	4:4:4 10bit	
		4096 x 2160	54.0	24.0 ¹	297.0	SQ	3G-SDI Level-B	RGB	4:4:4 10bit	
		4096 x 2160	54.0	24.0 ¹	297.0	IL	3G-SDI Level-B	RGB	4:4:4 10bit	
		4096 x 2160/25p	4096 x 2160	56.3	25.0	297.0	SQ	HD-SDI	YPbPr	4:2:2 10bit
			4096 x 2160	56.3	25.0	297.0	SQ	3G-SDI Level-A	YPbPr	4:2:2 12bit
			4096 x 2160	56.3	25.0	297.0	IL	3G-SDI Level-A	YPbPr	4:2:2 12bit
	4096 x 2160		56.3	25.0	297.0	SQ	3G-SDI Level-B	YPbPr	4:2:2 12bit	
	4096 x 2160		56.3	25.0	297.0	IL	3G-SDI Level-B	YPbPr	4:2:2 12bit	
	4096 x 2160		56.3	25.0	297.0	SQ	3G-SDI Level-A	YPbPr	4:4:4 10bit	
	4096 x 2160		56.3	25.0	297.0	IL	3G-SDI Level-A	YPbPr	4:4:4 10bit	
	4096 x 2160		56.3	25.0	297.0	SQ	3G-SDI Level-B	YPbPr	4:4:4 10bit	
	4096 x 2160		56.3	25.0	297.0	IL	3G-SDI Level-B	YPbPr	4:4:4 10bit	
	4096 x 2160		56.3	25.0	297.0	SQ	3G-SDI Level-A	YPbPr	4:4:4 12bit	
	4096 x 2160		56.3	25.0	297.0	IL	3G-SDI Level-A	YPbPr	4:4:4 12bit	
	4096 x 2160		56.3	25.0	297.0	SQ	3G-SDI Level-B	YPbPr	4:4:4 12bit	
	4096 x 2160		56.3	25.0	297.0	IL	3G-SDI Level-B	YPbPr	4:4:4 12bit	
	4096 x 2160		56.3	25.0	297.0	SQ	3G-SDI Level-A	RGB	4:4:4 10bit	
	4096 x 2160		56.3	25.0	297.0	IL	3G-SDI Level-A	RGB	4:4:4 10bit	
	4096 x 2160		56.3	25.0	297.0	SQ	3G-SDI Level-B	RGB	4:4:4 10bit	
	4096 x 2160		56.3	25.0	297.0	IL	3G-SDI Level-B	RGB	4:4:4 10bit	
	4096 x 2160/30p		4096 x 2160	67.5	30.0 ¹	297.0	SQ	HD-SDI	YPbPr	4:2:2 10bit
			4096 x 2160	67.5	30.0 ¹	297.0	SQ	3G-SDI Level-A	YPbPr	4:2:2 12bit
4096 x 2160			67.5	30.0 ¹	297.0	IL	3G-SDI Level-A	YPbPr	4:2:2 12bit	
4096 x 2160		67.5	30.0 ¹	297.0	SQ	3G-SDI Level-B	YPbPr	4:2:2 12bit		
4096 x 2160		67.5	30.0 ¹	297.0	IL	3G-SDI Level-B	YPbPr	4:2:2 12bit		
4096 x 2160		67.5	30.0 ¹	297.0	SQ	3G-SDI Level-A	YPbPr	4:4:4 10bit		
4096 x 2160		67.5	30.0 ¹	297.0	SQ	3G-SDI Level-A	YPbPr	4:4:4 10bit		
4096 x 2160		67.5	30.0 ¹	297.0	IL	3G-SDI Level-A	YPbPr	4:4:4 10bit		

Signal type	Signal name (SIGNAL FORMAT)	Resolution (Dots)	Scanning freq.		Dot clock freq. (MHz)	4K division	Format	Color format	Sampling	
			Horizontal (kHz)	Vertical (Hz)						
V	4096 x 2160/30p	4096 x 2160	67.5	30.0 ¹	297.0	SQ	3G-SDI Level-B	YPbPr	4:4:4 10bit	
		4096 x 2160	67.5	30.0 ¹	297.0	IL	3G-SDI Level-B	YPbPr	4:4:4 10bit	
		4096 x 2160	67.5	30.0 ¹	297.0	SQ	3G-SDI Level-A	YPbPr	4:4:4 12bit	
		4096 x 2160	67.5	30.0 ¹	297.0	IL	3G-SDI Level-A	YPbPr	4:4:4 12bit	
		4096 x 2160	67.5	30.0 ¹	297.0	SQ	3G-SDI Level-B	YPbPr	4:4:4 12bit	
		4096 x 2160	67.5	30.0 ¹	297.0	IL	3G-SDI Level-B	YPbPr	4:4:4 12bit	
		4096 x 2160	67.5	30.0 ¹	297.0	SQ	3G-SDI Level-A	RGB	4:4:4 10bit	
		4096 x 2160	67.5	30.0 ¹	297.0	IL	3G-SDI Level-A	RGB	4:4:4 10bit	
		4096 x 2160	67.5	30.0 ¹	297.0	SQ	3G-SDI Level-B	RGB	4:4:4 10bit	
		4096 x 2160	67.5	30.0 ¹	297.0	IL	3G-SDI Level-B	RGB	4:4:4 10bit	
		4096 x 2160	67.5	30.0 ¹	297.0	SQ	3G-SDI Level-A	RGB	4:4:4 12bit	
		4096 x 2160	67.5	30.0 ¹	297.0	IL	3G-SDI Level-A	RGB	4:4:4 12bit	
		4096 x 2160	67.5	30.0 ¹	297.0	SQ	3G-SDI Level-B	RGB	4:4:4 12bit	
		4096 x 2160	67.5	30.0 ¹	297.0	IL	3G-SDI Level-B	RGB	4:4:4 12bit	
	4096 x 2160/60p	4096 x 2160	135.0	60.0 ¹	594.0	SQ	3G-SDI Level-A	YPbPr	4:2:2 10bit	
		4096 x 2160	135.0	60.0 ¹	594.0	IL	3G-SDI Level-A	YPbPr	4:2:2 10bit	
		4096 x 2160	135.0	60.0 ¹	594.0	SQ	3G-SDI Level-B	YPbPr	4:2:2 10bit	
		4096 x 2160	135.0	60.0 ¹	594.0	IL	3G-SDI Level-B	YPbPr	4:2:2 10bit	
	4096 x 2160/50p	4096 x 2160	112.5	50.0	594.0	SQ	3G-SDI Level-A	YPbPr	4:2:2 10bit	
		4096 x 2160	112.5	50.0	594.0	IL	3G-SDI Level-A	YPbPr	4:2:2 10bit	
		4096 x 2160	112.5	50.0	594.0	SQ	3G-SDI Level-B	YPbPr	4:2:2 10bit	
			4096 x 2160	112.5	50.0	594.0	IL	3G-SDI Level-B	YPbPr	4:2:2 10bit

1 The signal with 1/1.001x vertical scanning frequency is also supported.

List of 3D compatible signals

The following table specifies the 3D compatible image signals that the projector can project.

This projector supports the signal with ✓ in the 3D compatible signal column.

- Abbreviations for input formats and 3D formats in the table have the following meanings.
 - FP: Frame packing format
 - SBS: Side by side format
 - TB: Top and bottom format
 - FS: Frame sequential format
 - H1-2: HDMI1 & HDMI2 input simultaneous format
 - HDMI/DP/DL: HDMI/DisplayPort/DIGITAL LINK

Signal name (SIGNAL FORMAT)	Resolution (Dots)	Scanning freq.		Dot clock freq. (MHz)	3D compatible signal						
		Horizontal (kHz)	Vertical (Hz)		HDMI/DP/DL ¹				H1-2	SDI ²	
					FP	SBS ³	TB	FS		SBS ³	TB
720/60p	1280 x 720	45.0	60.0	74.3	✓	✓	✓	–	✓	–	–
720/50p	1280 x 720	37.5	50.0	74.3	✓	✓	✓	–	✓	–	–
1080/60i	1920 x 1080i	33.8	60.0	74.3	–	✓	–	–	–	✓	–
1080/50i	1920 x 1080i	28.1	50.0	74.3	–	✓	–	–	–	✓	–
1080/24p	1920 x 1080	27.0	24.0	74.3	✓	✓	✓	–	✓	✓	✓
1080/24sF	1920 x 1080i	27.0	48.0	74.3	–	–	–	–	✓	–	–
1080/25p	1920 x 1080	28.1	25.0	74.3	–	–	–	–	✓	✓	✓
1080/30p	1920 x 1080	33.8	30.0	74.3	–	–	–	–	✓	✓	✓
1080/60p	1920 x 1080	67.5	60.0	148.5	–	✓	✓	–	✓	✓	✓
1080/50p	1920 x 1080	56.3	50.0	148.5	–	✓	✓	–	✓	✓	✓
1200 x 900/104	1200 x 900 ⁴	99.6	103.9	162.5	–	–	–	✓	–	–	–
1200 x 900/120	1200 x 900 ⁴	114.4	120.0	146.4	–	–	–	✓	–	–	–
1280 x 720/120	1280 x 720	92.6	120.0	161.6	–	–	–	✓	–	–	–
1920 x 1200/50	1920 x 1200	61.8	49.9	158.3	–	–	–	–	✓	–	–
1920 x 1200/60	1920 x 1200 ⁴	74.0	60.0	154.0	–	–	–	–	✓	–	–

1 This is supported when the optional DIGITAL LINK Terminal Board (Model No.: TY-SB01DL) is installed in the slot.

2 This is supported when the optional 12G-SDI Terminal Board (Model No.: TY-SB01QS) is installed in the slot.

3 Supports half.

4 VESA CVT-RB (Reduced Blanking)-compliant