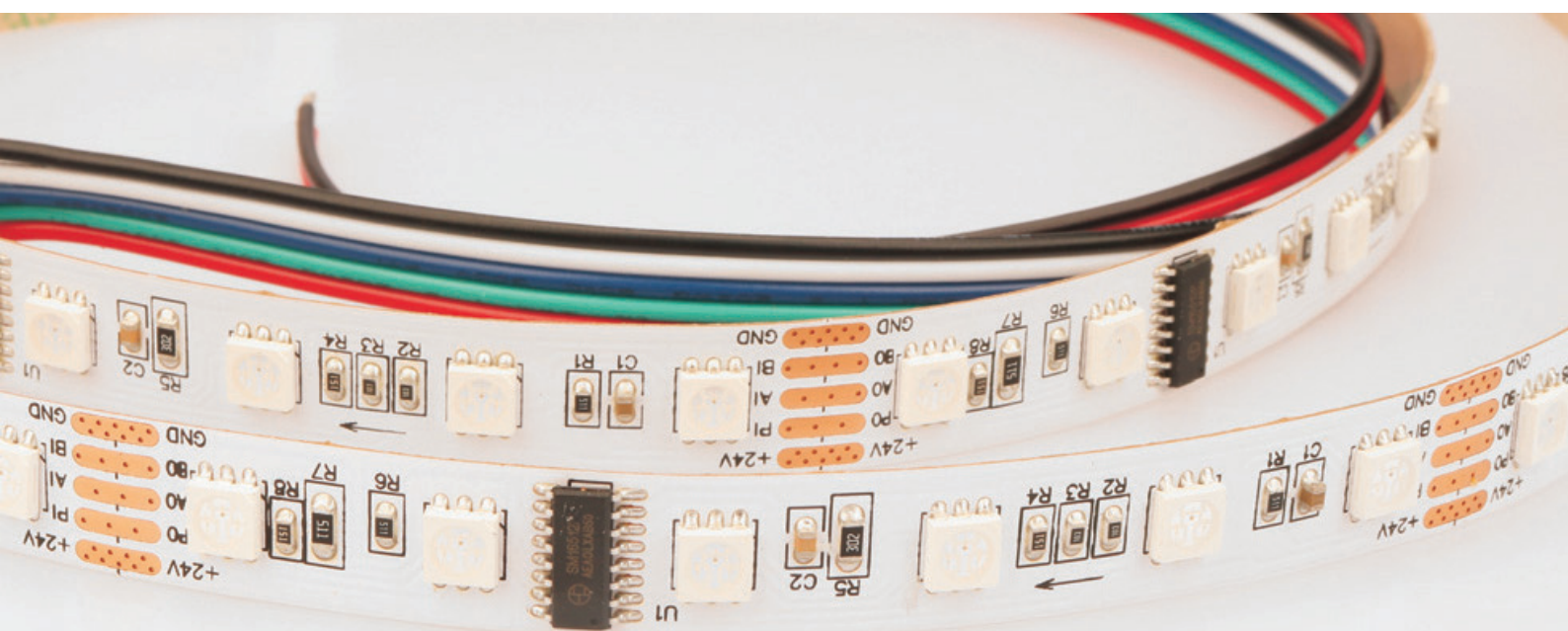


PROTECH LED

be creative



LED STRIP SPECIFICATION

AT-RGB-DMX-2



AT-RGB-DMX-2

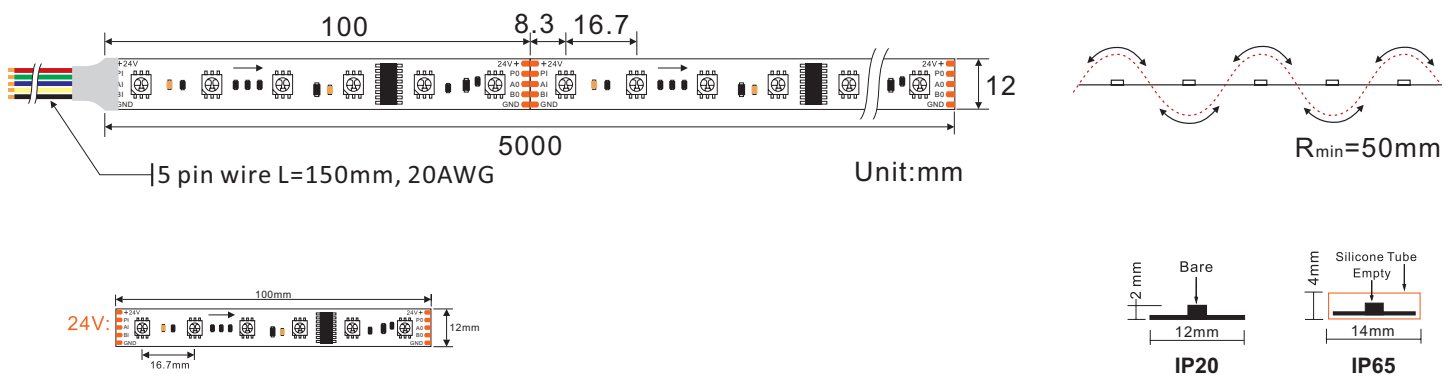
DESCRIPTION

DMX RGB LED strip lights let you create millions of colors by just mixing red, green, and blue colors. With the ability to control each individual pixel and each individual channel, the color mix and color effects possibilities are endless.



- Compatible with DMX512(1990) protocol.
- Adopting RS485 signal trunk and signal differential transmission mode to ensure stronger ability of anti-interference and longer transmission distance
- Auto matically addressing with editor

DIMENSIONS & WATERPROOF



PRODUCT SPECIFICATION

Dimension	5000x12x2mm	Voltage (V)	DC24V
Chip Type	5050SMD	Current (A/m)	0.6A
Chip Density	60LEDs/m	Power (W/m)	14.4W(3 colors 100% on)
Step LEDs	6LEDs	Beam Angle	120°
Step Length	100mm	Operation Temperature	-20°C~50°C

PRODUCT PHOTOMETRICS - RED, GREEN AND BLUE DIODES (DATA BASE ON IP20)

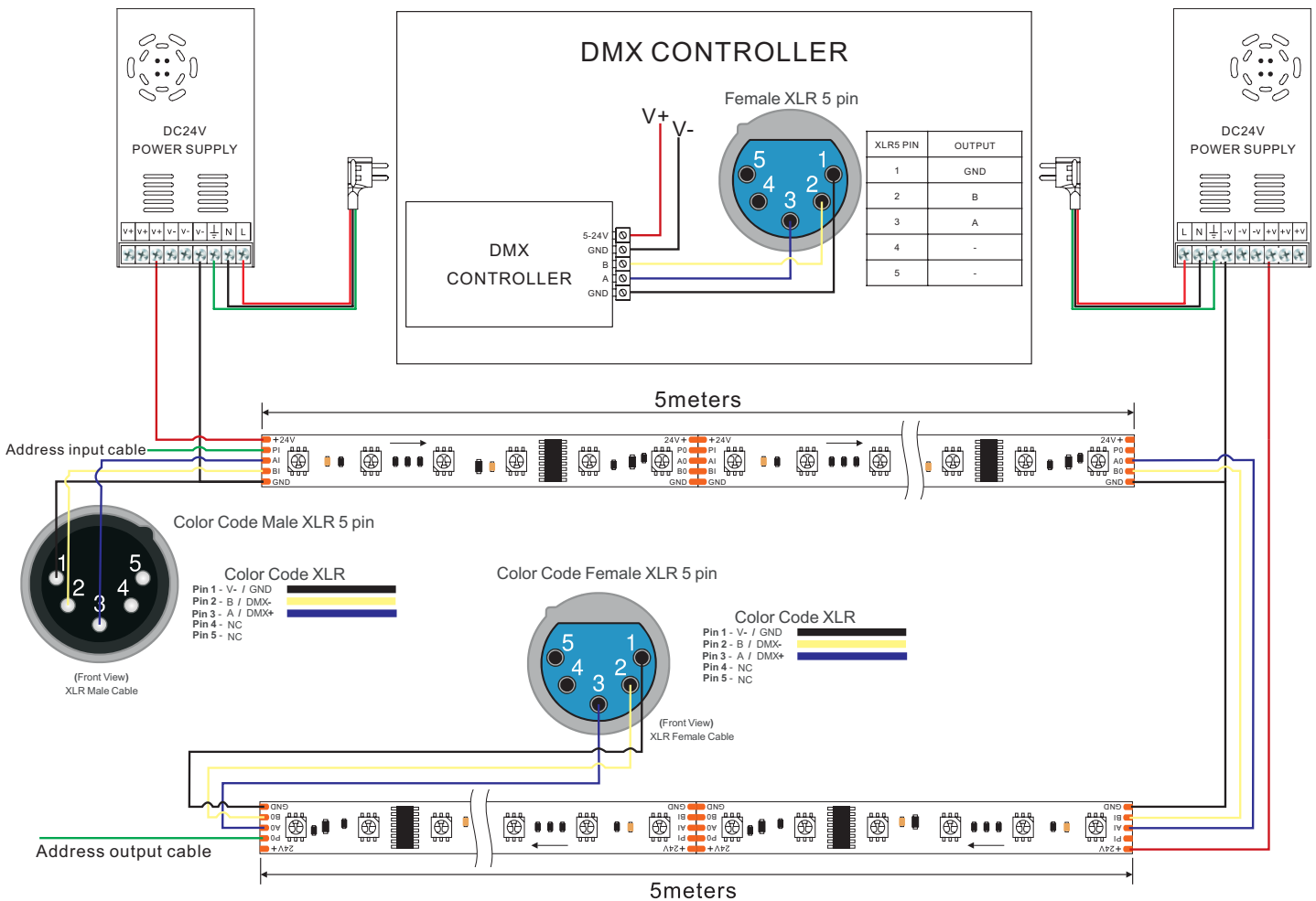
Color	Peak Wavelength (nm)	Dominant Wavelength (nm)	Lumen (lm/m)	Power (w/m)	Efficacy (lm/w)
RED	632	622	134.15	4.63	28.97
GREEN	517	523	433.40	5.04	85.99
BLUE	462	466	80.49	4.74	16.98

AT-RGB-DMX-2

PRODUCT PHOTOMETRICS - ALL RED, GREEN AND BLUE COLOR AT 100% ON (DATA BASE ON IP20)

CCT	Lumen (lm/m)	Power (w/m)	Efficacy (lm/w)	CRI	R9
42300	620	14.4	43.05	50	-

WIRING DIAGRAM



Important:

1. Regular DMX512 LED Strip not include the XLR connector, if need XLR connector, extra cost will be added.
2. If you want to change the starting address, you will need a DMX Address Editor, available on our website.