

# PROTECH LED

be creative



## SPECIFICATION

AT-W65-WALL-1



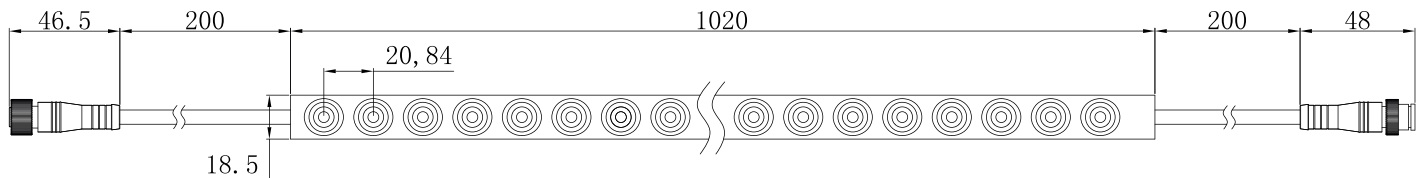
**AT-W65-WALL-1**

**INTRODUCTION**

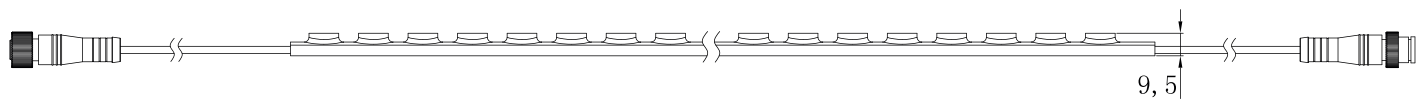
- Adopting TPU material, it's resistant to yellowing, high temperature, corrosion, weak acid and alkali, and has great flexibility.
- PU glue is used for filling and sealing, so that it has strong adhesion, good durability and high reliability.
- It can replace the traditional hard wall washer light or LED strip. It is small in size, light in weight, flexible and easy to install.
- Various beam angles (30°, 45°, 60°, 20\*45°) are available for different applications.
- With low voltage DC24V, higher safety factor.



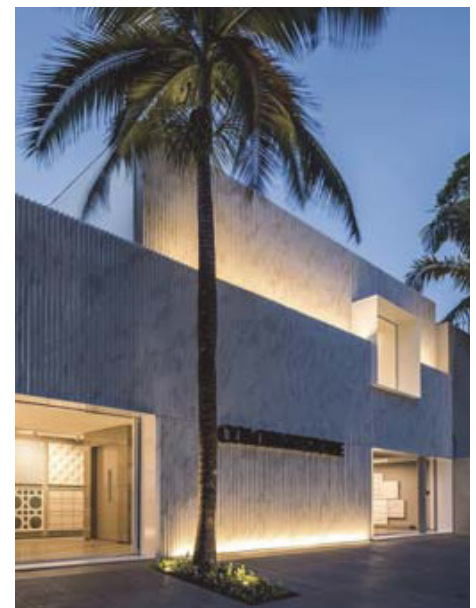
**DIMENSION**



The max. length for per roll is 5meters.

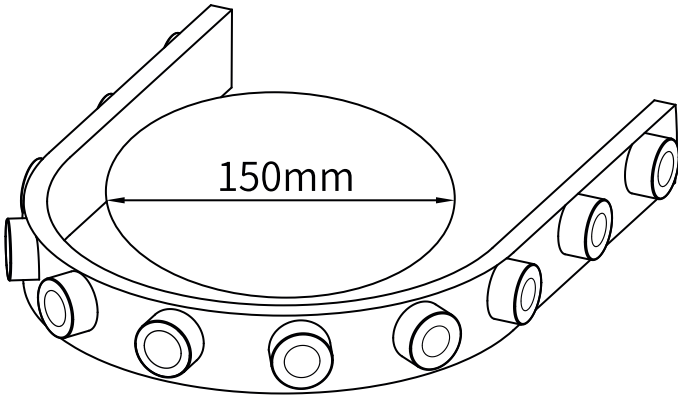


**APPLICATION**



**AT-W65-WALL-1**

**BENDING DIAMETER**



**ACCESSORY**



3M Tape



Plastic Holding Clips



Stainless Steel Mounting Clips



Aluminum Profile

**ELECTRICAL DATA**

Input Voltage	24V
Power	18W
CRI (Ra)	>90
Beam angle	30°/45°/60°/20*45°

LEDs /m	48LEDs
Working hour	50000h
Working temperature	-25°C~+45°C
Cutable length (mm)	125
IP Level	IP67

CCT	2700K ±100K	3000K ±100K	4000K ±200K	<b>6500K ±200K</b>
Lumen/m	1851LM	1915LM	2167LM	1949LM

