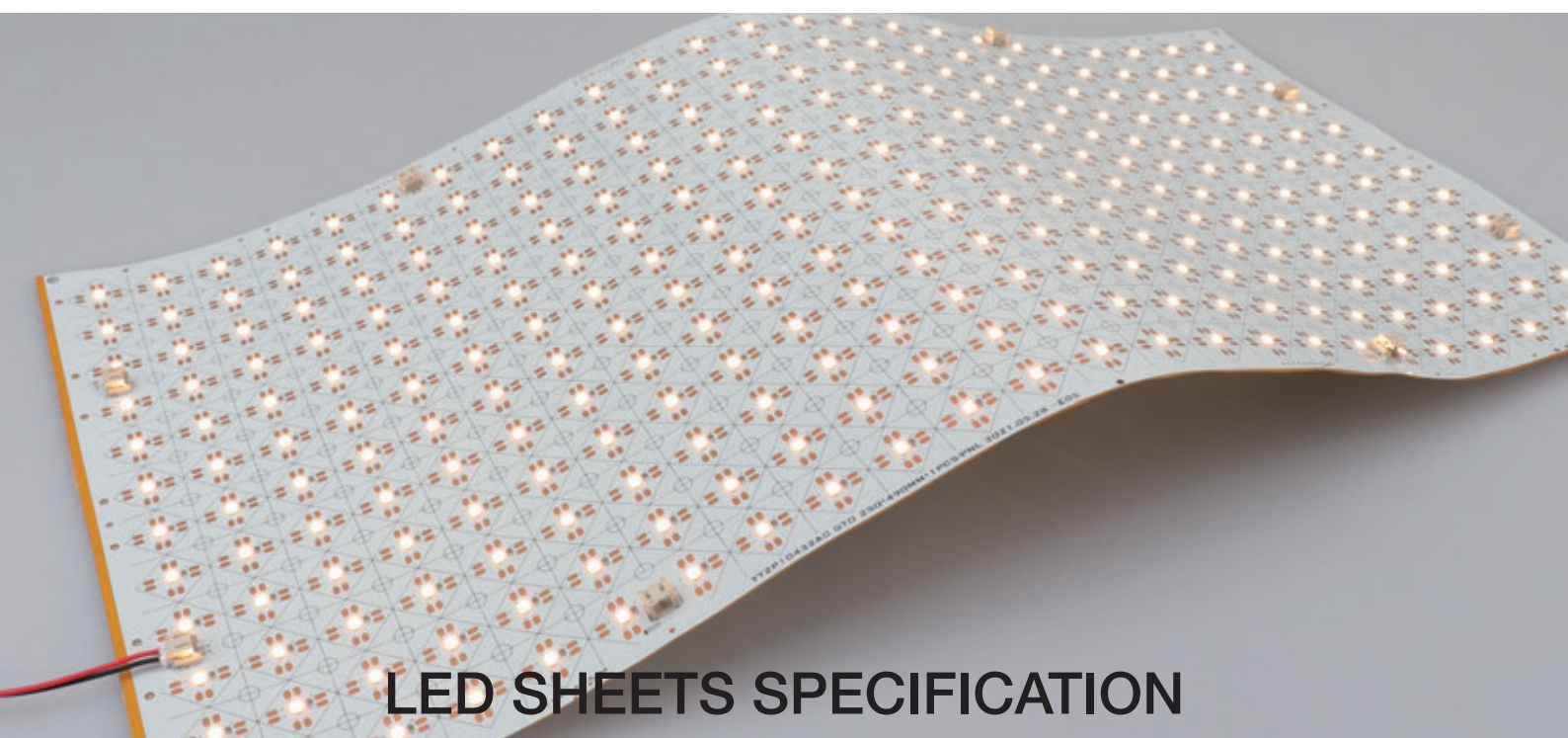


PROTECH LED

be creative



LED SHEETS SPECIFICATION

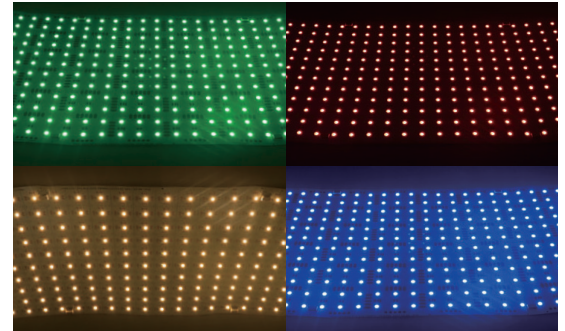
AT-SHEETS



AT-SHEETS

FEATURES

- 24 VDC input
- 80+ CRI
- Single white / tunable white / RGB / RGBW options
- Highly adaptable design accommodates virtually any application
- LED lifetime of 50,000 hours (L70)
- 3M adhesive backing
- Operating temperature of -4°–113° F (-20°–45° C)
- IP20 environmental rating



APPLICATIONS

Some common applications include sign lighting, bias lighting, cove lighting, task lighting, backlighting, accent lighting, and under cabinet lighting.

SINGLE WHITE PARAMETERS

	SIZE (mm)	TYPE	QTY (led/Sheet)	Segment (led/Seg)	Power (W/Sheet)	CRI	CCT	Lumen (lm/Sheet)	Efficacy (lm/w)
AT-W27-sht	480 x 240	SMD2835	288	1	30	Ra>90	2700K	2610	87
AT-W30-sht							3000K	2760	92
AT-W40-sht							4000K	2790	93
AT-W65-sht							6500K	2850	95

TUNABLE WHITE PARAMETERS

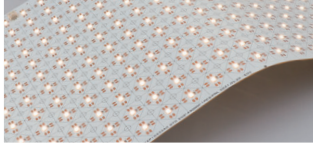
	SIZE (mm)	TYPE	QTY (led/Sheet)	Segment (led/Seg)	Power (W/Sheet)	CRI	CCT	Lumen (lm/Sheet)	Efficacy (lm/w)
AT-W24W65-sht	480 x 240	SMD2835	400	2	60	Ra>90	2400K	2604	87
							6500K	2844	95
							2400K + 6500K	5514	92

RGB PARAMETERS

	SIZE (mm)	TYPE	QTY (led/Sheet)	Segment (led/Seg)	Power (W/Sheet)	CRI	CCT	Lumen (lm/Sheet)	Efficacy (lm/w)
AT-RGB-sht	480 x 240	SMD5050	288	6	65	N/A	RGB	2775	35

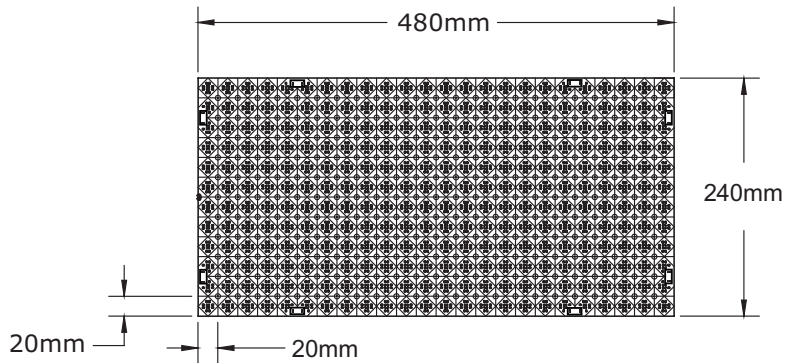
RGBW PARAMETERS

	SIZE (mm)	TYPE	QTY (led/Sheet)	Segment (led/Seg)	Power (W/Sheet)	CRI	CCT	Lumen (lm/Sheet)	Efficacy (lm/w)
AT-RGBW27-sht	480 x 240	SMD5050	288	6	90	Ra>80	RGB+2700K	3600	40
AT-RGBW30-sht							RGB+3000K	4050	45
AT-RGBW40-sht							RGB+4000K	4500	50
AT-RGBW65-sht							RGB+6500K	4860	54

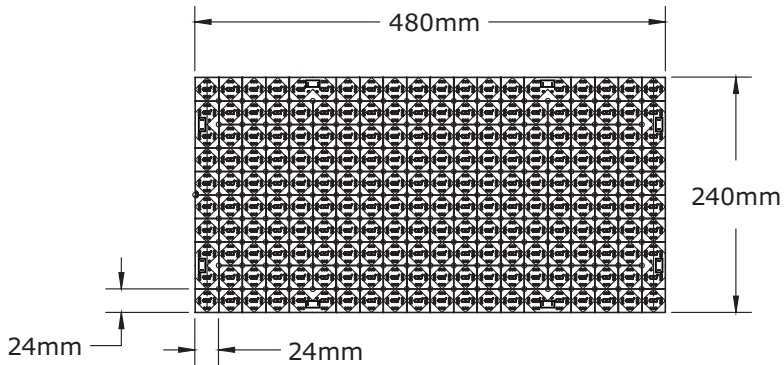


AT-SHEETS

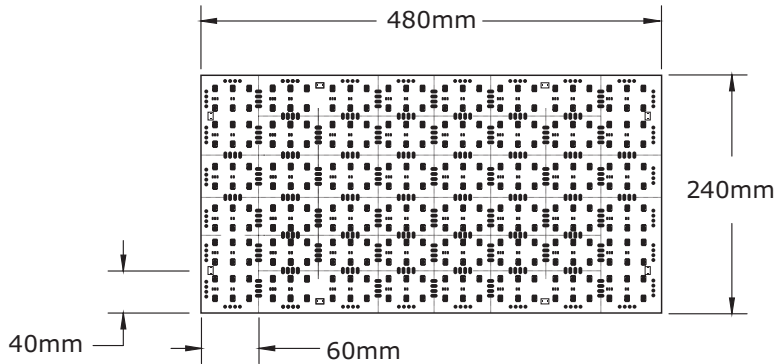
SINGLE WHITE DIMENSIONAL DRAWINGS



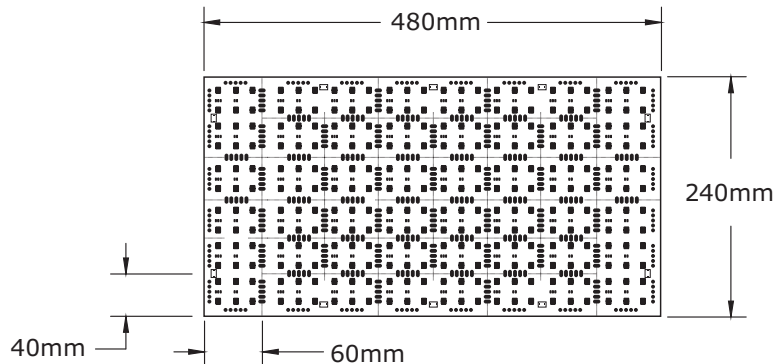
TUNABLE WHITE DIMENSIONAL DRAWINGS



RGB DIMENSIONAL DRAWINGS



RGBW DIMENSIONAL DRAWINGS

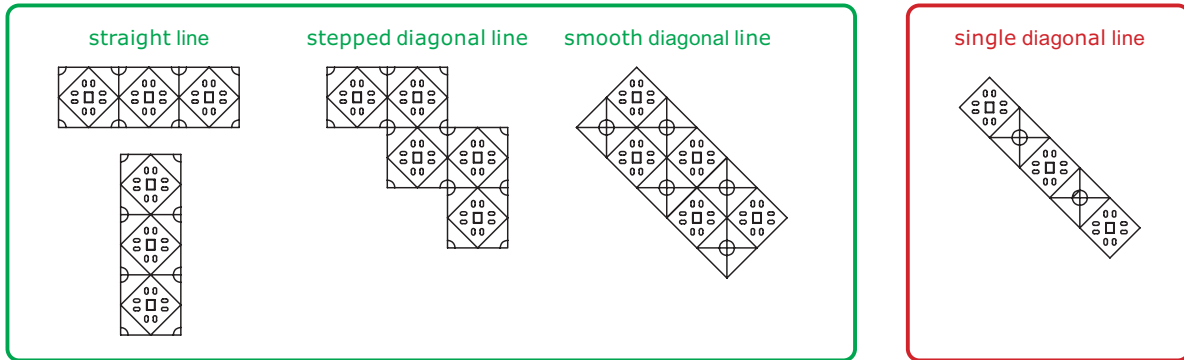


Note: The height for single white / tunable white is 1.5 mm, for RGB / RGBW is 2mm.

AT-SHEETS

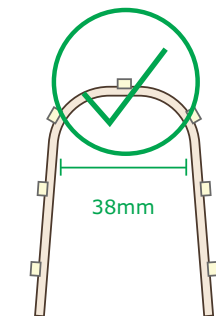
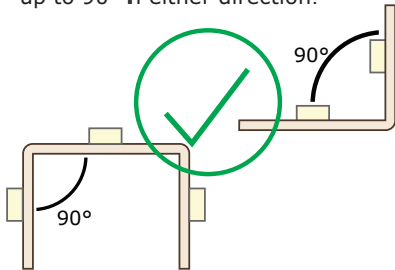
CUTTING SEGMENTS

Strip sheets can be cut into many custom shapes. When cutting strips, it is important to use only the pre-marked cut lines on the sheet and also to maintain electrical contact. The images below represent the smallest possible linear routing types. The green box represents strip routing types that work by preserving the electrical connection, and the one in red represents a routing type that will not function correctly due to interruptions of the electrical connection.

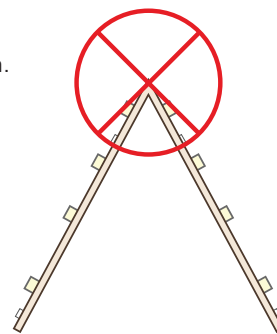


STRIP FLEXIBILITY

Hard bends can be made up to 90° in either direction.

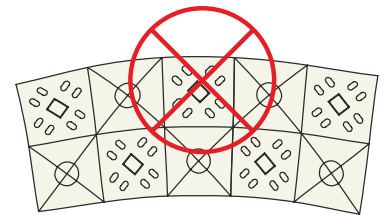


Soft bends less than 1.5 in. may damage circuit traces and void warranty.



Bending strips sheets or sections at sharp angles will damage circuit traces and void warranty.

Bending strip sheets or sections on horizontal plane will damage circuit traces and void warranty.



AT-SHEETS

STRIP SHEET SPECIFICATIONS

Below are examples of the types of shapes and patterns that can be made and linked as needed to fit nearly any application. The only limiting factor is max run, which can be easily extended by connecting additional power supplies 3. Additional power supplies can connect to any individual square LED segment anywhere in the run for maximum flexibility.

