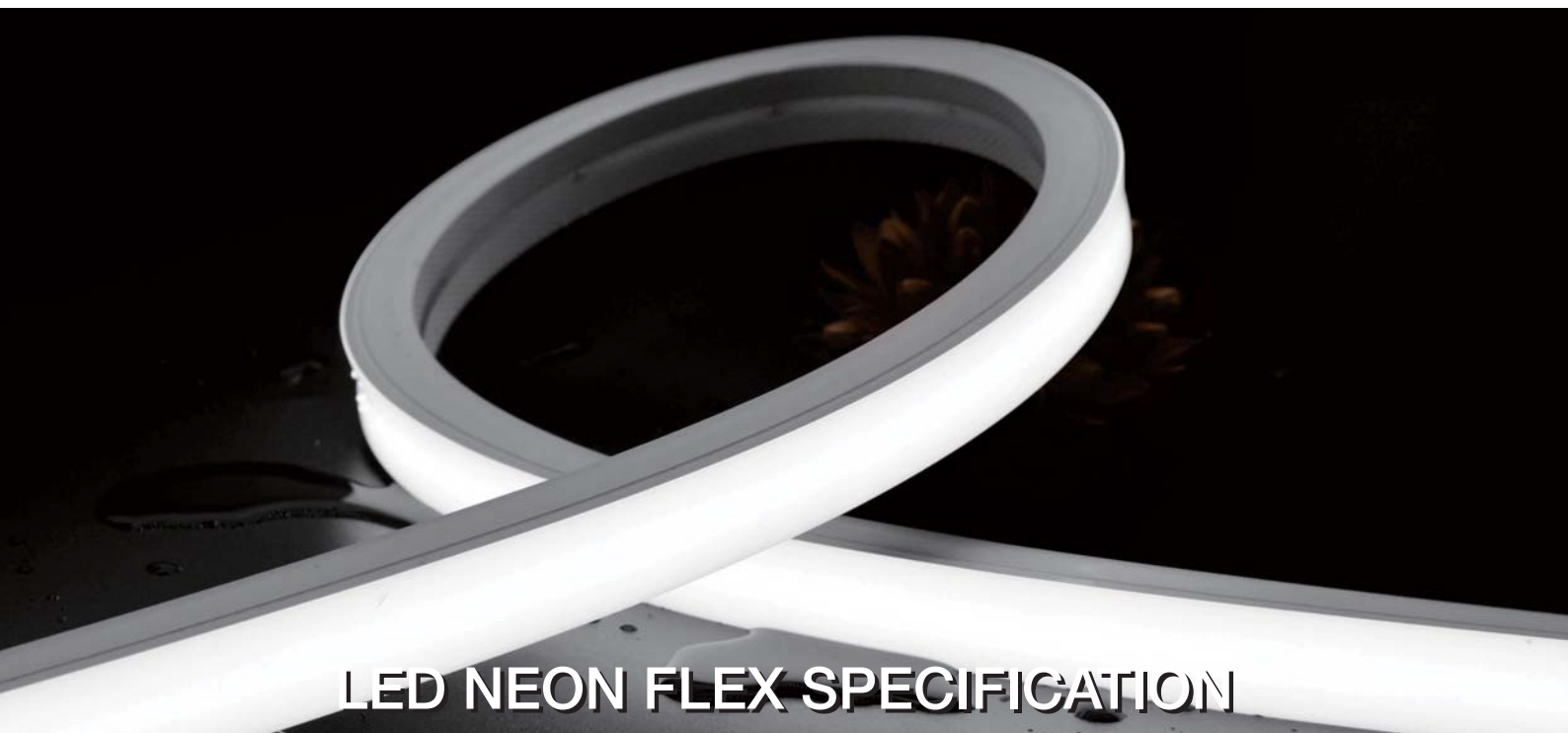


# PROTECH LED

be creative



## LED NEON FLEX SPECIFICATION

AN-T2016



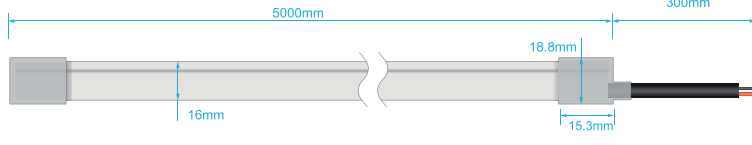
## AN-T2016

Regular power 12W/m, 16W/m and 20W/m for option  
 Max length 17 meters with one end power  
 Eight CCT optional from 2100K to 6000K

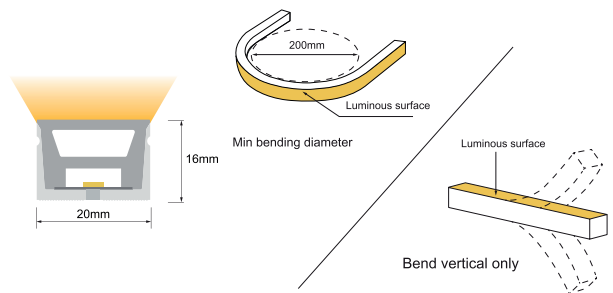
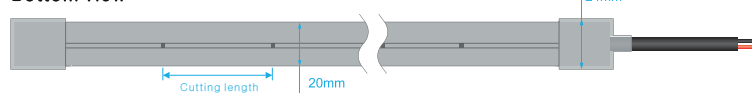


### DIMENSIONS & WATERPROOF

Side view



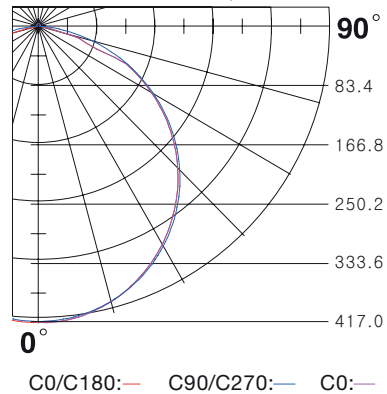
Bottom view



### PRODUCT SPECIFICATION

Voltage	DC24 V
CRI/Ra	>90
Ambient temperature	-25°C~45°C
Color Type	Cutting length (mm)
Single color	50 mm
Tunable white	50 mm
RGB color	62.5 mm
RGBW color	62.5 mm

### POLAR CURVE (The data base on 20W6000K)



### WHITE COLOR PARAMETERS

	CCT (K)	Low power (12w/m) (lm/m)	(12w/m) (max length)	Medium power (16w/m) (lm/m)	(16w/m) (max length)	High power (20w/m) (lm/m)	(20w/m) (max length)
W21	2000-2200K	608	17 m	792	14 m	942	12 m
W24	2300-2500K	651	17 m	837	14 m	1010	12 m
W27	2600-2800K	733	17 m	945	14 m	1136	12 m
W30	2900-3100K	724	17 m	937	14 m	1119	12 m
W35	3400-3700K	680	17 m	886	14 m	1058	12 m
W40	3800-4300K	783	17 m	1009	14 m	1220	12 m
W50	4800-5300K	773	17 m	997	14 m	1207	12 m
W60	5900-6400K	767	17 m	999	14 m	1185	12 m

## AN-T2016

### TUNABLE COLOR PARAMETERS

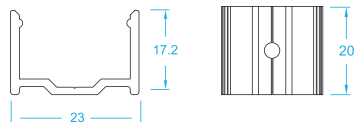
	CCT (K)	Low power (lm/m)	(12w/m) (max length)	Medium power (lm/m)	(16w/m) (max length)	High power (lm/m)	(20w/m) (max length)
TW	2500-2900K	384	5 m	498	5 m	617	5 m
TW	5000-5800K	395	5 m	524	5 m	642	5 m
TW	3500-4200K	785	5 m	1013	5 m	1258	5 m

### RGB & RGBW COLOR PARAMETERS

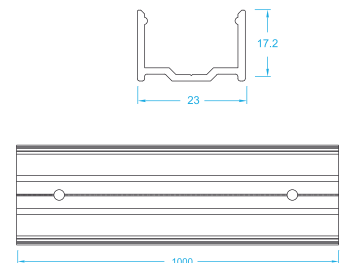
	Color	Low power (lm/m)	(12w/m) (max length)	Medium power (lm/m)	(16w/m) (max length)	High power (lm/m)	(20w/m) (max length)
R	Red	335.0	25 m	458.0	21 m	524.0	18 m
G	Green	788.0	17 m	973.0	14 m	1134.0	12 m
B	Blue	169.0	17 m	214.0	14 m	262.0	12 m
Y	Yellow	270.0	25 m	335.0	21 m	344.0	18 m
P	Pink	325.0	17 m	412.0	14 m	502.0	12 m
RGB	RGB	360.2	5 m	449.4	5 m	518.4	5 m
RGBW	RGBW	479.6	5 m	635.1	5 m	739.6	5 m

### MOUNTING ACCESSORY

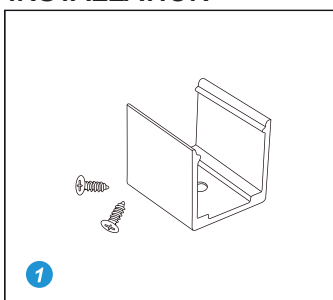
Aluminium Mounting clips



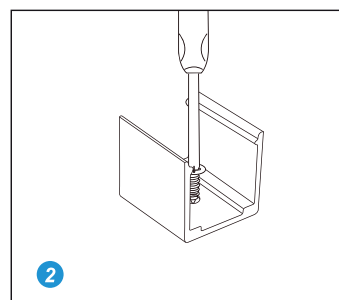
Aluminium Profile



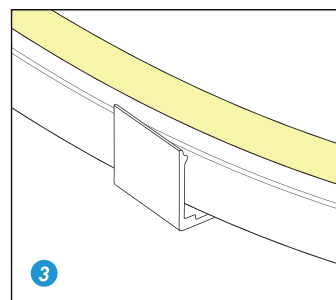
### INSTALLATION



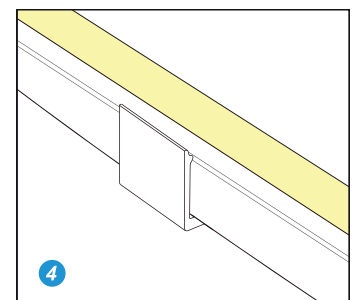
1 Prepare the screws and mounting clips



2 Adjust the fixed clips to the appropriate place, use a screwdriver to fix the screw.



3 Put the light emitting surface upwards, then insert the LED strip into the fixed clips.



4 Fix NEON strip completely into the fixed clip.

